

**EANCOM 2002 Syntax 4**  
**Edition 2016\_Update 2021**

Sales report  
(SLSRPT)

|                         |     |
|-------------------------|-----|
| Introduction.....       | 2   |
| Branching Diagram ..... | 4   |
| Message Structure.....  | 9   |
| Segmentlayout.....      | 10  |
| Codes .....             | 45  |
| Example.....            | 275 |

## Einführung

---

### Introduction

The following message specification is based on the publication of the "Sales Report Message" of GS1 Global in syntax 4.

#### Status

MESSAGE TYPE: SLSRPT  
REFERENCE DIRECTORY: D.01B  
EANCOM® SUBSET VERSION: 007

#### Definition

A message enabling companies to exchange or report electronically, basic sales data related to products or services, including the corresponding location, time period, product identification, pricing and quantity information.

It enables the recipient to process the information automatically and use it for production, marketing or statistical purposes.

#### Principles

The message relates either to a seller (with one or more outlets) and a supplier, headquarters, coordination or distribution centre or from a headquarters, coordination or distribution centre compiling information on its sales outlets and providing the data for statistical analysis to a third party, such as a marketing institute.

It allows the recipient to know for a specific product the:

- Location of the sale
- Period in which it was sold
- Product identification
- Product selling price, quantity and value of the sales
- Additional identification of the products such as promotional flags, product group or family identification and internal identification numbers
- Periodical Turnover of a specified location
- Global specified product sales, i.e. total sales of a product in all locations

Though the message is location driven, it is conceivable that the recipient can process the data to derive information based on other variables such as a specific product and all its related sales locations or weekly turnover category and all the related locations.

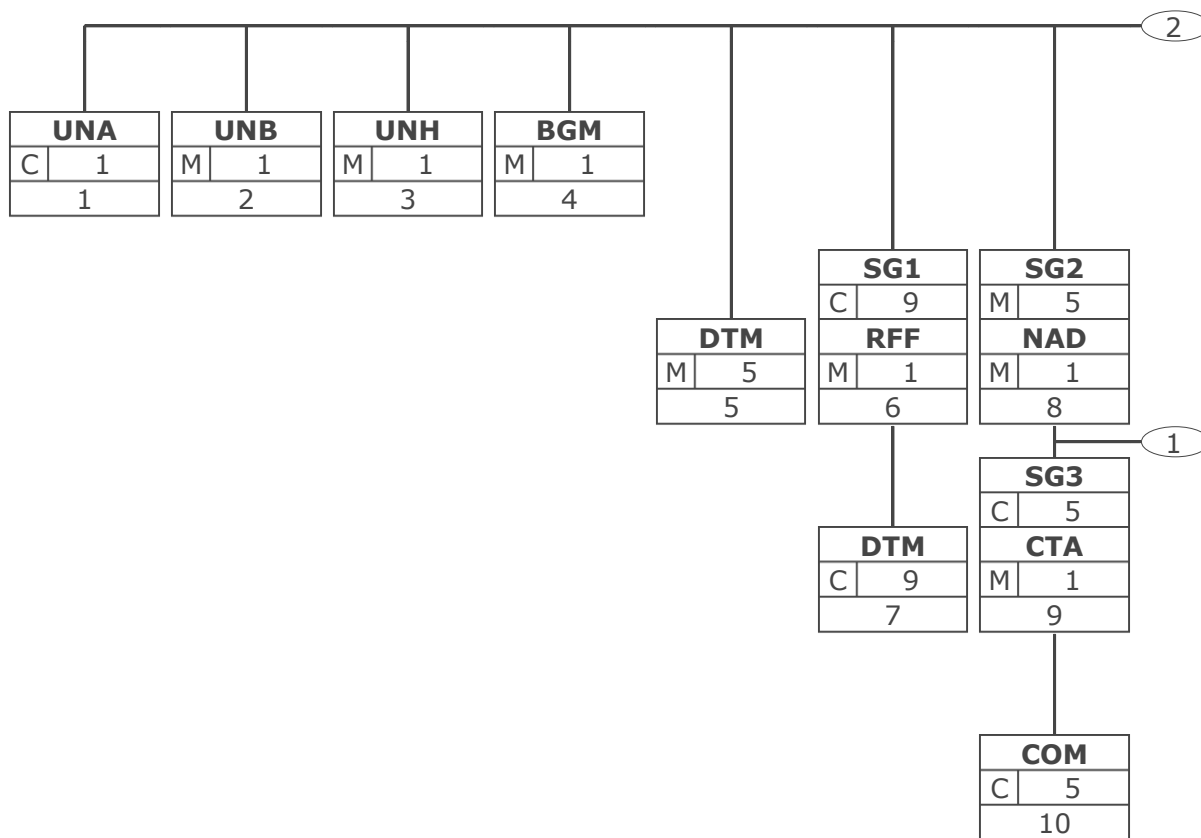
Due to the high volume of data that will be usually transmitted in the Sales Data Report message, it is highly recommended to only use codes for products and locations.

## **Einführung**

---

Irrespective of the sophistication of the sales data processing and trade partner agreements, the message should never be used to replace business transactions such as Purchase Orders, Delivery Schedules or Inventory Reports.

## Branching Diagram



|     |        |
|-----|--------|
| Tag |        |
| St  | MaxOcc |
| No  |        |

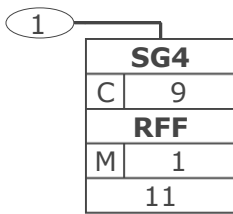
Tag = Segment/Group Tag

St = Status (M=Mandatory, C=Conditional, R=Required, O=Optional, A=Advised, D=Dependent)

MaxOcc = Maximum occurrence of the segment/group; No = Consecutive segment number

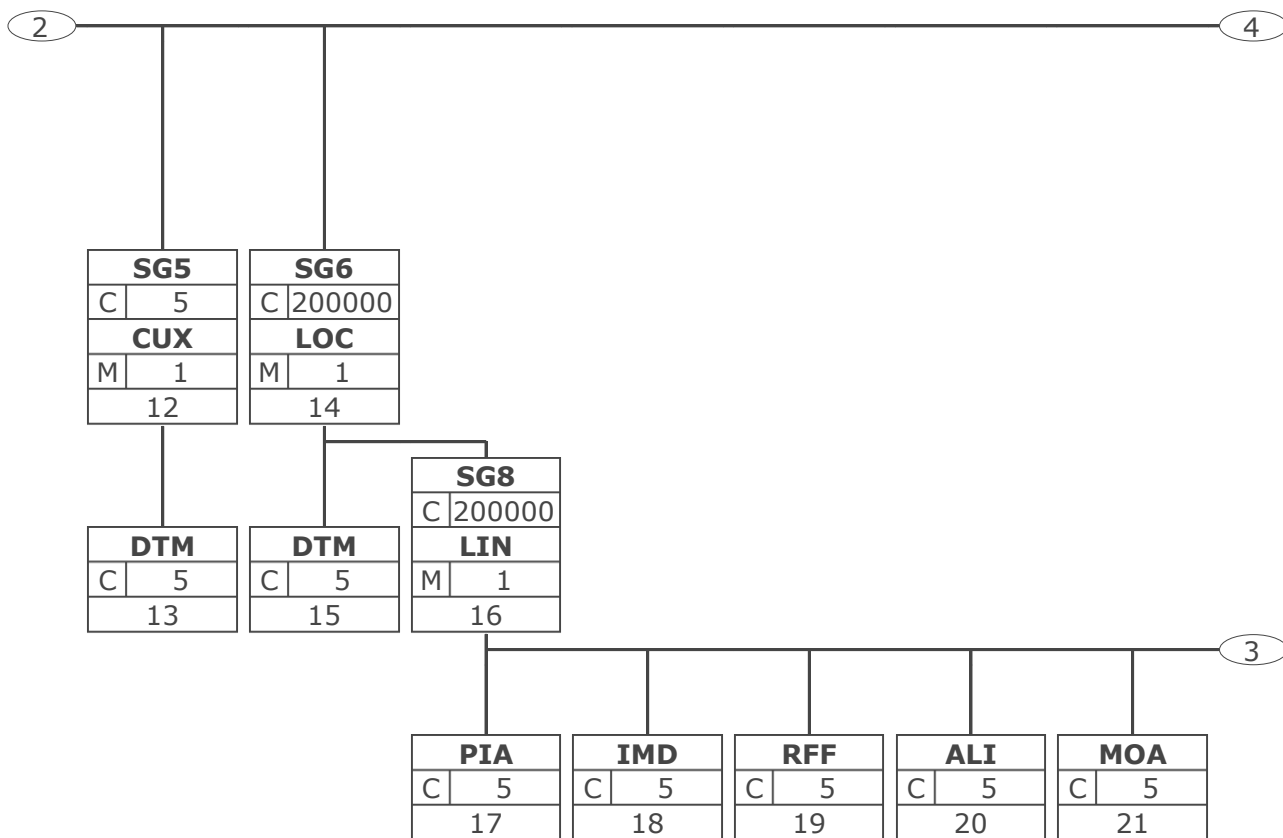
## Branching Diagram

---



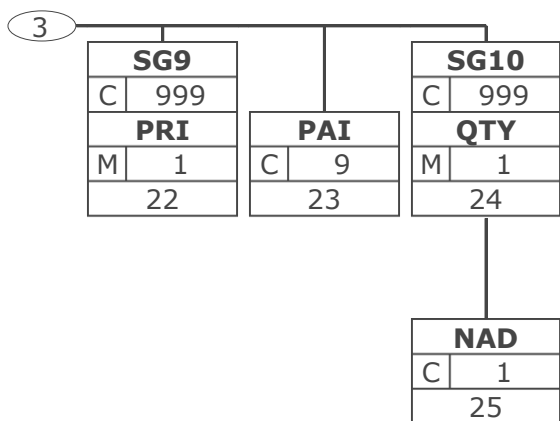
|     |   |
|-----|---|
| Tag | Tag = Segment/Group Tag   |
| St  | MaxOcc St = Status (M=Mandatory, C=Conditional, R=Required, O=Optional, A=Advised, D=Dependent) |
| No  | MaxOcc = Maximum occurrence of the segment/group; No = Consecutive segment number               |

## Branching Diagram



|             |  |
|-------------|--|
| Tag         | Tag = Segment/Group Tag  |
| St   MaxOcc | St = Status (M=Mandatory, C=Conditional, R=Required, O=Optional, A=Advised, D=Dependent) |
| No          | MaxOcc = Maximum occurrence of the segment/group; No = Consecutive segment number        |

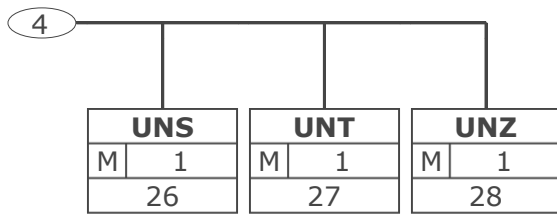
## Branching Diagram



|             |  |
|-------------|--|
| Tag         | Tag = Segment/Group Tag  |
| St   MaxOcc | St = Status (M=Mandatory, C=Conditional, R=Required, O=Optional, A=Advised, D=Dependent) |
| No          | MaxOcc = Maximum occurrence of the segment/group; No = Consecutive segment number        |

## Branching Diagram

---



|             |  |
|-------------|--|
| Tag         | Tag = Segment/Group Tag  |
| St   MaxOcc | St = Status (M=Mandatory, C=Conditional, R=Required, O=Optional, A=Advised, D=Dependent) |
| No          | MaxOcc = Maximum occurrence of the segment/group; No = Consecutive segment number        |



## Message Structure

| Seg.                                     | No. | Status | Max Occ | Segment                              |
|--|-----|--------|---------|--------------------------------------|
| UNA                                      | 1   | C      | 1       | Service string advice                |
| UNB                                      | 2   | M      | 1       | Interchange header                   |
| <b>Sales Data Report Heading Section</b> |     |        |         |                                      |
| UNH                                      | 3   | M      | 1       | Message header                       |
| BGM                                      | 4   | M      | 1       | Beginning of message                 |
| DTM                                      | 5   | M      | 5       | Date/time/period                     |
| SG1                                      |     | C      | 9       | RFF-DTM                              |
| RFF                                      | 6   | M      | 1       | Reference                            |
| DTM                                      | 7   | C      | 9       | Date/time/period                     |
| SG2                                      |     | M      | 5       | NAD-SG3-SG4                          |
| NAD                                      | 8   | M      | 1       | Name and address                     |
| SG3                                      |     | C      | 5       | CTA-COM                              |
| CTA                                      | 9   | M      | 1       | Contact information                  |
| COM                                      | 10  | C      | 5       | Communication contact                |
| SG4                                      |     | C      | 9       | RFF                                  |
| RFF                                      | 11  | M      | 1       | Reference                            |
| SG5                                      |     | C      | 5       | CUX-DTM                              |
| CUX                                      | 12  | M      | 1       | Currencies                           |
| DTM                                      | 13  | C      | 5       | Date/time/period                     |
| <b>Sales Data Report Detail Section</b>  |     |        |         |                                      |
| SG6                                      |     | C      | 200000  | LOC-DTM-SG8                          |
| LOC                                      | 14  | M      | 1       | Place/location identification        |
| DTM                                      | 15  | C      | 5       | Date/time/period                     |
| SG8                                      |     | C      | 200000  | LIN-PIA-IMD-RFF-ALI-MOA-SG9-PAI-SG10 |
| LIN                                      | 16  | M      | 1       | Line item                            |
| PIA                                      | 17  | C      | 5       | Additional product id                |
| IMD                                      | 18  | C      | 5       | Item description                     |
| RFF                                      | 19  | C      | 5       | Reference                            |
| ALI                                      | 20  | C      | 5       | Additional information               |
| MOA                                      | 21  | C      | 5       | Monetary amount                      |
| SG9                                      |     | C      | 999     | PRI                                  |
| PRI                                      | 22  | M      | 1       | Price details                        |
| PAI                                      | 23  | C      | 9       | Payment instructions                 |
| SG10                                     |     | C      | 999     | QTY-NAD                              |
| QTY                                      | 24  | M      | 1       | Quantity                             |
| NAD                                      | 25  | C      | 1       | Name and address                     |
| <b>Sales Data Report Summary Section</b> |     |        |         |                                      |
| UNS                                      | 26  | M      | 1       | Section control                      |
| UNT                                      | 27  | M      | 1       | Message trailer                      |
| UNZ                                      | 28  | M      | 1       | Interchange trailer                  |

Max. Occ. = Maximum occurrence of the segment/group, Status: M=Mandatory, C=Conditional, R=Required, O=Optional, A=Advised, D=Dependent

## Segment Layout

| No. Seg   | St         | Max. Occ.                        |                       |    |   |  |
|---|------------|----------------------------------|-----------------------|----|---|--|
| 1   | <b>UNA</b> | C 1                              | Service string advice |    |   |  |
| The service string advice shall begin with the upper case characters UNA immediately followed by six characters in the order shown below. The space character shall not be used in positions 010, 020, 040, 050 or 060. The same character shall not be used in more than one position of the UNA.  |            |                                  |                       |    |   |  |
| Business Term   | DE         | EDIFACT                          | Format                | St | * | Description  |
|   | UNA1       | Component data element separator | an1                   | M  | * | Used as a separator between component data elements contained within a composite data element (default value: ":") |
|   | UNA2       | Data element separator           | an1                   | M  | * | Used to separate two simple or composite data elements (default value: "+" )                                       |
|   | UNA3       | Decimal mark                     | an1                   | M  | * | Used to indicate the character used for decimal notation (default value: ".")                                      |
|   | UNA4       | Release character                | an1                   | M  | * | Used to restore any service character to its original specification (value: "?").                                  |
|   | UNA5       | Repetition separator             | an1                   | M  | * | Used to indicate the character used for repetition separation (value: " * " ).                                     |
|   | UNA6       | Segment terminator               | an1                   | M  | * | Used to indicate the end of segment data (default value: "' ")   |
| <p>This segment is used to inform the receiver of the interchange that a set of service string characters which are different to the default characters are being used.</p> <p>When using the default set of service characters, the UNA segment need not be sent. If it is sent, it must immediately precede the UNB segment and contain the four service string characters (positions UNA1, UNA2, UNA4 and UNA6) selected by the interchange sender.</p> <p>Regardless of whether or not all of the service string characters are being changed every data element within this segment must be filled, (i.e., if some default values are being used with user defined ones, both the default and user defined values must be specified).</p> <p>When expressing the service string characters in the UNA segment, it is not necessary to include any element separators.</p> <p>The use of the UNA segment is required when using a character set other than level A.</p> <p>Example: UNA:+. ?*'</p> <p>Example: UNA:+. ?*'</p> |            |                                  |                       |    |   |  |

Max. Occ. = Maximum Occurrence, St = Status, \* = Restricted Codes

Status: M=Mandatory, R=Required, O=Optional, C=Conditional, D=Dependent, A=Advised, N=Not used

## Segment Layout

| No. Seg   | St         | Max. Occ.                                     |                    |    |   |
|---|------------|---|--------------------|----|---|
| 2   | <b>UNB</b> | M 1   | Interchange header |    |   |
| To identify an interchange.   |            |   |                    |    |   |
| Notes:  |            |   |                    |    |   |
| 1. S001/0002, shall be '4' to indicate this version of the syntax.  |            |   |                    |    |   |
| 2. The combination of the values carried in data elements S002, S003 and 0020 shall be used to identify uniquely the interchange, for the purpose of acknowledgement. |            |   |                    |    |   |
| Business Term   | DE         | EDIFACT                                       | Format             | St | * Description   |
|   | S001       | Syntax identifier                             |                    | M  | See Part I chapter 5.2.7 and segment notes.   |
|   | 0001       | Syntax identifier                             | a4                 | M  | *<br>UNOA UN/ECE level A<br>UNOB UN/ECE level B<br>UNOC UN/ECE level C<br>UNOD UN/ECE level D<br>UNOE UN/ECE level E<br>UNOF UN/ECE level F<br>UNOG UN/ECE level G<br>UNOH UN/ECE level H<br>UNOI UN/ECE level I<br>UNOJ UN/ECE level J<br>UNOK UN/ECE level K<br>UNOW UN/ECE level W<br>UNOX UN/ECE level X<br>UNOY UN/ECE level Y |
|   | 0002       | Syntax version number                         | an1                | M  | *<br>4 Version 4  |
|   | S002       | Interchange sender                            |                    | M  |   |
|   | 0004       | Interchange sender identification             | an..35             | M  | GLN (n13)   |
|   | 0007       | Identification code qualifier                 | an..4              | R  | *<br>14 GS1   |
|   | 0008       | Interchange sender internal identification    | an..35             | O  |   |
|   | S003       | Interchange recipient                         |                    | M  |   |
|   | 0010       | Interchange recipient identification          | an..35             | M  | GLN (n13)   |
|   | 0007       | Identification code qualifier                 | an..4              | R  | *<br>14 GS1   |
|   | 0014       | Interchange recipient internal identification | an..35             | O  |   |
|   | S004       | Date and time of preparation                  |                    | M  |   |
|   | 0017       | Date  | n8                 | M  | CCYYMMDD  |
|   | 0019       | Time  | n4                 | M  | HHMM  |
|   | 0020       | Interchange control reference                 | an..14             | M  | Unique reference identifying the interchange. Created by the interchange sender.  |
|   | S005       | Recipient reference/ password details         |                    | O  |   |

Max. Occ. = Maximum Occurrence, St = Status, \* = Restricted Codes

Status: M=Mandatory, R=Required, O=Optional, C=Conditional, D=Dependent, A=Advised, N=Not used

## Segment Layout

| Business Term | DE   | EDIFACT                                    | Format | St | * | Description  |
|---------------|------|--|--------|----|---|--|
|               | 0022 | Recipient reference/<br>password           | an..14 | M  |   |  |
|               | 0025 | Recipient reference/<br>password qualifier | an2    | O  |   |  |
|               | 0026 | Application reference                      | an..14 | O  |   | Message identification if the interchange contains only one type of message. |
|               | 0029 | Processing priority code                   | a1     | O  |   | A Highest priority   |
|               | 0031 | Acknowledgement request                    | n1     | O  |   | 1 Requested  |
|               | 0032 | Interchange agreement identifier           | an..35 | O  | * | EANCOM.....  |
|               | 0035 | Test indicator                             | n1     | O  |   | 1 Interchange is a test  |

This segment is used to envelope the interchange, as well as to identify both, the party to whom the interchange is sent and the party who has sent the interchange. The principle of the UNB segment is the same as a physical envelope which covers one or more letters or documents, and which details, both the address where delivery is to take place and the address from where the envelope has come.

S001: The character encoding specified in basic code table of ISO/IEC 646 (7-bit coded character set for information interchange) shall be used for the interchange service string advice (if used) and up to and including the composite data element S001 'Syntax identifier' in the interchange header. The character repertoire used for the characters in an interchange shall be identified from the code value of data element 0001 in S001 'Syntax identifier' in the interchange header. The character repertoire identified does not apply to objects and/or encrypted data.

The default encoding technique for a particular repertoire shall be the encoding technique defined by its associated character set specification.

DE 0001: The recommended (default) character set for use in EANCOM® for international exchanges is character set A (UNOA). Should users wish to use character sets other than A, an agreement on which set to use should be reached on a bilateral basis before communications begin.

DE 0004, 0008, 0010 and 0014: Within EANCOM® the use of the Global Location Number (GLN) is recommended for the identification of the interchange sender and recipient.

DE 0008: Identification (e.g. a division) specified by the sender of the interchange, to be included if agreed, by the recipient in response interchanges, to facilitate internal routing.

DE 0014: The address for routing, provided beforehand by the interchange recipient, is used by the interchange sender to inform the recipient of the internal address, within the latter's systems, to which the interchange should be routed. It is recommended that the GLN be used for this purpose.

DE 0007: Identification (e.g. a division) specified by the recipient of the interchange, to be included if agreed, by the sender in response interchanges, to facilitate internal routing.

DE S004: The date and time specified in this composite should be the date and time at which the interchange sender prepared the interchange. This date and time may not necessarily be the same as the date and time of contained messages.

DE 0020: The interchange control reference number is generated by the interchange sender and is used to identify uniquely each interchange. Should the interchange sender wish to re-use interchange control reference numbers, it is recommended that each number be preserved for at least a period of three months before being re-used. In order to guarantee uniqueness, the interchange control reference number should always be linked to the interchange sender's identification (DE 0004).

DE S005: The use of passwords must first be agreed bilaterally by the parties exchanging the

Max. Occ. = Maximum Occurrence, St = Status, \* = Restricted Codes

Status: M=Mandatory, R=Required, O=Optional, C=Conditional, D=Dependent, A=Advised, N=Not used

## Segment Layout

interchange.

DE 0026: This data element is used to identify the application, on the interchange recipient's system, to which the interchange is directed. This data element may only be used if the interchange contains only one type of message, (e.g. only invoices). The reference used in this data element is assigned by the interchange sender.

DE 0031: This data element is used to indicate whether an acknowledgement to the interchange is required. The EANCOM® APERAK or CONTRL message should be used to provide acknowledgement of interchange receipt. In addition, the EANCOM® CONTRL message may be used to indicate when an interchange has been rejected due to syntax errors.

DE 0032: This data element is used to identify any underlying agreements which control the exchange of data. Within EANCOM®, the identity of such agreements must start with the letters 'EANCOM', the remaining characters within the data element being filled according to bilateral agreements.

Example: UNB+UNOA:4+4012345000009:14:1+4000004000002:14:4000004000099+20151013:1043+1234555  
5+REF:AA++A+1+EANCOM-DISI+1'

Example: UNB+UNOC:4+5412345678908:14+8798765432106:14+20020102:1000+12345555+++++EANCOMREF  
52'

Max. Occ. = Maximum Occurrence, St = Status, \* = Restricted Codes

Status: M=Mandatory, R=Required, O=Optional, C=Conditional, D=Dependent, A=Advised, N=Not used

## Segment Layout

| No.  | Seg        | St                                 | Max. Occ. |  |   |  |
|--|------------|------------------------------------|-----------|--|---|--|
| 3  | <b>UNH</b> | M                                  | 1         | Message header<br>To head, identify and specify a message. |   |  |
| Notes:   |            |                                    |           |  |   |  |
| 1. Data element S009/0057 is retained for upward compatibility. The use of S016 and/or S017 is encouraged in preference.   |            |                                    |           |  |   |  |
| 2. The combination of the values carried in data elements 0062 and S009 shall be used to identify uniquely the message within its group (if used) or if not used, within its interchange, for the purpose of acknowledgement.  |            |                                    |           |  |   |  |
| Business Term  | DE         | EDIFACT                            | Format    | St   | * | Description  |
|  | 0062       | Message reference number           | an..14    | M  |   | Senders unique message reference. Sequence numbers of messages in the interchange, DE 0062 in the UNT will have the same value. Generated by the sender. |
|  | S009       | Message identifier                 |           | M  |   |  |
|  | 0065       | Message type                       | an..6     | M  | * | SLSRPT   |
|  | 0052       | Message version number             | an..3     | M  | * | D Draft version/<br>UN/EDIFACT<br>Directory  |
|  | 0054       | Message release number             | an..3     | M  | * | 01B Release 2001 - B   |
|  | 0051       | Controlling agency, coded          | an..3     | M  | * | UN UN/CEFACT   |
|  | 0057       | Association assigned code          | an..6     | R  | * | EAN007 GS1 version control number (GS1 Permanent Code)   |
|  | 0110       | Code list directory version number | an..6     | O  |   |  |
| <p>This segment is used to head, identify and specify a message.<br/>DE's 0065, 0052, 0054, and 0051: Indicate that the message is a Sales Data Report based on the EDIFACT D.01B directory under the control of the United Nations.<br/>Example:<br/>Example: UNH+1+SLSRPT:D:01B:UN:EAN007:X'<br/>Example: UNH+ME000001+SLSRPT:D:01B:UN:EAN007'</p> |            |                                    |           |  |   |  |

Max. Occ. = Maximum Occurrence, St = Status, \* = Restricted Codes

Status: M=Mandatory, R=Required, O=Optional, C=Conditional, D=Dependent, A=Advised, N=Not used

**Segment Layout**

| No. Seg   | St         | Max. Occ.                         |  |    |   |  |
|---|------------|-----------------------------------|--|----|---|--|
| 4   | <b>BGM</b> | M 1                               | Beginning of message<br>To indicate the type and function of a message and to transmit the identifying number. |    |   |  |
| Business Term   | DE         | EDIFACT                           | Format   | St | * | Description  |
|   | C002       | Document/message name             |  | R  |   |  |
|   | 1001       | Document name code                | an..3  | R  | * | 735 Sales data report  |
|   | 1131       | Code list identification code     | an..17   | N  |   |  |
|   | 3055       | Code list responsible agency code | an..3  | R  | * | 9 GS1  |
|   | 1000       | Document name                     | an..35   | O  |   |  |
|   | C106       | Document/message identification   |  | R  |   |  |
|   | 1004       | Document identifier               | an..35   | R  |   | Sales Data Report number assigned by the document sender.                            |
|   | 1225       | Message function code             | an..3  | R  | * | 1 Cancellation<br>2 Addition<br>5 Replace<br>6 Confirmation<br>9 Original<br>31 Copy |
| <p>This segment is used to indicate the type and function of a message and to transmit the identifying number.<br/>All references other than the document number DE 1004 are in the RFF segment (segment group 1).<br/>Example:<br/>Example: BGM+735::9:1+1+1'<br/>Example: BGM+73E::9+SDR1568+9'</p> |            |                                   |  |    |   |  |

Max. Occ. = Maximum Occurrence, St = Status, \* = Restricted Codes

Status: M=Mandatory, R=Required, O=Optional, C=Conditional, D=Dependent, A=Advised, N=Not used

## Segment Layout

| No. Seg  | St         | Max. Occ.   |  |    |   |  |
|--|------------|---|--|----|---|--|
| 5  | <b>DTM</b> | M 5   | Date/time/period<br>To specify date, and/or time, or period. |    |   |  |
| Business Term  | DE         | EDIFACT   | Format   | St | * | Description  |
|  | C507       | Date/time/period                                  |  | M  |   |  |
|  | 2005       | Date or time or period<br>function code qualifier | an..3  | M  | * | 90 Report start date<br>91 Report end date<br>137 Document/<br>message date/<br>time<br>356 Sales date, and or<br>time, and or<br>period |
|  | 2380       | Date or time or period<br>value                   | an..35   | R  |   |  |
|  | 2379       | Date or time or period<br>format code             | an..3  | R  |   | 102 CCYYMMDD<br>203 CCYYMMDDHHMM<br>718 CCYYMMDD-<br>CCYYMMDD  |
| <p>This segment is used to specify the date or period of the sales data report.<br/> DE 2005: Identification of the 'Document/message date/time' (code value 137) is mandatory in an EANCOM message.<br/> Example:<br/> The sales data report is dated the 5th November 2002.<br/> The period in which the sales took place is between the 1st October 2002 and the 31st October 2002.</p> <p>Example: DTM+137:19931103:102'<br/> Example: DTM+137:20021105:102'<br/> Example: DTM+356:2002100120021031:718'</p> |            |   |  |    |   |  |

Max. Occ. = Maximum Occurrence, St = Status, \* = Restricted Codes

Status: M=Mandatory, R=Required, O=Optional, C=Conditional, D=Dependent, A=Advised, N=Not used



## Segment Layout

| No. Seg   | St         | Max. Occ.                |         |           |   |  |
|---|------------|--------------------------|---------|-----------|---|--|
| <b>SG1</b>  | C          | 9                        | RFF-DTM |           |   |  |
| A group of segments for giving references and where necessary, their dates, relating to the whole message e.g. contract number.   |            |                          |         |           |   |  |
| 6   | <b>RFF</b> | M                        | 1       | Reference |   |  |
| To specify a reference.   |            |                          |         |           |   |  |
| Business Term   | DE         | EDIFACT                  | Format  | St        | * | Description  |
|   | C506       | Reference                |         | M         |   |  |
|   | 1153       | Reference code qualifier | an..3   | M         |   | ALR Sales forecast number<br>ALS Sales report number<br>CT Contract number |
|   | 1154       | Reference identifier     | an..70  | R         |   |  |
| <p>This segment is used to specify references relating to the sales data report. References should normally be given at this point if they apply to all or a majority of the line items.</p> <p>Example:</p> <p>Example: RFF+CT:12'</p> <p>Example: RFF+CT:674430'</p> <p>Example: RFF+ALS:SDR5421'</p> |            |                          |         |           |   |  |

Max. Occ. = Maximum Occurrence, St = Status, \* = Restricted Codes

Status: M=Mandatory, R=Required, O=Optional, C=Conditional, D=Dependent, A=Advised, N=Not used

## Segment Layout

| No. Seg   | St   | Max. Occ.                                      |                  |    |   |                             |
|---|------|--|------------------|----|---|-----------------------------|
| <b>SG1</b>  | C    | 9  | RFF-DTM          |    |   |                             |
| A group of segments for giving references and where necessary, their dates, relating to the whole message e.g. contract number.   |      |  |                  |    |   |                             |
| 7   |      |  |                  |    |   |                             |
| <b>DTM</b>  | C    | 9  | Date/time/period |    |   |                             |
| To specify date, and/or time, or period.  |      |  |                  |    |   |                             |
| Business Term   | DE   | EDIFACT  | Format           | St | * | Description                 |
|   | C507 | Date/time/period                               |                  | M  |   |                             |
|   | 2005 | Date or time or period function code qualifier | an..3            | M  | * | 171 Reference date/<br>time |
|   | 2380 | Date or time or period value                   | an..35           | R  |   |                             |
|   | 2379 | Date or time or period format code             | an..3            | R  |   | 102 CCYYMMDD                |
| <p>This segment is used to specify dates relating to the references given in the preceding RFF segment.</p> <p>Example:</p> <p>Example: DTM+171:19931001:102'</p> <p>Example: DTM+171:20021025:102'</p> |      |  |                  |    |   |                             |

Max. Occ. = Maximum Occurrence, St = Status, \* = Restricted Codes

Status: M=Mandatory, R=Required, O=Optional, C=Conditional, D=Dependent, A=Advised, N=Not used

## Segment Layout

| No. Seg  | St         | Max. Occ.                                       |             |                  |   |  |
|--|------------|---|-------------|------------------|---|--|
| <b>SG2</b>   | M          | 5   | NAD-SG3-SG4 |                  |   |  |
| A group of segments identifying the parties with associated information.   |            |   |             |                  |   |  |
| 8  | <b>NAD</b> | M   | 1           | Name and address |   |  |
| To specify the name/address and their related function, either by C082 only and/or unstructured by C058 or structured by C080 thru 3207. |            |   |             |                  |   |  |
| Business Term  | DE         | EDIFACT   | Format      | St               | * Description   |  |
|  | 3035       | Party function code qualifier                   | an..3       | M                | CO Corporate office<br>FR Message from<br>MR Message recipient<br>SE Seller<br>SN Store number<br>SR Supplier's agent/<br>representative<br>SU Supplier |  |
|  | C082       | Party identification details                    |             | A                |   |  |
|  | 3039       | Party identifier                                | an..35      | M                |   |  |
|  | 1131       | Code list identification code                   | an..17      | N                |   |  |
|  | 3055       | Code list responsible agency code               | an..3       | R                | * 9 GS1   |  |
|  | C058       | Name and address                                |             | O                | This composite may only be used to fulfill the requirements of directive 2003/58/EC, article 4.   |  |
|  | 3124       | Name and address description                    | an..35      | M                |   |  |
|  | 3124       | Name and address description                    | an..35      | O                |   |  |
|  | 3124       | Name and address description                    | an..35      | O                |   |  |
|  | 3124       | Name and address description                    | an..35      | O                |   |  |
|  | 3124       | Name and address description                    | an..35      | O                |   |  |
|  | C080       | Party name                                      |             | D                |   |  |
|  | 3036       | Party name                                      | an..35      | M                | Party Name in clear text.   |  |
|  | 3036       | Party name                                      | an..35      | O                |   |  |
|  | 3036       | Party name                                      | an..35      | O                |   |  |
|  | 3036       | Party name                                      | an..35      | O                |   |  |
|  | 3036       | Party name                                      | an..35      | O                |   |  |
|  | 3045       | Party name format code                          | an..3       | O                |   |  |
|  | C059       | Street  |             | D                |   |  |
|  | 3042       | Street and number or post office box identifier | an..35      | M                | Building Name/Number and Street Name  |  |
|  |            | Street and number or                            |             |                  |   |  |

Max. Occ. = Maximum Occurrence, St = Status, \* = Restricted Codes

Status: M=Mandatory, R=Required, O=Optional, C=Conditional, D=Dependent, A=Advised, N=Not used

**Segment Layout**

| Business Term | DE   | EDIFACT   | Format | St | * | Description                 |
|---------------|------|---|--------|----|---|-----------------------------|
|               | 3042 | post office box identifier                      | an..35 | O  |   |                             |
|               | 3042 | Street and number or post office box identifier | an..35 | O  |   |                             |
|               | 3042 | Street and number or post office box identifier | an..35 | O  |   |                             |
|               | 3164 | City name                                       | an..35 | D  |   | City/Town name, clear text. |
|               | C819 | Country sub-entity details                      |        | D  |   |                             |
|               | 3229 | Country sub-entity name code                    | an..9  | O  |   |                             |
|               | 1131 | Code list identification code                   | an..17 | O  |   |                             |
|               | 3055 | Code list responsible agency code               | an..3  | O  |   |                             |
|               | 3228 | Country sub-entity name                         | an..70 | O  |   | County/State, clear text.   |
|               | 3251 | Postal identification code                      | an..17 | D  |   | Postal Code.                |
|               | 3207 | Country name code                               | an..3  | D  |   | ISO 3166 two alpha code     |

This segment is used to identify the trading parties involved in the Sales Data Reporting process. Identification of the sender and receiver of the report is mandatory. These parties may be different than those specified in UNB.

Example:

NAD+SU+7591234123458::9'

Dependency Notes:

The following composites and data elements are only used when a coded name and address can not be used. The affected composites and data elements are as follows:

C080 - C059 - 3164 - C819 - 3251 - 3207

Example: NAD+BY+5099104000129::9+X::::X+B:B:B:B:B:1+C:C:C:X+D+E:23:2:X+F+GB'

Example: NAD+SE+5456789000013::9'

Example: NAD+CO+5412345000020::9'

Max. Occ. = Maximum Occurrence, St = Status, \* = Restricted Codes

Status: M=Mandatory, R=Required, O=Optional, C=Conditional, D=Dependent, A=Advised, N=Not used

## Segment Layout

| No. Seg  | St         | Max. Occ.                           |             |                     |   |   |
|--|------------|-------------------------------------|-------------|---------------------|---|---|
| <b>SG2</b>   | M          | 5                                   | NAD-SG3-SG4 |                     |   |   |
| A group of segments identifying the parties with associated information.   |            |                                     |             |                     |   |   |
| <b>SG3</b>   | C          | 5                                   | CTA-COM     |                     |   |   |
| A group of segments giving contact details of the specific person or department within the party identified in the NAD segment.  |            |                                     |             |                     |   |   |
| 9  | <b>CTA</b> | M                                   | 1           | Contact information |   |   |
| To identify a person or a department to whom communication should be directed.   |            |                                     |             |                     |   |   |
| Business Term  | DE         | EDIFACT                             | Format      | St                  | * | Description   |
|  | 3139       | Contact function code               | an..3       | R                   |   | SA Sales administration<br>SR Sales representative<br>or department |
|  | C056       | Department or<br>employee details   |             | O                   |   |   |
|  | 3413       | Department or<br>employee name code | an..17      | O                   |   |   |
|  | 3412       | Department or<br>employee name      | an..35      | O                   |   |   |
| This segment is used to identify the department and person within the party specified in the NAD segment.<br>The Global Location Number GLN - Format n13 - is particularly suitable for this purpose.<br>Example:<br>Example: CTA+0C+A:A '<br>Example: CTA+SA+:R BOSQUET ' |            |                                     |             |                     |   |   |

Max. Occ. = Maximum Occurrence, St = Status, \* = Restricted Codes  
Status: M=Mandatory, R=Required, O=Optional, C=Conditional, D=Dependent, A=Advised, N=Not used

## Segment Layout

| No. Seg  | St         | Max. Occ.                            |             |                       |   |  |
|--|------------|--------------------------------------|-------------|-----------------------|---|--|
| <b>SG2</b>   | M          | 5                                    | NAD-SG3-SG4 |                       |   |  |
| A group of segments identifying the parties with associated information.   |            |                                      |             |                       |   |  |
| <b>SG3</b>   | C          | 5                                    | CTA-COM     |                       |   |  |
| A group of segments giving contact details of the specific person or department within the party identified in the NAD segment.  |            |                                      |             |                       |   |  |
| 10   | <b>COM</b> | C                                    | 5           | Communication contact |   |  |
| To identify a communication number of a department or a person to whom communication should be directed.   |            |                                      |             |                       |   |  |
| Business Term  | DE         | EDIFACT                              | Format      | St                    | * | Description  |
|  | C076       | Communication contact                |             | M                     |   |  |
|  | 3148       | Communication address identifier     | an..51      | M                     |   |  |
|  | 3155       | Communication address code qualifier | an..3       | M                     |   | AO Uniform Resource Location (URL)<br>EM Electronic mail<br>TE Telephone |
| <p>This segment is used to identify the communications number and the type of communications used for the person or department identified in the CTA segment.</p> <p>Example:</p> <p>Example: COM+12345:TE'</p> <p>Example: COM+004481754565:FX'</p> |            |                                      |             |                       |   |  |

Max. Occ. = Maximum Occurrence, St = Status, \* = Restricted Codes  
 Status: M=Mandatory, R=Required, O=Optional, C=Conditional, D=Dependent, A=Advised, N=Not used

## Segment Layout

| No.  | Seg   | St                          | Max. Occ. |             |   |   |
|--|---|-----------------------------|-----------|-------------|---|---|
|  | <b>SG2</b>  | M                           | 5         | NAD-SG3-SG4 |   |   |
|  | A group of segments identifying the parties with associated information.    |                             |           |             |   |   |
|  | <b>SG4</b>  | C                           | 9         | RFF         |   |   |
|  | A group of segments giving references only relevant to the specified party. |                             |           |             |   |   |
| 11   | <b>RFF</b>  | M                           | 1         | Reference   |   |   |
|  | To specify a reference.   |                             |           |             |   |   |
| Business Term  | DE  | EDIFACT                     | Format    | St          | * | Description   |
|  | C506  | Reference                   |           | M           |   |   |
|  | 1153  | Reference code<br>qualifier | an..3     | M           | * | ADE Account number<br>FC Fiscal number<br>GN Government<br>reference number<br>IA Internal vendor<br>number<br>IT Internal customer<br>number<br>TL Tax exemption<br>licence number<br>VA VAT registration<br>number<br>YC1 Additional party<br>identification<br>(GS1 Temporary<br>Code) |
|  | 1154  | Reference identifier        | an..70    | R           |   |   |
| <p>This segment is used to specify reference numbers related to the party specified in the previous NAD segment.<br/>                     Example:<br/>                     Example: RFF+VA:87745411'<br/>                     Example: RFF+VA:87765432'</p> |   |                             |           |             |   |   |

Max. Occ. = Maximum Occurrence, St = Status, \* = Restricted Codes  
 Status: M=Mandatory, R=Required, O=Optional, C=Conditional, D=Dependent, A=Advised, N=Not used

## Segment Layout

| No. Seg  | St         | Max. Occ.                     |         |            |   |  |
|--|------------|-------------------------------|---------|------------|---|--|
| <b>SG5</b>   | C          | 5                             | CUX-DTM |            |   |  |
| A group of segments specifying the currencies and related dates/periods valid for the whole sales data report.   |            |                               |         |            |   |  |
| 12   | <b>CUX</b> | M                             | 1       | Currencies |   |  |
| To specify currencies used in the transaction and relevant details for the rate of exchange.   |            |                               |         |            |   |  |
| Business Term  | DE         | EDIFACT                       | Format  | St         | * | Description  |
|  | C504       | Currency details              |         | R          |   |  |
|  | 6347       | Currency usage code qualifier | an..3   | M          | * | 2 Reference currency   |
|  | 6345       | Currency identification code  | an..3   | R          |   | ISO 4217 three alpha code  |
|  | 6343       | Currency type code qualifier  | an..3   | R          |   | 9 Order currency<br>10 Pricing currency<br>11 Payment currency   |
|  | C504       | Currency details              |         | D          |   | The second occurrence of this composite is only used if a target currency is being specified.  |
|  | 6347       | Currency usage code qualifier | an..3   | M          | * | 3 Target currency  |
|  | 6345       | Currency identification code  | an..3   | R          |   | ISO 4217 three alpha code  |
|  | 6343       | Currency type code qualifier  | an..3   | R          |   | 9 Order currency<br>10 Pricing currency<br>11 Payment currency   |
|  | 6348       | Currency rate value           | n..4    | O          |   |  |
|  | 5402       | Currency exchange rate        | n..12   | D          |   | The rate of exchange which applies to the currency. The rate of exchange is only used if a target currency has been identified in the second occurrence of C504. |
| <p>This segment is used to specify the currencies in which the prices in the Sales Data Report are quoted.</p> <p>The CUX segment is mandatory for international exchange.</p> <p>When specifying Reference and Target Currencies for international trade, one occurrence of CUX is all that is required. The reference currency is identified in the first occurrence of the composite C504, with the target currency specified in the second occurrence of C504. The rate of exchange between the two is detailed in the DE 5402.</p> <p>The general rule for calculating rate of exchange is as follows:<br/>Reference Currency multiplied by Rate = Target Currency.</p> <p>Example:</p> <p>Example: CUX+2:GBP:12+3:GBP:1:1+12'</p> <p>Example: CUX+2:EUR:10'</p> <p>Example: CUX+2:EUR:10+3:USD:11+0.90243'</p> |            |                               |         |            |   |  |

Max. Occ. = Maximum Occurrence, St = Status, \* = Restricted Codes  
Status: M=Mandatory, R=Required, O=Optional, C=Conditional, D=Dependent, A=Advised, N=Not used



## Segment Layout

| No.  | Seg  | St   | Max. Occ. |                  |   |   |
|--|--|--|-----------|------------------|---|---|
|  | <b>SG5</b>   | C  | 5         | CUX-DTM          |   |   |
|  | A group of segments specifying the currencies and related dates/periods valid for the whole sales data report. |  |           |                  |   |   |
| 13   | <b>DTM</b>   | C  | 5         | Date/time/period |   |   |
|  | To specify date, and/or time, or period.   |  |           |                  |   |   |
| Business Term  | DE   | EDIFACT  | Format    | St               | * | Description   |
|  | C507   | Date/time/period                               |           | M                |   |   |
|  | 2005   | Date or time or period function code qualifier | an..3     | M                | * | 134 Rate of exchange date/time                                |
|  | 2380   | Date or time or period value                   | an..35    | R                |   |   |
|  | 2379   | Date or time or period format code             | an..3     | R                |   | 102 CCYYMMDD<br>203 CCYYMMDDHHMM<br>718 CCYYMMDD-<br>CCYYMMDD |
| This segment is used to specify the date on which the rate of exchange was quoted.<br>Example:<br>Example: DTM+134:19931025:102 '<br>Example: DTM+134:20020901:102 ' |  |  |           |                  |   |   |

Max. Occ. = Maximum Occurrence, St = Status, \* = Restricted Codes  
Status: M=Mandatory, R=Required, O=Optional, C=Conditional, D=Dependent, A=Advised, N=Not used

## Segment Layout

| No. Seg  | St         | Max. Occ.                         |                               |    |   |   |
|--|------------|-----------------------------------|-------------------------------|----|---|---|
| <b>SG6</b>   | C          | 200000                            | LOC-DTM-SG8                   |    |   |   |
| A group of segments providing details of the location for which sales are being reported and the period or sub-period during which the sales took place. There must be at least one occurrence of Segment group 6 within a sales data report.          |            |                                   |                               |    |   |   |
| 14   | <b>LOC</b> | M 1                               | Place/location identification |    |   |   |
| To identify a place or a location and/or related locations.  |            |                                   |                               |    |   |   |
| Business Term  | DE         | EDIFACT                           | Format                        | St | * | Description   |
|  | 3227       | Location function code qualifier  | an..3                         | M  |   | 162 Place or location of sale   |
|  | C517       | Location identification           |                               | A  |   |   |
|  | 3225       | Location name code                | an..25                        | A  |   |   |
|  | 1131       | Code list identification code     | an..17                        | O  |   |   |
|  | 3055       | Code list responsible agency code | an..3                         | D  |   | 9 GS1<br>DE 3055 must be used if DE 3225 is used and does not contain an UN/LOCODE. |
|  | 3224       | Location name                     | an..25                        | O  |   |   |
| This segment is used to identify the location where the sales took place. The LOC segment is the trigger segment for the Sales Data Report detail section.<br>Example:<br>Example: LOC+121+5099104000221:23:9:A'<br>Example: LOC+162+5412345000013::9' |            |                                   |                               |    |   |   |

Max. Occ. = Maximum Occurrence, St = Status, \* = Restricted Codes  
Status: M=Mandatory, R=Required, O=Optional, C=Conditional, D=Dependent, A=Advised, N=Not used

## Segment Layout

| No. Seg  | St         | Max. Occ.                                      |                  |    |   |  |
|--|------------|--|------------------|----|---|--|
| <b>SG6</b>   | C          | 200000   | LOC-DTM-SG8      |    |   |  |
| A group of segments providing details of the location for which sales are being reported and the period or sub-period during which the sales took place. There must be at least one occurrence of Segment group 6 within a sales data report.  |            |  |                  |    |   |  |
| 15   | <b>DTM</b> | C 5  | Date/time/period |    |   |  |
| To specify date, and/or time, or period.   |            |  |                  |    |   |  |
| Business Term  | DE         | EDIFACT  | Format           | St | * | Description  |
|  | C507       | Date/time/period                               |                  | M  |   |  |
|  | 2005       | Date or time or period function code qualifier | an..3            | M  | * | 90 Report start date<br>91 Report end date<br>356 Sales date, and or time, and or period |
|  | 2380       | Date or time or period value                   | an..35           | R  |   |  |
|  | 2379       | Date or time or period format code             | an..3            | R  |   | 102 CCYYMMDD<br>203 CCYYMMDDHHMM<br>718 CCYYMMDD-CCYYMMDD                                |
| <p>This segment is used to indicate the date or period of sale for the items which follow in the LIN sub-group (Group 8). The DTM segment can be used to specify sub-periods such as weekly sales within a monthly Sales Data Report.</p> <p>This segment is not required if the date or period being identified here is the same as the date or period identified at heading level.</p> <p>Example:<br/>The sales for the current line item took place on the 31st October 2002.<br/>DTM+356:2002100120021031:718'</p> <p>The period of time during which the sales for the current line item took place is from the 1st October 2002 to the 31st October 2002.</p> <p>Example: DTM+90:19930601:102 '<br/>Example: DTM+356:20021031:102 '</p> |            |  |                  |    |   |  |

Max. Occ. = Maximum Occurrence, St = Status, \* = Restricted Codes  
Status: M=Mandatory, R=Required, O=Optional, C=Conditional, D=Dependent, A=Advised, N=Not used

## Segment Layout

| No. Seg  | St         | Max. Occ.   |                                      |    |   |  |
|--|------------|---|--------------------------------------|----|---|--|
| <b>SG6</b>   | C          | 200000  | LOC-DTM-SG8                          |    |   |  |
| A group of segments providing details of the location for which sales are being reported and the period or sub-period during which the sales took place. There must be at least one occurrence of Segment group 6 within a sales data report.  |            |   |                                      |    |   |  |
| <b>SG8</b>   | C          | 200000  | LIN-PIA-IMD-RFF-ALI-MOA-SG9-PAI-SG10 |    |   |  |
| A group of segments providing details per location and period of the individual products sold in terms of product family or group, promotional flags, total sale monetary amount and sale price.   |            |   |                                      |    |   |  |
| 16   | <b>LIN</b> | M 1   | Line item                            |    |   |  |
| To identify a line item and configuration.   |            |   |                                      |    |   |  |
| Business Term  | DE         | EDIFACT   | Format                               | St | * | Description  |
|  | 1082       | Line item identifier                                | an..6                                | R  |   | Application generated number of the item lines within the Sales Data Report.   |
|  | 1229       | Action request/<br>notification description<br>code | an..3                                | N  |   |  |
|  | C212       | Item number<br>identification                       |                                      | D  |   | This composite is only used for the identification of GTIN's. If another coding structure is required, e.g. HIBC, then this composite will not be used and the code will be detailed in the PIA segment. |
|  | 7140       | Item identifier                                     | an..35                               | R  |   | Format n..14<br>GTIN<br>This is the number of the article whose sales are being reported.  |
|  | 7143       | Item type identification<br>code                    | an..3                                | R  | * | SRV <b>GS1 Global Trade<br/>Item Number</b>  |
|  | C829       | Sub-line information                                |                                      | D  |   |  |
|  | 5495       | Sub-line indicator code                             | an..3                                | R  | * | 1 <b>Sub-line<br/>information</b>  |
|  | 1082       | Line item identifier                                | an..6                                | R  |   |  |
| <p>This segment is used to identify the product on which the sales data is being reported. The segment group triggered by the LIN segment (Group 8) is used to provide relevant information for the products sold in terms of product identification, price, quantity, and, total value of sales.</p> <p>Note on DE 1082:<br/>Numbering rule: In Part I, section 4.10 there is the recommendation "Within EANCOM® it is recommended that the line numbers used in the first occurrence of data element 1082 in the LIN segment be sequential, starting at 1 for each new message."</p> <p>Note on DE 7140:<br/>Only the following significant digits are possible:<br/>- 8 digits for GTIN 8 codes<br/>- 12 digits for GTIN 12 codes</p> |            |   |                                      |    |   |  |

Max. Occ. = Maximum Occurrence, St = Status, \* = Restricted Codes

Status: M=Mandatory, R=Required, O=Optional, C=Conditional, D=Dependent, A=Advised, N=Not used

## Segment Layout

---

- 13 digits for GTIN 13 codes
- 14 digits for GTIN 14 codes

Dependency Note:

C829 is only used when sub-lines are required.

FOR A COMPLETE DESCRIPTION ON THE USAGE OF SUB-LINES PLEASE REFER TO PART I, SECTION 4.10.

Example:

Example: `LIN+1++1:SRV+1:1'`

Example: `LIN+1++3323456007803:SRV'`

Max. Occ. = Maximum Occurrence, St = Status, \* = Restricted Codes

Status: M=Mandatory, R=Required, O=Optional, C=Conditional, D=Dependent, A=Advised, N=Not used

## Segment Layout

| No. Seg   | St         | Max. Occ.                         |                                      |                       |   |   |
|---|------------|-----------------------------------|--------------------------------------|-----------------------|---|---|
| <b>SG6</b>  | C          | 200000                            | LOC-DTM-SG8                          |                       |   |   |
| A group of segments providing details of the location for which sales are being reported and the period or sub-period during which the sales took place. There must be at least one occurrence of Segment group 6 within a sales data report. |            |                                   |                                      |                       |   |   |
| <b>SG8</b>  | C          | 200000                            | LIN-PIA-IMD-RFF-ALI-MOA-SG9-PAI-SG10 |                       |   |   |
| A group of segments providing details per location and period of the individual products sold in terms of product family or group, promotional flags, total sale monetary amount and sale price.  |            |                                   |                                      |                       |   |   |
| 17  | <b>PIA</b> | C                                 | 5                                    | Additional product id |   |   |
| To specify additional or substitutional item identification codes.  |            |                                   |                                      |                       |   |   |
| Business Term   | DE         | EDIFACT                           | Format                               | St                    | * | Description   |
|   | 4347       | Product identifier code qualifier | an..3                                | M                     | * | 1 Additional identification<br>5 Product identification                                       |
|   | C212       | Item number identification        |                                      | M                     |   |   |
|   | 7140       | Item identifier                   | an..35                               | R                     |   |   |
|   | 7143       | Item type identification code     | an..3                                | R                     |   | IN Buyer's item number<br>PV Promotional variant number<br>SA Supplier's article number       |
|   | 1131       | Code list identification code     | an..17                               | O                     |   |   |
|   | 3055       | Code list responsible agency code | an..3                                | D                     |   | 9 GS1<br>91 Assigned by supplier or supplier's agent<br>92 Assigned by buyer or buyer's agent |
|   | C212       | Item number identification        |                                      | O                     |   |   |
|   | 7140       | Item identifier                   | an..35                               | R                     |   |   |
|   | 7143       | Item type identification code     | an..3                                | R                     |   |   |
|   | 1131       | Code list identification code     | an..17                               | O                     |   |   |
|   | 3055       | Code list responsible agency code | an..3                                | D                     |   |   |
|   | C212       | Item number identification        |                                      | O                     |   |   |
|   | 7140       | Item identifier                   | an..35                               | R                     |   |   |
|   | 7143       | Item type identification code     | an..3                                | R                     |   |   |
|   | 1131       | Code list identification code     | an..17                               | O                     |   |   |
|   |            | Code list responsible             |                                      |                       |   |   |

Max. Occ. = Maximum Occurrence, St = Status, \* = Restricted Codes

Status: M=Mandatory, R=Required, O=Optional, C=Conditional, D=Dependent, A=Advised, N=Not used

## Segment Layout

| Business Term | DE   | EDIFACT                           | Format | St | * | Description |
|---------------|------|-----------------------------------|--------|----|---|-------------|
|               | 3055 | agency code                       | an..3  | D  |   |             |
|               | C212 | Item number identification        |        | O  |   |             |
|               | 7140 | Item identifier                   | an..35 | R  |   |             |
|               | 7143 | Item type identification code     | an..3  | R  |   |             |
|               | 1131 | Code list identification code     | an..17 | O  |   |             |
|               | 3055 | Code list responsible agency code | an..3  | D  |   |             |
|               | C212 | Item number identification        |        | O  |   |             |
|               | 7140 | Item identifier                   | an..35 | R  |   |             |
|               | 7143 | Item type identification code     | an..3  | R  |   |             |
|               | 1131 | Code list identification code     | an..17 | O  |   |             |
|               | 3055 | Code list responsible agency code | an..3  | D  |   |             |

This segment is used to specify additional item identification codes such as a buyers, or sellers, item number.

Example:

In this example the PIA segment is used to provide an additional identification to the GTIN provided in the LIN segment. The GTIN 3323456007803 provided in the LIN segment refers to the internal buyer's item number AEX5421.

This example details the HIBC code 2209953C001L which is provided as the primary product code because no GTIN was provided in the LIN segment.

Example: PIA+1+1:AA:23:2+1:AA:23:2+1:AA:23:2+1:AA:23:2+1:AA:23:2'

Example: PIA+1+AEX5421:IN'

Example: PIA+5+2209953C001L:AC'

Max. Occ. = Maximum Occurrence, St = Status, \* = Restricted Codes

Status: M=Mandatory, R=Required, O=Optional, C=Conditional, D=Dependent, A=Advised, N=Not used

## Segment Layout

| No. Seg   | St         | Max. Occ.                         |                                      |    |   |  |
|---|------------|-----------------------------------|--------------------------------------|----|---|--|
| <b>SG6</b>  | C          | 200000                            | LOC-DTM-SG8                          |    |   |  |
| A group of segments providing details of the location for which sales are being reported and the period or sub-period during which the sales took place. There must be at least one occurrence of Segment group 6 within a sales data report. |            |                                   |                                      |    |   |  |
| <b>SG8</b>  | C          | 200000                            | LIN-PIA-IMD-RFF-ALI-MOA-SG9-PAI-SG10 |    |   |  |
| A group of segments providing details per location and period of the individual products sold in terms of product family or group, promotional flags, total sale monetary amount and sale price.  |            |                                   |                                      |    |   |  |
| 18  | <b>IMD</b> | C 5                               | Item description                     |    |   |  |
| To describe an item in either an industry or free format.   |            |                                   |                                      |    |   |  |
| Business Term   | DE         | EDIFACT                           | Format                               | St | * | Description  |
|   | 7077       | Description format code           | an..3                                | O  | * | B Code and text<br>C Code (from industry code list)<br>D Free-form price look up<br>E Free-form short description<br>F Free-form<br>S Structured (from industry code list) |
|   | C272       | Item characteristic               |                                      | O  |   |  |
|   | 7081       | Item characteristic code          | an..3                                | R  |   |  |
|   | 1131       | Code list identification code     | an..17                               | O  |   |  |
|   | 3055       | Code list responsible agency code | an..3                                | D  | * | 9 GS1<br>Must be used if DE7081 contains an GS1 code.  |
|   | C273       | Item description                  |                                      | A  |   |  |
|   | 7009       | Item description code             | an..17                               | O  |   | CU Consumer unit (GS1 Permanent Code)<br>DU Despatch unit (GS1 Permanent Code)<br>TU Traded unit (GS1 Permanent Code)<br>VQ Variable quantity product (GS1 Permanent Code) |
|   | 1131       | Code list identification code     | an..17                               | O  |   |  |
|   | 3055       | Code list responsible agency code | an..3                                | D  |   | 9 GS1<br>91 Assigned by supplier or supplier's agent<br>92 Assigned by buyer or buyer's agent  |
|   | 7008       | Item description                  | an..25                               | O  |   |  |

Max. Occ. = Maximum Occurrence, St = Status, \* = Restricted Codes

Status: M=Mandatory, R=Required, O=Optional, C=Conditional, D=Dependent, A=Advised, N=Not used



**Segment Layout**

| Business Term | DE   | EDIFACT            | Format | St | * | Description |
|---------------|------|--------------------|--------|----|---|-------------|
|               | 7008 | Item description   | an..25 | O  |   |             |
|               | 3453 | Language name code | an..3  | O  |   |             |

This segment is used to describe the current line item.

It is recommended that this segment only be used for coded descriptions. Data element 7008 in clear text should only be used when no product code is available or when free-form descriptions are required by the trading partners.

Example:

IMD+F++:::CORN CRUNCHIES:CASE'

Example: IMD+B+2:23:9+CU:23:9:A:A:AA'

Example: IMD+C++CU:::9'

Max. Occ. = Maximum Occurrence, St = Status, \* = Restricted Codes

Status: M=Mandatory, R=Required, O=Optional, C=Conditional, D=Dependent, A=Advised, N=Not used

## Segment Layout

| No. Seg   | St         | Max. Occ.                |                                      |    |   |  |
|---|------------|--------------------------|--------------------------------------|----|---|--|
| <b>SG6</b>  | C          | 200000                   | LOC-DTM-SG8                          |    |   |  |
| A group of segments providing details of the location for which sales are being reported and the period or sub-period during which the sales took place. There must be at least one occurrence of Segment group 6 within a sales data report. |            |                          |                                      |    |   |  |
| <b>SG8</b>  | C          | 200000                   | LIN-PIA-IMD-RFF-ALI-MOA-SG9-PAI-SG10 |    |   |  |
| A group of segments providing details per location and period of the individual products sold in terms of product family or group, promotional flags, total sale monetary amount and sale price.  |            |                          |                                      |    |   |  |
| 19  | <b>RFF</b> | C 5                      | Reference                            |    |   |  |
| To specify a reference.   |            |                          |                                      |    |   |  |
| Business Term   | DE         | EDIFACT                  | Format                               | St | * | Description                                |
|   | C506       | Reference                |                                      | M  |   |  |
|   | 1153       | Reference code qualifier | an..3                                | M  |   | CT Contract number<br>PL Price list number |
|   | 1154       | Reference identifier     | an..70                               | R  |   |  |
| This segment is used to specify any references which are applicable to the current line item only.<br>Example:<br>Example: RFF+CT:1'<br>Example: RFF+PL:658221'   |            |                          |                                      |    |   |  |

Max. Occ. = Maximum Occurrence, St = Status, \* = Restricted Codes  
Status: M=Mandatory, R=Required, O=Optional, C=Conditional, D=Dependent, A=Advised, N=Not used

## Segment Layout

| No. Seg   | St         | Max. Occ.                   |                                      |                        |   |   |
|---|------------|-----------------------------|--------------------------------------|------------------------|---|---|
| <b>SG6</b>  | C          | 200000                      | LOC-DTM-SG8                          |                        |   |   |
| A group of segments providing details of the location for which sales are being reported and the period or sub-period during which the sales took place. There must be at least one occurrence of Segment group 6 within a sales data report.     |            |                             |                                      |                        |   |   |
| <b>SG8</b>  | C          | 200000                      | LIN-PIA-IMD-RFF-ALI-MOA-SG9-PAI-SG10 |                        |   |   |
| A group of segments providing details per location and period of the individual products sold in terms of product family or group, promotional flags, total sale monetary amount and sale price.  |            |                             |                                      |                        |   |   |
| 20  | <b>ALI</b> | C                           | 5                                    | Additional information |   |   |
| To indicate that special conditions due to the origin, customs preference, fiscal or commercial factors are applicable.   |            |                             |                                      |                        |   |   |
| Business Term   | DE         | EDIFACT                     | Format                               | St                     | * | Description   |
|   | 3239       | Country of origin name code | an..3                                | O                      |   | Use ISO 3166 two alpha country code.  |
|   | 9213       | Duty regime type code       | an..3                                | O                      |   |   |
|   | 4183       | Special condition code      | an..3                                | O                      |   | 96 Promotional advertising<br>97 Promotional price<br>98 Promotional shelf display<br><br>If multiple promotions were in effect at the time the product was sold, then each promotion type can be specified using the up to 5 repeats of the data element within the segment. |
|   | 4183       | Special condition code      | an..3                                | O                      |   |   |
|   | 4183       | Special condition code      | an..3                                | O                      |   |   |
|   | 4183       | Special condition code      | an..3                                | O                      |   |   |
|   | 4183       | Special condition code      | an..3                                | O                      |   |   |
| This segment is used to specify any special conditions related to the current line item. Any promotions in effect when the product was sold can be specified in this segment.<br>Example:<br>Example: ALI+AD+1+1+1+1+1+1 '<br>Example: ALI+++97 ' |            |                             |                                      |                        |   |   |

Max. Occ. = Maximum Occurrence, St = Status, \* = Restricted Codes  
 Status: M=Mandatory, R=Required, O=Optional, C=Conditional, D=Dependent, A=Advised, N=Not used

## Segment Layout

| No. Seg  | St         | Max. Occ.                           |                                      |    |   |                      |
|--|------------|-------------------------------------|--------------------------------------|----|---|----------------------|
| <b>SG6</b>   | C          | 200000                              | LOC-DTM-SG8                          |    |   |                      |
| <p>A group of segments providing details of the location for which sales are being reported and the period or sub-period during which the sales took place. There must be at least one occurrence of Segment group 6 within a sales data report.</p>   |            |                                     |                                      |    |   |                      |
| <b>SG8</b>   | C          | 200000                              | LIN-PIA-IMD-RFF-ALI-MOA-SG9-PAI-SG10 |    |   |                      |
| <p>A group of segments providing details per location and period of the individual products sold in terms of product family or group, promotional flags, total sale monetary amount and sale price.</p>  |            |                                     |                                      |    |   |                      |
| 21   | <b>MOA</b> | C 5                                 | Monetary amount                      |    |   |                      |
| <p>To specify a monetary amount.</p>   |            |                                     |                                      |    |   |                      |
| Business Term  | DE         | EDIFACT                             | Format                               | St | * | Description          |
|  | C516       | Monetary amount                     |                                      | M  |   |                      |
|  | 5025       | Monetary amount type code qualifier | an..3                                | M  |   | 203 Line item amount |
|  | 5004       | Monetary amount                     | n..35                                | R  |   |                      |
| <p>This segment is used to indicate the value of the sales for the current line item for the period being reported.<br/>                     Example:<br/>                     Example: MOA+1:12'<br/>                     Example: MOA+203:12500'</p> |            |                                     |                                      |    |   |                      |

Max. Occ. = Maximum Occurrence, St = Status, \* = Restricted Codes  
 Status: M=Mandatory, R=Required, O=Optional, C=Conditional, D=Dependent, A=Advised, N=Not used

## Segment Layout

| No. Seg   | St         | Max. Occ. |                                      |
|---|------------|-----------|--------------------------------------|
| <b>SG6</b>  | C          | 200000    | LOC-DTM-SG8                          |
| A group of segments providing details of the location for which sales are being reported and the period or sub-period during which the sales took place. There must be at least one occurrence of Segment group 6 within a sales data report. |            |           |                                      |
| <b>SG8</b>  | C          | 200000    | LIN-PIA-IMD-RFF-ALI-MOA-SG9-PAI-SG10 |
| A group of segments providing details per location and period of the individual products sold in terms of product family or group, promotional flags, total sale monetary amount and sale price.  |            |           |                                      |
| <b>SG9</b>  | C          | 999       | PRI                                  |
| A group of segments providing prices per location and period.   |            |           |                                      |
| 22  | <b>PRI</b> | M 1       | Price details                        |
| To specify price information.   |            |           |                                      |

| Business Term | DE   | EDIFACT                  | Format | St | * | Description  |
|---------------|------|--------------------------|--------|----|---|--|
|               | C509 | Price information        |        | R  |   |  |
|               | 5125 | Price code qualifier     | an..3  | M  |   | AAA Calculation net<br>AAB Calculation gross<br>AAE Information price, excluding allowances or charges, including taxes<br>AAF Information price, excluding allowances or charges and taxes<br>CAL Calculation price |
|               | 5118 | Price amount             | n..15  | R  |   |  |
|               | 5375 | Price type code          | an..3  | O  |   | CT Contract<br>CA Catalogue  |
|               | 5387 | Price specification code | an..3  | O  |   | NTP Net unit price   |
|               | 5284 | Unit price basis value   | n..9   | D  |   |  |
|               | 6411 | Measurement unit code    | an..3  | D  |   |  |

This segment is used to indicate the price at which the current line item was sold.

Example:

Dependency Notes:

Data elements 5284 and 6411 are used when a product is a variable quantity product, e.g. price per 200 kilos, or when the unit of measure for purchasing, delivery, and invoicing are different for a product, e.g. sugar is not a variable quantity product but ordered and delivered in packs, and invoiced in kilos or tonnes.

Example: PRI+AAE:12.45:CT:NTP:1:KGM'

Example: PRI+AAA:1500:CA:NTP'

Max. Occ. = Maximum Occurrence, St = Status, \* = Restricted Codes

Status: M=Mandatory, R=Required, O=Optional, C=Conditional, D=Dependent, A=Advised, N=Not used

## Segment Layout

| No. Seg   | St         | Max. Occ.                         |                                      |                      |   |  |
|---|------------|-----------------------------------|--------------------------------------|----------------------|---|--|
| <b>SG6</b>  | C          | 200000                            | LOC-DTM-SG8                          |                      |   |  |
| A group of segments providing details of the location for which sales are being reported and the period or sub-period during which the sales took place. There must be at least one occurrence of Segment group 6 within a sales data report. |            |                                   |                                      |                      |   |  |
| <b>SG8</b>  | C          | 200000                            | LIN-PIA-IMD-RFF-ALI-MOA-SG9-PAI-SG10 |                      |   |  |
| A group of segments providing details per location and period of the individual products sold in terms of product family or group, promotional flags, total sale monetary amount and sale price.  |            |                                   |                                      |                      |   |  |
| 23  | <b>PAI</b> | C                                 | 9                                    | Payment instructions |   |  |
| To specify the instructions for payment.  |            |                                   |                                      |                      |   |  |
| Business Term   | DE         | EDIFACT                           | Format                               | St                   | * | Description  |
|   | C534       | Payment instruction details       |                                      | M                    |   |  |
|   | 4439       | Payment conditions code           | an..3                                | O                    |   |  |
|   | 4431       | Payment guarantee means code      | an..3                                | O                    |   |  |
|   | 4461       | Payment means code                | an..3                                | O                    |   | 10 In cash   |
|   | 1131       | Code list identification code     | an..17                               | O                    |   |  |
|   | 3055       | Code list responsible agency code | an..3                                | D                    |   | 9 GS1<br>DE 3055 must be used if any (one or more) of the data elements DE 4439, DE 4431, DE 4461 and DE 4435 are used and do not contain a UN/EDIFACT code. |
|   | 4435       | Payment channel code              | an..3                                | O                    |   |  |
| This segment allows the party sending the Sales Data Report to indicate how the payment of the current line item was made.<br>Example:<br>Example: PAI+1:10:3:23:2:1'<br>Example: PAI+::10'   |            |                                   |                                      |                      |   |  |

Max. Occ. = Maximum Occurrence, St = Status, \* = Restricted Codes  
Status: M=Mandatory, R=Required, O=Optional, C=Conditional, D=Dependent, A=Advised, N=Not used

## Segment Layout

| No. Seg   | St         | Max. Occ.                    |                                      |    |  |
|---|------------|------------------------------|--------------------------------------|----|--|
| <b>SG6</b>  | C          | 200000                       | LOC-DTM-SG8                          |    |  |
| A group of segments providing details of the location for which sales are being reported and the period or sub-period during which the sales took place. There must be at least one occurrence of Segment group 6 within a sales data report. |            |                              |                                      |    |  |
| <b>SG8</b>  | C          | 200000                       | LIN-PIA-IMD-RFF-ALI-MOA-SG9-PAI-SG10 |    |  |
| A group of segments providing details per location and period of the individual products sold in terms of product family or group, promotional flags, total sale monetary amount and sale price.  |            |                              |                                      |    |  |
| <b>SG10</b>   | C          | 999                          | QTY-NAD                              |    |  |
| A group of segments providing split delivery sales parties and relevant quantities information.   |            |                              |                                      |    |  |
| 24  | <b>QTY</b> | M 1                          | Quantity                             |    |  |
| To specify a pertinent quantity.  |            |                              |                                      |    |  |
| Business Term   | DE         | EDIFACT                      | Format                               | St | * Description  |
|   | C186       | Quantity details             |                                      | M  |  |
|   | 6063       | Quantity type code qualifier | an..3                                | M  | *<br>26 Promotion quantity<br>61 Return quantity<br>145 Actual stock<br>153 Statistical sales quantity<br>210 Returned by consumer quantity<br>217 Out of inventory quantity<br>243 Reserved quantity customer direct delivery sales<br>244 Reserved quantity retail sales<br>32E Consolidated discount stock (GS1 Temporary Code) |
|   | 6060       | Quantity                     | an..35                               | M  |  |
|   | 6411       | Measurement unit code        | an..3                                | D  | This DE is only used if the product being reported upon is of variable quantity.   |
| This segment is used to indicate quantities related to the current line item.<br>Example:<br>Example: QTY+26:12:KGM'<br>Example: QTY+153:140'   |            |                              |                                      |    |  |

Max. Occ. = Maximum Occurrence, St = Status, \* = Restricted Codes  
Status: M=Mandatory, R=Required, O=Optional, C=Conditional, D=Dependent, A=Advised, N=Not used

## Segment Layout

| No. Seg   | St         | Max. Occ.                         |                                      |    |   |   |
|---|------------|-----------------------------------|--------------------------------------|----|---|---|
| <b>SG6</b>  | C          | 200000                            | LOC-DTM-SG8                          |    |   |   |
| A group of segments providing details of the location for which sales are being reported and the period or sub-period during which the sales took place. There must be at least one occurrence of Segment group 6 within a sales data report. |            |                                   |                                      |    |   |   |
| <b>SG8</b>  | C          | 200000                            | LIN-PIA-IMD-RFF-ALI-MOA-SG9-PAI-SG10 |    |   |   |
| A group of segments providing details per location and period of the individual products sold in terms of product family or group, promotional flags, total sale monetary amount and sale price.  |            |                                   |                                      |    |   |   |
| <b>SG10</b>   | C          | 999                               | QTY-NAD                              |    |   |   |
| A group of segments providing split delivery sales parties and relevant quantities information.   |            |                                   |                                      |    |   |   |
| 25  | <b>NAD</b> | C 1                               | Name and address                     |    |   |   |
| To specify the name/address and their related function, either by C082 only and/or unstructured by C058 or structured by C080 thru 3207.  |            |                                   |                                      |    |   |   |
| Business Term   | DE         | EDIFACT                           | Format                               | St | * | Description   |
|   | 3035       | Party function code qualifier     | an..3                                | M  | * | SE Seller<br>UD Ultimate customer<br>X47 Cash register number (GS1 Temporary Code)              |
|   | C082       | Party identification details      |                                      | A  |   |   |
|   | 3039       | Party identifier                  | an..35                               | M  |   |   |
|   | 1131       | Code list identification code     | an..17                               | N  |   |   |
|   | 3055       | Code list responsible agency code | an..3                                | R  | * | 9 GS1<br>91 Assigned by supplier or supplier's agent<br>92 Assigned by buyer or buyer's agent   |
|   | C058       | Name and address                  |                                      | O  |   | This composite may only be used to fulfill the requirements of directive 2003/58/EC, article 4. |
|   | 3124       | Name and address description      | an..35                               | M  |   |   |
|   | 3124       | Name and address description      | an..35                               | O  |   |   |
|   | 3124       | Name and address description      | an..35                               | O  |   |   |
|   | 3124       | Name and address description      | an..35                               | O  |   |   |
|   | 3124       | Name and address description      | an..35                               | O  |   |   |
|   | C080       | Party name                        |                                      | D  |   |   |

Max. Occ. = Maximum Occurrence, St = Status, \* = Restricted Codes

Status: M=Mandatory, R=Required, O=Optional, C=Conditional, D=Dependent, A=Advised, N=Not used



**Segment Layout**

| Business Term | DE   | EDIFACT   | Format | St | * | Description                     |
|---------------|------|---|--------|----|---|---------------------------------|
|               | 3036 | Party name                                      | an..35 | M  |   | Party Name in clear text.       |
|               | 3036 | Party name                                      | an..35 | O  |   |                                 |
|               | 3036 | Party name                                      | an..35 | O  |   |                                 |
|               | 3036 | Party name                                      | an..35 | O  |   |                                 |
|               | 3036 | Party name                                      | an..35 | O  |   |                                 |
|               | 3045 | Party name format code                          | an..3  | O  |   |                                 |
|               | C059 | Street  |        | D  |   |                                 |
|               | 3042 | Street and number or post office box identifier | an..35 | M  |   | Building Name/Number and Street |
|               | 3042 | Street and number or post office box identifier | an..35 | O  |   | Name and/or P.O. Box.           |
|               | 3042 | Street and number or post office box identifier | an..35 | O  |   |                                 |
|               | 3042 | Street and number or post office box identifier | an..35 | O  |   |                                 |
|               | 3164 | City name                                       | an..35 | D  |   | City/Town name, clear text      |
|               | C819 | Country sub-entity details                      |        | D  |   |                                 |
|               | 3229 | Country sub-entity name code                    | an..9  | O  |   |                                 |
|               | 1131 | Code list identification code                   | an..17 | O  |   |                                 |
|               | 3055 | Code list responsible agency code               | an..3  | O  |   |                                 |
|               | 3228 | Country sub-entity name                         | an..70 | O  |   | County/State, clear text.       |
|               | 3251 | Postal identification code                      | an..17 | D  |   | Postal Code                     |
|               | 3207 | Country name code                               | an..3  | D  |   | ISO 3166 two alpha code         |

This segment is used to identify any party related to the sales being reported.

Example:

Dependency Notes:

The following composites and data elements are only used when a coded name and address can not be used. The affected composites and data elements are as follows:

C080 - C059 - 3164 - C819 - 3251 - 3207

Example: NAD+SE+545678900010::9+X::::X+1:1:1:1:1:1:1:1:1:1+1:23:2:X+1+AD'

Example: NAD+SE+545678900010::9'

Max. Occ. = Maximum Occurrence, St = Status, \* = Restricted Codes

Status: M=Mandatory, R=Required, O=Optional, C=Conditional, D=Dependent, A=Advised, N=Not used

## Segment Layout

| No.  | Seg        | St                     | Max.   | Occ. |  |                                     |
|--|------------|------------------------|--------|------|--|-------------------------------------|
| 26   | <b>UNS</b> | M                      | 1      |      | Section control<br>To separate header, detail and summary sections of a message. |                                     |
| Notes:<br>To be used by message designers only when required to avoid ambiguities.   |            |                        |        |      |  |                                     |
| Business Term  | DE         | EDIFACT                | Format | St   | *  | Description                         |
|  | 0081       | Section identification | a1     | M    | *  | S Detail/summary section separation |
| <p>This segment is used to identify the break between the message detail and message trailer sections.</p> <p>Example:<br/>Example: UNS+S '<br/>Example: UNS+S '</p> |            |                        |        |      |  |                                     |

Max. Occ. = Maximum Occurrence, St = Status, \* = Restricted Codes  
 Status: M=Mandatory, R=Required, O=Optional, C=Conditional, D=Dependent, A=Advised, N=Not used

## Segment Layout

| No. Seg  | St         | Max. Occ.                       |                 |    |   |
|--|------------|---------------------------------|-----------------|----|---|
| 27   | <b>UNT</b> | M 1                             | Message trailer |    |   |
| To end and check the completeness of a message.  |            |                                 |                 |    |   |
| Notes:   |            |                                 |                 |    |   |
| 1. 0062, the value shall be identical to the value in 0062 in the corresponding UNH segment.   |            |                                 |                 |    |   |
| Business Term  | DE         | EDIFACT                         | Format          | St | * Description   |
|  | 0074       | Number of segments in a message | n..10           | M  | The total number of segments in the message is detailed here.                                   |
|  | 0062       | Message reference number        | an..14          | M  | The message reference numbered detailed here should equal the one specified in the UNH segment. |
| <p>This segment is a mandatory UN/EDIFACT segment. It must always be the last segment in the message.</p> <p>Example:</p> <p>Example: UNT+25+1'</p> <p>Example: UNT+27+ME000001'</p> |            |                                 |                 |    |   |

Max. Occ. = Maximum Occurrence, St = Status, \* = Restricted Codes  
 Status: M=Mandatory, R=Required, O=Optional, C=Conditional, D=Dependent, A=Advised, N=Not used

## Segment Layout

| No. Seg  | St         | Max. Occ.                     |                     |    |  |
|--|------------|-------------------------------|---------------------|----|--|
| 28   | <b>UNZ</b> | M 1                           | Interchange trailer |    |  |
| To end and check the completeness of an interchange.   |            |                               |                     |    |  |
| Notes:   |            |                               |                     |    |  |
| 1. 0020, the value shall be identical to the value in 0020 in the corresponding UNB segment.   |            |                               |                     |    |  |
| Business Term  | DE         | EDIFACT                       | Format              | St | * Description  |
|  | 0036       | Interchange control count     | n..6                | M  | Number of messages or functional groups within an interchange. |
|  | 0020       | Interchange control reference | an..14              | M  | Identical to DE 0020 in UNB segment.                           |
| <p>This segment is used to provide the trailer of an interchange.</p> <p>DE 0036: If functional groups are used, this is the number of functional groups within the interchange. If functional groups are not used, this is the number of messages within the interchange.</p> <p>Example: UNZ+1+12345555'</p> <p>Example: UNZ+5+12345555'</p> |            |                               |                     |    |  |

Max. Occ. = Maximum Occurrence, St = Status, \* = Restricted Codes  
 Status: M=Mandatory, R=Required, O=Optional, C=Conditional, D=Dependent, A=Advised, N=Not used

## Used Codes

---

|             |   |
|-------------|---|
| <b>0001</b> | <p>Syntax identifier</p> <p>Coded identification of the agency controlling the syntax, and of the character repertoire used in an interchange.</p> <p>Notes:</p> <p>1. The data value consists of the letters 'UN', upper case, identifying the syntax controlling agency, directly followed by an a2 code identifying the character repertoire used.</p> |
| UNOA        | <p>UN/ECE level A</p> <p>As defined in the basic code table of ISO 646 with the exceptions of lower case letters, alternative graphic character allocations and national or application-oriented graphic character allocations.</p>   |
| UNOB        | <p>UN/ECE level B</p> <p>As defined in the basic code table of ISO 646 with the exceptions of alternative graphic character allocations and national or application-oriented graphic character allocations.</p>   |
| UNOC        | <p>UN/ECE level C</p> <p>As defined in ISO 8859-1 : Information processing - Part 1: Latin alphabet No. 1.</p>  |
| UNOD        | <p>UN/ECE level D</p> <p>As defined in ISO 8859-2 : Information processing - Part 2: Latin alphabet No. 2.</p>  |
| UNOE        | <p>UN/ECE level E</p> <p>As defined in ISO 8859-5 : Information processing - Part 5: Latin/Cyrillic alphabet.</p>   |
| UNOF        | <p>UN/ECE level F</p> <p>As defined in ISO 8859-7 : Information processing - Part 7: Latin/Greek alphabet.</p>  |
| UNOG        | <p>UN/ECE level G</p> <p>As defined in ISO 8859-3 : Information processing - Part 3: Latin alphabet.</p>  |
| UNOH        | <p>UN/ECE level H</p> <p>As defined in ISO 8859-4 : Information processing - Part 4: Latin alphabet.</p>  |
| UNOI        | <p>UN/ECE level I</p> <p>As defined in ISO 8859-6 : Information processing - Part 6: Latin/Arabic alphabet.</p>   |
| UNOJ        | <p>UN/ECE level J</p> <p>As defined in ISO 8859-8 : Information processing - Part 8: Latin/Hebrew alphabet.</p>   |
| UNOK        | <p>UN/ECE level K</p> <p>As defined in ISO 8859-9 : Information processing - Part 9: Latin alphabet.</p>  |

## Used Codes

---

|      |   |
|------|---|
| UNOW | UN/ECE level W<br>ISO 10646-1 octet with code extension technique to support UTF-8 (UCS Transformation Format, 8 bit) encoding. |
| UNOX | UN/ECE level X<br>Code extension technique as defined by ISO 2022 utilising the escape techniques in accordance with ISO 2375.  |
| UNOY | UN/ECE level Y<br>ISO 10646-1 octet without code extension technique.   |

---

**0002** Syntax version number  
Version number of the syntax.

Notes:

1. Shall be '4' to indicate this version of the syntax.

|   |                             |
|---|-----------------------------|
| 4 | Version 4<br>ISO 9735:1998. |
|---|-----------------------------|

---

**0007** Identification code qualifier  
Qualifier referring to the identification code.

Notes:

1. A qualifier code may refer to an organisation identification as in ISO 6523.

|    |  |
|----|--|
| 14 | GS1<br>Partner identification code assigned by GS1, an international organization of GS1 Member Organizations that manages the GS1 System. |
|----|--|

---

**0025** Recipient reference/password qualifier  
Qualifier for the recipient's reference or password.

Notes:

1. To be used as specified in the partners' interchange agreement.

|    |   |
|----|---|
| AA | Reference<br>Recipient's reference/password is a reference. |
|----|---|

|    |   |
|----|---|
| BB | Password<br>Recipient's reference/password is a password. |
|----|---|

---

**0029** Processing priority code  
Code determined by the sender requesting processing priority for the interchange.

Notes:

1. To be used as specified in the partners' interchange agreement.

## Used Codes

---

|             |   |
|-------------|---|
| A           | Highest priority<br>Requested processing priority is the highest.   |
| <b>0031</b> | Acknowledgement request<br>Code requesting acknowledgement for the interchange.<br><br>Notes:<br>1. Used if the sender requests that a message related to syntactical correctness be sent by the recipient in response.<br>2. For UN/EDIFACT a specific message (Syntax and service report - CONTRL) is defined for this purpose. |
| 1           | Requested<br>Acknowledgement is requested.  |
| <b>0035</b> | Test indicator<br>Indication that the structural level containing the test indicator is a test.   |
| 1           | Interchange is a test<br>Indicates that the interchange is a test.  |
| 5           | Interchange is a service provider test<br>Indicates that this interchange is a test with a service provider.  |
| <b>0051</b> | Controlling agency, coded<br>Code identifying a controlling agency.   |
| UN          | UN/CEFACT<br>United Nations Centre for Trade Facilitation and Electronic Business (UN/CEFACT).<br>GS1 Description:<br>UN Economic Commission for Europe (UN/ECE), Committee on the development of trade (TRADE), Working Party on facilitation of international trade procedures (WP.4).  |
| <b>0052</b> | Message version number<br>Version number of a message type.   |
| D           | Draft version/UN/EDIFACT Directory<br>Message approved and issued as a draft message (Valid for directories published after March 1993 and prior to March 1997). Message approved as a standard message (Valid for directories published after March 1997).   |
| <b>0054</b> | Message release number<br>Release number within the current message version number.   |
| 01B         | Release 2001 - B<br>Message approved and issued in the second 2001 release of the UNTDID (United Nations Trade Data Interchange Directory).   |

## Used Codes

---

|             |  |
|-------------|--|
| <b>0057</b> | Association assigned code<br>Code, assigned by the association responsible for the design and maintenance of the message type concerned, which further identifies the message.   |
| EAN007      | GS1 version control number (GS1 Permanent Code)<br>Indicates that the message is an EANCOM message in version 007.   |
| <b>0065</b> | Message type<br>Code identifying a type of message and assigned by its controlling agency.<br><br>Notes:<br>1. In UNSMs (United Nations Standard Messages), the representation is a6.  |
| SLSRPT      |  |
| <b>0081</b> | Section identification<br>Identification of the separation of sections of a message.   |
| S           | Detail/summary section separation<br>To qualify the segment UNS, when separating the detail from the summary section of a message.   |
| <b>1001</b> | Document name code<br>Code specifying the document name.   |
| 735         | Sales data report<br>A message enabling companies to exchange or report electronically, basic sales data related to products or services, including the corresponding location, time period, product identification, pricing and quantity information. It enables the recipient to process the information automatically and use it for production, marketing or statistical purposes.<br>GS1 Note: Replaces GS1 Temporary Code 73E. |
| <b>1131</b> | Code list identification code<br>Code identifying a user or association maintained code list.<br><br>Notes:<br>1. The codes for this data element are provided by the code list responsible agency defined in data element 3055.   |
| 23          | Clearing house automated payment<br>Self explanatory.<br><br>Notes:<br>This code value will be removed effective with directory D.04A.<br>GS1 Description:<br>Banking community' automated payment clearing system.  |



## Used Codes

---

|     |  |
|-----|--|
| 25  | <p>Bank identification<br/>Code for identification of banks.</p> <p>Notes:<br/>This code value will be removed effective with directory D.04A.</p>   |
| 106 | <p>Incoterms 1980<br/>(4110) Code to indicate applicable Incoterm (1980 edition) under which seller undertakes to deliver merchandise to buyer (ICC). Incoterms 1990: use 4053 only.</p> <p>Notes:<br/>This code value will be removed effective with directory D.04A.</p> |
| 132 | <p>Charge<br/>Identification of a type of charge.</p> <p>Notes:<br/>This code value will be removed effective with directory D.04A.</p>  |
| 154 | <p>Bank branch sorting identification<br/>Identification of a specific branch of a bank.</p> <p>Notes:<br/>This code value will be removed effective with directory D.04A.</p>   |
| 157 | <p>Clearing code<br/>Identification of the responsible bank/clearing house which has cleared or is ordered to do the clearing.</p> <p>Notes:<br/>This code value will be removed effective with directory D.04A.</p>   |
| 166 | <p>Social security identification<br/>Code assigned by the authority competent to issue social security identification to identify a person.</p> <p>Notes:<br/>This code value will be removed effective with directory D.04A.</p>   |
| 174 | <p>Citizen identification<br/>Self explanatory.</p> <p>Notes:<br/>This code value will be removed effective with directory D.04A.</p> <p>GS1 Description:<br/>Code issued by national authority competent to issue citizen identification to identify a person.</p>        |
| 1E  | <p>Incoterms 1990 (GS1 Temporary Code)<br/>Incoterms 1990 as published by the International Chamber of Commerce (ICC).</p>   |

## Used Codes

---

|     |  |
|-----|--|
| 2E  | Incoterms 2000 (GS1 Temporary Code)<br>Incoterms 2000 as published by the International Chamber of Commerce (ICC).   |
| 3E  | Incoterms 2010 (GS1 Temporary Code)<br>Incoterms 2010 as published by the International Chamber of Commerce (ICC).   |
| ADR | Accord Europeen au transport international dangereuses (GS1 Temporary Code)<br>A European agreement concerning the international carriage of dangerous goods by road.  |
| BR  | Brand (GS1 Temporary Code)<br>An identifying mark or label on the products of a particular company, or the kind or make of a commodity.  |
| CA  | Category (GS1 Temporary Code)<br>A class or division in a scheme of classification.  |
| CO  | Colour (GS1 Temporary Code)<br>Description of the colour required/available on the goods.  |
| FL  | Flavor (GS1 Temporary Code)<br>The characteristic quality of goods.  |
| HMT | Hazardous material standard text (GS1 Temporary Code)<br>Code indicating agreed standard text on hazardous materials.  |
| LOC | Location Code (GS1 Temporary Code)<br>This is a code to indicate where the EAS tag is located on the Trade Item. Values include On outside of Trade Item, Concealed inside Trade Item, Integrated Inside Trade Item.     |
| OAG | Organic Claim Agency (GS1 Temporary Code)<br>A governing body that creates and maintain standards related to organic products.   |
| OCO | Organic Trade Item Code (GS1 Temporary Code)<br>Used to indicate the organic status of a trade item or of one or more of its components.   |
| OUM | Ordering unit of measure (GS1 Temporary Code)<br>The alternate Unit of Measure of how Trade Items are ordered by the Retailer under one Unit of Measure, but sold under another Unit of Measure.                         |
| SKB | SKRS recommendation (GS1 Temporary Code)<br>SKRS recommendation for standard clothes hanger.   |
| SRN | Service relation number (GS1 Temporary Code)<br>A number used to identify a database entry which records recurring services, e.g., treatment of a patient in a hospital, usage by a member of a library facilities, etc. |

## Used Codes

|     |   |
|-----|---|
| ST  | Style (GS1 Temporary Code)<br>Specific or characteristic design in any goods.   |
| SUM | Selling unit of measure (GS1 Temporary Code)<br>Describes the measurement used for selling unit of the Trade Item to the end consumer.  |
| SZ  | Size (GS1 Temporary Code)<br>Any of a series of graded classifications of measure into which goods are divided.   |
| SZG | Size Group (GS1 Temporary Code)<br>A description of the variable size that is necessary to uniquely specify the size of the item in conjunction with the nonpackaged size dimension.                                  |
| TYP | Type Code (GS1 Temporary Code)<br>This is a code to indicate the type of EAS tag located on the Trade Item. Values include Acousto-Magnetic, Electro-Magnetic, Ink or dye, Microwave, Radio Frequency.                |
| X11 | Diet Allergen (GS1 Temporary Code)<br>Indication of which dietary or allergen marks that are on the package.  |
| X12 | Environment (GS1 Temporary Code)<br>Indication of which environmental marks (e.g. recycling schemes) that are on trade item package.  |
| X13 | Ethical (GS1 Temporary Code)<br>Indication of which ethical trading marks that are on the package.  |
| X14 | Free Form (GS1 Temporary Code)<br>Indication of which free-from marks that are on the package.  |
| X15 | Expiration date (GS1 Temporary Code)<br>Indicates the type of expiration date marked on the packaging.  |
| X16 | Nesting Direction (GS1 Temporary Code)<br>Depicts the arrangement of two items that nest together specifically whether they nest against each other or on top of each other.  |
| X17 | Package Marks Hygienic (GS1 Temporary Code)<br>Indication of which hygiene markings are present in the product package  |
| X18 | Hazardous Components are Removable (GS1 Temporary Code)<br>An indicator if any hazardous components contained within the trade item can easily be separated from the other materials to facilitate product recycling. |
| X19 | Trade Item Has Refuse Obligations (GS1 Temporary Code)<br>Indicates if there are special disposal obligations that apply to the trade item for example INTRASTAT.   |
| X20 | Trade Item Is Designed for Easy Disassembly (GS1 Temporary Code)<br>Indicates that the trade item is designed for easy disassembly by recycling facilities using standard industry tools.                             |

## Used Codes

|     |  |
|-----|--|
| X21 | Trade Item Is Rigid Plastic Packaging Container (GS1 Temporary Code)<br>Indicates that a product is or is contained in a Rigid Plastic Packaging Container (RPPC) as defined by laws in the target market.                                   |
| X22 | Trade Item Is ROHS Compliant (GS1 Temporary Code)<br>Indicates if the product is compliant with the European Union RoHS Directive.   |
| X23 | Trade Item Is Universal Waste (GS1 Temporary Code)<br>Indicates if a product can be considered universal waste.  |
| X24 | Trade Item Is Consumer Upgradeable Or Maintainable (GS1 Temporary Code)<br>Indicates if a product can be easily upgraded or have parts replaced by the consumer.   |
| X25 | Trade Item Contains Short Chain Chlorinated Paraffins (GS1 Temporary Code)<br>Indicate if the trade item and/or its components contain paints, coatings, plastics or other materials containing short chain chlorinated paraffins (SCCPs).   |
| X26 | Trade Item Contains Pesticide (GS1 Temporary Code)<br>Indicates if the trade item is advertised or labelled as a chemical or contains a chemical that is advertised or labelled to kill, repel or prevent the growth of any living organism. |
| X27 | Trade Item Contains Propellant (GS1 Temporary Code)<br>Indicates if a trade item contains a compressed gas or propellant.  |
| X28 | Trade Item Contains Polyvinyl Chloride (GS1 Temporary Code)<br>Indicate if product contains Polyvinyl Chloride (PVC), a widely used thermoplastic polymer.   |
| X29 | Trade Item Chemical Is Not Intended For Human Consumption (GS1 Temporary Code)<br>Indicates that the trade item is or contains a Liquid, Gel, Paste, Powder, or Flammable solid not intended for human consumption (ingested).               |
| X30 | ROHS Compliance Failure Material (GS1 Temporary Code)<br>The material used in the trade item that does not comply with the ROHS Directives   |
| X31 | Packaging Terms And Condition (GS1 Temporary Code)<br>Indicates if the packaging given in the described packaging configuration is a rented, exchangeable, against deposit or one way/not reusable.  |
| X32 | Warranty Effective Date Type (GS1 Temporary Code)<br>The type of date associated with the warranty trade item usually expressed as an event date for the item for example date of purchase, date of manufacture or date of delivery.         |
| X33 | Warranty Type (GS1 Temporary Code)<br>Type of warranty available for the part, e.g. labour, distance, extended service.  |

## Used Codes

---

|     |  |
|-----|--|
| X35 | <p>Warranty Constraint (GS1 Temporary Code)</p> <p>Defines the relationship between different guarantee terms, e.g. "and", "or", "the stronger", "the weaker".</p>   |
| X36 | <p>Seasonal Availability End Date (GS1 Temporary Code)</p> <p>Indicates the end date of the trade item's seasonal availability.</p>  |
| X37 | <p>Seasonal Availability Start Date (GS1 Temporary Code)</p> <p>Indicates the start date of the trade item's seasonal availability.</p>  |
| X38 | <p>Season Calendar Year (GS1 Temporary Code)</p> <p>This element indicates the calendar year in which the trade item is seasonally available.</p>  |
| X39 | <p>Season Parameter (GS1 Temporary Code)</p> <p>Indication of the season, in which the trade item is available.</p>  |
| X40 | <p>Trade Item Automatic Power Down is Enabled (GS1 Temporary Code)</p> <p>An indicator whether a product is enabled with auto power down feature when shipped to the customer.</p>   |
| X41 | <p>Electrical Usage Agency Code (GS1 Temporary Code)</p> <p>The agency that regulates electrical usage for products within a target market.</p>  |
| X42 | <p>Nesting Type (GS1 Temporary Code)</p> <p>Depicts whether a nested item fits inside or over the other item in a nesting relationship.</p>  |
| X43 | <p>Display Dimension Type Code (GS1 Temporary Code)</p> <p>Depicts certain display scenarios used for measurement.</p>   |
| X44 | <p>Manufacturer Has Take Back Program (GS1 Temporary Code)</p> <p>Indicates if the manufacturer of the trade item offers any take back programs to consumers for the product to be reused, remanufactured or recycled by the manufacturer.</p> |
| X45 | <p>Display Resolution (GS1 Temporary Code)</p> <p>The display resolution of a television or computer display.</p>  |
| X46 | <p>Orientation Preference Sequence (GS1 Temporary Code)</p> <p>Depicts the preferred sequence of orientation used to communicate the manufacturers relative preferences of orientation.</p>  |
| X47 | <p>Orientation Type (GS1 Temporary Code)</p> <p>Depicts via code a display orientation for a trade item.</p>   |
| X48 | <p>Electrical Usage Trade Item Classification Code (GS1 Temporary Code)</p> <p>A classification code value from a product classification scheme provided to drive required information for electrical usage.</p>                               |
| X49 | <p>Electrical Usage Trade Item Classification Name (GS1 Temporary Code)</p> <p>A classification name from a product classification scheme provided to drive required information for electrical usage.</p>                                     |

## Used Codes

---

|     |   |
|-----|---|
| X50 | Electrical Usage SubClassification Code (GS1 Temporary Code)<br>A sub-classification code value from a product classification scheme provided to drive required information for electrical usage.                           |
| X51 | Electrical Usage SubClassification Name (GS1 Temporary Code)<br>A sub-classification name provided to drive required information for electrical usage.  |
| X52 | Confirmation Status Code (GS1 Temporary Code)<br>The CIC Confirmation Code must be of a type of code number that can be generated automatically by a computer system.   |
| X53 | Confirmation Status Code Description (GS1 Temporary Code)<br>Provides the code description that matches up with the Code that can possibly be generated automatically by a computer system.                                 |
| X54 | Additional Confirmation Status Description (GS1 Temporary Code)<br>Provides a way to communicate human entered information that may not be covered by the machine to machine codes and descriptions.                        |
| X55 | Corrective Action (GS1 Temporary Code)<br>Provides the corrective action code to fix the issue that caused the problem.   |
| X56 | Expected Corrective Information (GS1 Temporary Code)<br>Provides the expected corrective information via a human entered information that may not be covered by the machine to machine codes.                               |
| X57 | Electrical Usage Trade Item Classification Agency (GS1 Temporary Code)<br>A classification agency or organisation whose product classification scheme is being provided to drive required information for electrical usage. |
| X58 | ASFIS (GS1 Permanent Code)<br>FAO alph-3 code list for fish species identification, commercial name & scientific name.  |
| X59 | FAO fishing areas (GS1 Permanent Code)<br>FAO fishing areas codelist.   |
| X60 | FAO Fishing gear type (GS1 Permanent Code)<br>FAO Fishing gear type codelist.   |
| X61 | EU fish quality (GS1 Permanent Code)<br>EU fish quality grade code list (E, A, B, C).   |
| X62 | EU fish size (GS1 Permanent Code)<br>EU fish standardized size code list (1, 2, 3, 4, 5 & One_Size).  |
| X63 | EU fish presentation (GS1 Permanent Code)<br>EU fish presentation code list (3 or 5 char alpha code).   |
| ZZZ | Mutually defined<br>Self explanatory.<br>Note : This code value will be removed effective with directory D.04A.   |

## Used Codes

---

|             |  |
|-------------|--|
| <b>1153</b> | Reference code qualifier<br>Code qualifying a reference.   |
| AAB         | Proforma invoice number<br>[1088] Reference number assigned by the seller to a Proforma Invoice.   |
| AAC         | Documentary credit number<br>[1172] Reference number assigned by issuing bank to a Documentary credit.   |
| AAF         | Debit card number<br>A reference number identifying a debit card.  |
| AAG         | Offer or quotation number<br>Reference number assigned by issuing party to an offer.   |
| AAJ         | Delivery order number<br>Reference number assigned by issuer to a delivery order.  |
| AAK         | Despatch advice number<br>Reference number assigned by issuing party to a despatch advice.   |
| AAL         | Drawing number<br>Reference number identifying a specific product drawing.   |
| AAM         | Waybill number<br>Reference number assigned to a waybill, see: 1001 = 700.   |
| AAN         | Delivery schedule number<br>Reference number assigned by buyer to a delivery schedule.   |
| AAO         | Consignee's shipment reference number<br>[1362] Reference assigned by the consignee to a shipment.   |
| AAQ         | Unit load device (e.g. container) identification number<br>[8260] Marks (letters and/or numbers) which identify a unit load device e.g. freight container.                 |
| AAS         | Transport document number<br>[1188] Reference assigned by the carrier or his agent to the transport document.  |
| AAT         | Master label number<br>Identifies the master label number of any package type.   |
| AAU         | Despatch note number<br>[1128] Reference number assigned by the seller to a Despatch Note.   |
| ABD         | Customs tariff number<br>(7357) Code number of the goods in accordance with the tariff nomenclature system of classification in use where the Customs declaration is made. |
| ABE         | Declarant's reference number<br>Unique reference number assigned to a document or a message by the declarant for identification purposes.                                  |

## Used Codes

---

|     |   |
|-----|---|
| ABO | Originator's reference<br>A unique reference assigned by the originator.  |
| ABP | Declarant's Customs identity number<br>Reference to the party whose posted bond or security is being declared in order to accept responsibility for a goods declaration and the applicable duties and taxes.                            |
| ABQ | Importer reference number<br>Reference number assigned by the importer to identify a particular shipment for his own purposes.  |
| ABT | Customs declaration number<br>[1426] Number, assigned or accepted by Customs, to identify a Goods declaration.  |
| ACD | Additional reference number<br>Reference number provided in addition to another given reference.  |
| ACE | Related document number<br>Reference number identifying a related document.   |
| ACK | Bank reference<br>Cross reference issued by financial institution.  |
| ACL | Principal reference number<br>A number that identifies the principal reference.   |
| ACW | Reference number to previous message<br>Reference number assigned to the message which was previously issued (e.g. in the case of a cancellation, the primary reference of the message to be cancelled will be quoted in this element). |
| ACX | Banker's acceptance<br>Reference number for banker's acceptance issued by the accepting financial institution.  |
| ADB | Matured certificate of deposit<br>Reference number for certificate of deposit allocated by issuing financial institution.   |
| ADC | Loan<br>Reference number for loan allocated by lending financial institution.   |
| ADD | Analysis number/test number<br>Number given to a specific analysis or test operation.   |
| ADE | Account number<br>Identification number of an account.  |
| AE  | Authorization for expense (AFE) number<br>A number that identifies an authorization for expense (AFE).<br>GS1 Description:<br>A number providing authorization for a party to incur an expense.   |



## Used Codes

---

|     |  |
|-----|--|
| AEK | Payment order number<br>A number that identifies a payment order.  |
| AER | Project specification number<br>Reference number identifying a project specification.  |
| AES | Primary reference<br>A number that identifies the primary reference.   |
| AFO | Beneficiary's reference<br>Reference of the beneficiary.   |
| AFS | Beneficiary's bank reference<br>Reference number of the beneficiary's bank.  |
| AGA | Agreement to pay number<br>A number that identifies an agreement to pay.<br>GS1 Description:<br>A reference number guaranteeing a payment.                 |
| AGB | Contract party reference number<br>Reference number assigned to a party for a particular contract.   |
| AGG | Dispute number<br>Reference number to a dispute notice.<br>GS1 Description:<br>A reference number identifying a previously transmitted commercial dispute. |
| AGT | Service group identification number<br>Identification used for a group of services.  |
| AGW | Scheme/plan number<br>Reference number assigned to a service scheme or plan.   |
| AHJ | Payee's reference number<br>Reference number of the party to be paid.  |
| AHL | Creditor's reference number<br>Reference number of the party to whom a debt is owed.   |
| AHM | Debtor's reference number<br>Reference number of the party who owes an amount of money.  |
| AHU | Request for quote number<br>Reference number assigned by the requestor to a request for quote.   |
| AID | Certificate of conformity<br>Certificate certifying the conformity to predefined definitions.  |
| AIJ | Customer's individual transaction reference number<br>Customer's reference number allocated by the customer to one specific transaction.                   |

## Used Codes

---

|     |  |
|-----|--|
| AIK | Bank's individual transaction reference number<br>Bank's reference number allocated by the bank to one specific transaction.   |
| AIZ | Consolidated invoice number<br>Invoice number into which other invoices are consolidated.  |
| AJS | Agreement number<br>A number specifying an agreement between parties.  |
| AJT | Standard Industry Classification (SIC) number<br>A number specifying a standard industry classification.   |
| AKJ | Direct debit reference<br>Reference number assigned to the direct debit operation.   |
| AKM | Replenishment purchase order range start number<br>Starting number of a range of purchase order numbers assigned by the buyer to vendor's replenishment orders.                                    |
| AKO | Action authorization number<br>A reference number authorizing an action.   |
| ALK | Consignee's invoice number<br>The invoice number assigned by a consignee.  |
| ALL | Message batch number<br>A number identifying a batch of messages.  |
| ALM | Previous delivery schedule number<br>A reference number identifying a previous delivery schedule.  |
| ALN | Physical inventory recount reference number<br>A reference to a re-count of physically held inventory.   |
| ALO | Receiving advice number<br>A reference number to a receiving advice.   |
| ALP | Returnable container reference number<br>A reference number identifying a returnable container.  |
| ALQ | Returns notice number<br>A reference number to a returns notice.   |
| ALR | Sales forecast number<br>A reference number identifying a sales forecast.  |
| ALS | Sales report number<br>A reference number identifying a sales report.  |
| ALT | Previous tax control number<br>A reference number identifying a previous tax control number.<br>GS1 Description:<br>A reference number identifying a previous Tax Control (TAXCON) message number. |

**Used Codes**

|     |  |
|-----|--|
| ALV | Registered capital reference<br>Registered capital reference of a company.   |
| AML | Replenishment purchase order range end number<br>Ending number of a range of purchase order numbers assigned by the buyer to vendor's replenishment orders.  |
| AMT | Goods and Services Tax identification number<br>An identification number assigned to an organization collecting Goods and Services Taxes (GST).  |
| ANJ | Authorization number<br>A number which uniquely identifies an authorization.   |
| ANL | Deposit reference number<br>A reference number identifying a deposit.<br>GS1 Description:<br>A reference number identifying a physical deposit made to a financial account by a party through the bank branch network. |
| ANX | Clearing reference<br>Reference allocated by a clearing procedure.   |
| ANZ | Direct debit reference<br>Reference of the direct debit.<br><br>Notes:<br>This code value will be removed effective with directory D.02A.  |
| AOA | Documentary payment reference<br>Reference of the documentary payment.   |
| AP  | Accounts receivable number<br>Reference number assigned by accounts receivable department to the account of a specific debtor.   |
| APF | Price/sales catalogue response reference number<br>A reference number identifying a response to a price/sales catalogue.   |
| APG | General purpose message reference number<br>A reference number identifying a general purpose message.<br>EDIFACT   |
| APH | Invoicing data sheet reference number<br>A reference number identifying an invoicing data sheet.   |
| API | Inventory report reference number<br>A reference number identifying an inventory report.   |
| APQ | Commercial account summary reference number<br>A reference number identifying a commercial account summary.  |
| AQQ | Activite Principale Exercee (APE) identifier<br>The French industry code for the main activity of a company.   |

## Used Codes

---

|     |  |
|-----|--|
| AQS | Nomenclature Activity Classification Economy (NACE) identifier<br>A European industry classification code used to identify the activity of a company.  |
| ARZ | Stock adjustment number<br>A number identifying a stock adjustment.  |
| ASE | Duty free products security number<br>A security number allocated for duty free products.  |
| ASF | Duty free products receipt authorisation number<br>Authorisation number allocated for the receipt of duty free products.   |
| ASG | Party information message reference<br>Reference identifying a party information message.  |
| ASI | Proof of delivery reference number<br>A reference number identifying a proof of delivery which is generated by the goods recipient.  |
| ASJ | Supplier's credit claim reference number<br>A reference number identifying a supplier's credit claim.  |
| ASK | Picture of actual product<br>Reference identifying the picture of an actual product.   |
| ASL | Picture of a generic product<br>Reference identifying a picture of a generic product.  |
| ASO | Password<br>Code used for authentication purposes.   |
| ASV | Product data file number<br>The number of a product data file.   |
| ATB | Purchase for export Customs agreement number<br>A number assigned by a Customs authority allowing the purchase of goods free of tax because they are to be exported immediately after the purchase.<br>EDIFACT |
| AUB | Party reference<br>The reference to a party  |
| AUD | Collection reference<br>A reference identifying a collection.  |
| AUG | Importer's letter of credit reference<br>Letter of credit reference issued by importer.  |
| AUJ | Proposed purchase order reference number<br>A reference number assigned to a proposed purchase order.  |
| AUK | Application for financial support reference number<br>Reference number assigned to an application for financial support.   |

## Used Codes

---

|     |  |
|-----|--|
| AUL | Manufacturing quality agreement number<br>Reference number of a manufacturing quality agreement.   |
| AUQ | Customs binding ruling number<br>Binding ruling number issued by customs.  |
| AUR | Customs non-binding ruling number<br>Non-binding ruling number issued by customs.  |
| AUY | International Standard Industrial Classification (ISIC) code<br>A code specifying an international standard industrial classification.   |
| AUZ | Customs pre-approval ruling number<br>Pre-approval ruling number issued by Customs.  |
| AVB | Product characteristics directory<br>A reference to a product characteristics directory.<br>EDIFACT  |
| AVD | Inventory report request number<br>A reference to a product characteristics directory.<br>EDIFACT  |
| AVG | Slaughterhouse approval number<br>Veterinary licence number allocated by a national authority to a Slaughterhouse.<br>EDIFACT  |
| AVH | Meat cutting plant approval number<br>Veterinary licence number allocated by a national authority to a meat cutting plant.<br>EDIFACT  |
| AVQ | Place of packing approval number<br>Approval Number of the place where goods are packaged.<br>Approval number of the place where goods are packaged. In the meat sector, some additional information is required for traceability purposes: cutting party, slaughterhouse, ... |
| AVS | Mandate Reference<br>Reference to a specific mandate given by the relevant party for underlying business or action.  |
| AWB | Air waybill number<br>Reference number assigned to an air waybill, see: 1001 = 740.  |
| AWS | Hygienic Certificate number, national<br>Nationally set Hygienic Certificate number, such as sanitary, epidemiologic.  |
| AWT | Administrative Reference Code<br>Reference number assigned by Customs to a 'shipment of excise goods'.   |

## Used Codes

---

|     |   |
|-----|---|
| AWV | Phone number<br>A sequence of digits used to call from one telephone line to another in a public telephone network.   |
| AWW | Buyer's fund number<br>A reference number indicating the fund number used by the buyer.<br>GS1 Note: Replaces GS1 Temporary Code BFN.   |
| AWX | Company trading account number<br>A reference number identifying a company trading account.<br>GS1 Note: Replaces GS1 Temporary Code CAN.   |
| AWY | Reserve goods identifier<br>A reference number identifying goods in stock which have been reserved for a party.<br>GS1 Note: Replaces GS1 Temporary Code GRN.                             |
| AWZ | Handling and movement reference number<br>A reference number identifying a previously transmitted cargo/goods handling and movement message.<br>GS1 Note: Replaces GS1 Temporary Code HN. |
| AXA | Instruction to despatch reference number<br>A reference number identifying a previously transmitted instruction to despatch message.<br>GS1 Note: Replaces GS1 Temporary Code IDR.        |
| AXB | Instruction for returns number<br>A reference number identifying a previously communicated instruction for return message.<br>GS1 Note: Replaces GS1 Temporary Code IRN.                  |
| AXC | Metered services consumption report number<br>A reference number identifying a previously communicated metered services consumption report.<br>GS1 Note: Replaces GS1 Temporary Code MSC. |
| AXD | Order status enquiry number<br>A reference number to a previously sent order status enquiry.<br>GS1 Note: Replaces GS1 Temporary Code OSC.  |
| AXE | Firm booking reference number<br>A reference number identifying a previous firm booking.<br>GS1 Note: Replaces GS1 Temporary Code PFB.  |
| AXF | Product inquiry number<br>A reference number identifying a previously communicated product inquiry.<br>GS1 Note: Replaces GS1 Temporary Code PIE.   |
| AXG | Split delivery number<br>A reference number identifying a split delivery.<br>GS1 Note: Replaces GS1 Temporary Code SDR.   |

## Used Codes

---

|     |  |
|-----|--|
| AXH | <p>Service relation number</p> <p>A reference number identifying the relationship between a service provider and a service client, e.g., treatment of a patient in a hospital, usage by a member of a library facility, etc.</p> <p>GS1 Note: Replaces GS1 Temporary Code SNR.</p> |
| AXI | <p>Serial shipping container code</p> <p>Reference number identifying a logisitc unit.</p> <p>GS1 Note: Replaces GS1 Temporary Code SSC.</p>   |
| AXJ | <p>Test specification number</p> <p>A reference number identifying a test specification.</p> <p>GS1 Note: Replaces GS1 Temporary Code TS.</p>  |
| AXK | <p>Transport status report number</p> <p>[1125] A reference number identifying a transport status report.</p> <p>GS1 Note: Replaces GS1 Temporary Code TSE.</p>  |
| AXL | <p>Tooling contract number</p> <p>A reference number of the tooling contract.</p> <p>GS1 Note: Replaces GS1 Temporary Code XB5.</p>  |
| AXM | <p>Formula reference number</p> <p>A reference number of a formula.</p> <p>GS1 Note: Replaces GS1 Temporary Code XB6.</p>  |
| AXN | <p>Pre-agreement number</p> <p>A reference number identifying a pre-agreement.</p> <p>GS1 Note: Replaces GS1 Temporary Code XB7.</p>   |
| AXO | <p>Product certification number</p> <p>Number assigned by a governing body (or their agents) to a product which certifies compliance with a standard.</p> <p>GS1 Note: Replaces GS1 Temporary Code XC1.</p>  |
| AXP | <p>Consignment contract number</p> <p>Reference number identifying a consignment contract.</p> <p>GS1 Note: Replaces GS1 Temporary Code XC3.</p>   |
| AXQ | <p>Product specification reference number</p> <p>Number assigned by the issuer to his product specification.</p> <p>GS1 Note: Replaces GS1 Temporary Code YA1.</p>   |
| AXR | <p>Payroll deduction advice reference</p> <p>A reference number identifying a payroll deduction advice.</p> <p>GS1 Note: Replaces GS1 Temporary Code YA9.</p>  |
| BC  | <p>Buyer's contract number</p> <p>Reference number assigned by buyer to a contract.</p>  |
| BFN | <p>Buyer's fund number (GS1 Temporary Code)</p> <p>A reference number indicating the fund number used by the buyer.</p> <p>GS1 Note: Code marked for deletion. Use value AWW instead.</p>  |

## Used Codes

---

|     |  |
|-----|--|
| BM  | Bill of lading number<br>Reference number assigned to a bill of lading, see: 1001 = 705.   |
| BN  | Booking reference number<br>[1016] Reference number assigned by the carrier or his agent when cargo space is reserved prior to loading.  |
| BO  | Blanket order number<br>Reference number assigned by the order issuer to a blanket order.  |
| BT  | Batch number/lot number<br>Reference number assigned by manufacturer to a series of similar products or goods produced under similar conditions.                               |
| CAN | Company trading account number (GS1 Temporary Code)<br>A reference number identifying a company trading account.<br>GS1 Note: Code marked for deletion. Use value AWX instead. |
| CBB | Order shipment grouping reference<br>A reference number identifying the grouping of purchase orders into one shipment.<br>GS1 Note: Replaces GS1 Temporary Code YB4.           |
| CD  | Credit note number<br>Reference number assigned to a credit note.  |
| CED | Debit Letter number<br>Reference number identifying the letter of debit document.<br>GS1 Note: Replaces GS1 Temporary Code YB8.  |
| CFF | Animal farm licence number<br>Veterinary licence number allocated by a national authority to an animal farm.<br>GS1 Note: Replaces GS1 Temporary Code YC3.                     |
| CH  | Customer catalogue number<br>Number identifying a catalogue for customer's usage.  |
| CK  | Cheque number<br>Unique number assigned to one specific cheque.  |
| CMR | Road consignment note number<br>Reference number assigned to a road consignment note, see: 1001 = 730.   |
| CN  | Carrier's reference number<br>Reference number assigned by carrier to a consignment.   |
| CNE | Consolidated reference number (GS1 Temporary Code)<br>A number identifying a consolidated reference.   |
| CO  | Buyers order number<br>[1022] Reference number assigned by the buyer to an order.  |
| COF | Call off order number<br>A number that identifies a call off order.  |



## Used Codes

---

|     |   |
|-----|---|
| CR  | Customer reference number<br>Reference number assigned by the customer to a transaction.  |
| CT  | Contract number<br>Reference number of a contract concluded between parties.  |
| CU  | Consignor's reference number<br>[1140] Reference number assigned by a consignor to a particular shipment for his own purposes or for those of the consignee.                            |
| CZ  | Cooperation contract number<br>Number issued by a party concerned given to a contract on cooperation of two or more parties.  |
| DDC | Direct debit contract reference (SWIFT Code)<br>A reference number identifying a direct debit contract.   |
| DL  | Debit note number<br>Reference number assigned by issuer to a debit note.   |
| DM  | Document number<br>[1004] Reference number assigned to the document by the issuer.  |
| DQ  | Delivery note number<br>Reference number assigned by the issuer to a delivery note.   |
| ECN | External consolidation reference number (GS1 Temporary Code)<br>A reference number assigned to identify an external consolidation.  |
| EID | Economic operator identifier (EO-ID) (GS1 Temporary Code)<br>Specify the economic operator identifier (EO-ID) number, e.g. in tobacco traceability.                                     |
| ERC | External recap reference number (GS1 Temporary Code)<br>A reference number identifying an external recap.   |
| EX  | Export licence number<br>[1208] Reference number assigned by issuing authority to an Export Licence.  |
| FC  | Fiscal number<br>Tax payer's number. Number assigned to individual persons as well as to corporates by a public institution; this number is different from the VAT registration number. |
| FF  | Freight forwarder's reference number<br>[1460] Reference number assigned to the consignment by the freight forwarder.   |
| FI  | File line identifier<br>Number assigned by the file issuer or sender to identify a specific line.   |
| FID | Facility identifier (F-ID) (GS1 Temporary Code)<br>Identifies the place, for example the POS or warehouse where tobacco products are traded.  |

## Used Codes

---

|     |   |
|-----|---|
| FV  | File version number<br>Number given to a version of an identified file.   |
| FX  | Foreign exchange contract number<br>Reference number identifying a foreign exchange contract.   |
| GC  | Government contract number<br>Number assigned to a specific government/public contract.   |
| GN  | Government reference number<br>A number that identifies a government reference.<br>GS1 Description:<br>This code value should not be used to provide the tax identification number for a party (use code VA).                   |
| GRN | Goods reserve number (GS1 Temporary Code)<br>A reference number identifying goods in stock which have been reserved for a party.<br>GS1 Note: Code marked for deletion. Use value AWY instead.                                  |
| HN  | Handling and movement reference number (GS1 Temporary Code)<br>A reference number identifying a previously transmitted cargo/goods handling and movement message.<br>GS1 Note: Code marked for deletion. Use value AWZ instead. |
| HS  | Harmonised system number<br>Number specifying the goods classification under the Harmonised Commodity Description and Coding System of the Customs Co-operation Council (CCC).  |
| HWB | House waybill number<br>Reference number assigned to a house waybill, see: 1001 = 703.  |
| IA  | Internal vendor number<br>Number identifying the company-internal vending department/unit.  |
| IDR | Instruction to despatch reference number (GS1 Temporary Code)<br>A reference number identifying a previously transmitted instruction to despatch message.<br>GS1 Note: Code marked for deletion. Use value AXA instead.         |
| IP  | Import licence number<br>[1106] Reference number assigned by the issuing authority to an Import Licence.  |
| IRN | Instruction for returns number (GS1 Temporary Code)<br>A reference number identifying a previously communicated instruction for return message.<br>GS1 Note: Code marked for deletion. Use value AXB instead.                   |
| IT  | Internal customer number<br>Number assigned by a seller, supplier etc. to identify a customer within his enterprise.  |

## Used Codes

---

|     |   |
|-----|---|
| IV  | Invoice number<br>[1334] Reference number assigned by the seller to a Commercial Invoice.   |
| LC  | Letter of credit number<br>Reference number identifying the letter of credit document.  |
| LI  | Line item reference number<br>(1156) Reference number identifying a particular line in a document.  |
| MB  | Master bill of lading number<br>Reference number assigned to a master bill of lading, see: 1001 = 704.  |
| MF  | Manufacturer's part number<br>Reference number assigned by the manufacturer to his product or part.   |
| MG  | Meter unit number<br>Number identifying a unique meter unit.  |
| MH  | Manufacturing order number<br>Reference number assigned by manufacturer for a given production quantity of products.  |
| MR  | Message recipient<br>A number that identifies the message recipient.<br>GS1 Description:<br>Party who receives the message.   |
| MS  | Message sender<br>A number that identifies the message sender.<br>GS1 Description:<br>Party who sends the message.  |
| MSC | Metered services consumption report (GS1 Temporary Code)<br>A reference number identifying a previously communicated metered services consumption report.<br>GS1 Note: Code marked for deletion. Use value AXC instead. |
| MSS | Manufacturer's material safety data sheet number<br>A number that identifies a manufacturer's material safety data sheet.   |
| MWB | Master air waybill number<br>Reference number assigned to a master air waybill, see: 1001 = 741.  |
| ON  | Order number (buyer)<br>[1022] Reference number assigned by the buyer to an order.  |
| OSE | Order status enquiry (GS1 Temporary Code)<br>A reference number to a previously sent order status enquiry.<br>GS1 Note: Code marked for deletion. Use value AXD instead.  |
| PB  | Payer's financial institution account number<br>Originated company account number (ACH transfer), check, draft or wire.   |

## Used Codes

---

|     |   |
|-----|---|
| PD  | Promotion deal number<br>Number assigned by a vendor to a special promotion activity.   |
| PFB | Firm booking reference number (GS1 Temporary Code)<br>A reference number identifying a previous firm booking.<br>GS1 Note: Code marked for deletion. Use value AXE instead.                   |
| PIE | Product inquiry number (GS1 Temporary Code)<br>A reference number identifying a previously communicated product inquiry number.<br>GS1 Note: Code marked for deletion. Use value AXF instead. |
| PK  | Packing list number<br>(1014) Reference number assigned to a packing list, see: 1001 = 271.   |
| PL  | Price list number<br>Reference number assigned to a price list.<br>GS1 Description:<br>This code should be used to identify a Price/Sales Catalogue (PRICAT) message.                         |
| POR | Purchase order response number<br>Reference number assigned by the seller to an order response.   |
| PP  | Purchase order change number<br>Reference number assigned by a buyer for a revision of a purchase order.  |
| PQ  | Payment reference<br>Reference number assigned to a payment.  |
| PR  | Price quote number<br>Reference number assigned by the seller to a quote.   |
| PW  | Prior purchase order number<br>Reference number of a purchase order previously sent to the supplier.  |
| PY  | Payee's financial institution account number<br>Receiving company account number (ACH transfer), check, draft or wire.  |
| RA  | Remittance advice number<br>A number that identifies a remittance advice.   |
| RAK | Rack identification (GS1 Temporary Code)<br>Identification of a warehouse rack in the location for shipment pick-up.  |
| RCE | Recap number (GS1 Temporary Code)<br>A reference number identifying a recap.  |
| RCN | Railway consignment note number<br>Reference number assigned to a rail consignment note, see: 1001 = 720.   |
| RF  | Export reference number<br>Reference number given to an export shipment.  |

## Used Codes

---

|     |  |
|-----|--|
| SB  | Sales region number<br>A number that identifies a sales region.  |
| SD  | Sales department number<br>A number that identifies a sales department.  |
| SDR | Split delivery reference number (GS1 Temporary Code)<br>A reference number identifying a split delivery.<br>GS1 Note: Code marked for deletion. Use value AXG instead.   |
| SE  | Serial number<br>Identification number of an item which distinguishes this specific item out of an number of identical items.  |
| SN  | Seal number<br>[9308] Identification number on Customs or other seals affixed to containers or other transport units.  |
| SNR | Service relation number (GS1 Temporary Code)<br>A number used to identify a database entry which records recurring services, e.g., treatment of a patient in a hospital, usage by a member of a library facility, etc.<br>GS1 Note: Code marked for deletion. Use value AXH instead. |
| SRN | Shipment reference number<br>Reference number assigned to a shipment.<br>GS1 Description:<br>Reference number assigned by a consignor to a particular shipment for his own purposes or for those of the consignee.   |
| SS  | Seller's reference number<br>Reference number assigned to a transaction by the seller.   |
| SSC | Serial shipping container code (GS1 Temporary Code)<br>Reference number identifying a serial shipping container or package.<br>GS1 Note: Code marked for deletion. Use value AXI instead.  |
| SZ  | Specification number<br>Number assigned by the issuer to his specification.  |
| TAU | Aggregated level unique identifier (aUI) (GS1 Temporary Code)<br>Reference the aggregated level unique identifier (aUI), e.g. in tobacco traceability.   |
| TIN | Transport instruction number<br>A reference number identifying a transport instruction.<br>EDIFACT   |
| TL  | Tax exemption licence number<br>Number assigned by the tax authorities to a party indicating its tax exemption authorization. This number could relate to a specified business type, a specified local area or a class of products.  |

## Used Codes

---

|     |   |
|-----|---|
| TP  | Test report number<br>Reference number identifying a test report document relevant to the product.  |
| TRB | Tribunal place registration number (GS1 Temporary Code)<br>Registration number of a company at the tribunal place.  |
| TS  | Test specification number (GS1 Temporary Code)<br>A reference number identifying a test specification.<br>GS1 Note: Code marked for deletion. Use value AXJ instead.  |
| TSE | Transport status number (GS1 Temporary Code)<br>A reference number identifying a transport status message.<br>GS1 Note: Code marked for deletion. Use value AXK instead.  |
| TUU | Aggregated level unique identifier (upUI) (GS1 Temporary Code)<br>Identifies the single pack of cigarettes issued by a central EU repository.   |
| UC  | Ultimate customer's reference number<br>The originator's reference number as forwarded in a sequence of parties involved.   |
| UCN | Unique consignment reference number<br>(1202) Unique reference of a consignment (UCRN) used for identification purposes in documents and messages exchanged between parties in international trade. See also: Unique Identifier Code (UNIC) in UN/ECE Recommendation No. 8, March 1992. |
| UO  | Ultimate customer's order number<br>The originator's order number as forwarded in a sequence of parties involved.   |
| VA  | VAT registration number<br>Unique number assigned by the relevant tax authority to identify a party for use in relation to Value Added Tax (VAT).   |
| VN  | Order number (supplier)<br>Reference number assigned by supplier to a buyer's purchase order.   |
| XA  | Company/place registration number<br>Company registration and place as legally required.  |
| XA4 | Account servicing bank reference (SWIFT Code)<br>A reference number allocated by an account servicing bank.   |
| XA5 | Customer to customer reference number (SWIFT Code)<br>A reference number exchanged between customers.   |
| XA6 | Third party reference number (SWIFT Code)<br>A number used to identify references related to third parties.   |
| XA8 | Credit card number (SWIFT Code)<br>A reference number identifying a credit card.  |
| XB1 | Clearing number (SWIFT Code)<br>A reference number identifying a clearing.  |

## Used Codes

---

|     |  |
|-----|--|
| XB5 | Tooling contract number (GS1 Temporary Code)<br>Number of the tooling contract.<br>GS1 Note: Code marked for deletion. Use value AXL instead.  |
| XB6 | Formula number (GS1 Temporary Code)<br>Number of the formula.<br>GS1 Note: Code marked for deletion. Use value AXM instead.  |
| XB7 | Pre-agreement number (GS1 Temporary Code)<br>Number identifying a pre-agreement.<br>GS1 Note: Code marked for deletion. Use value AXN instead.   |
| XC1 | Product certification number (GS1 Temporary Code)<br>Number assigned by a governing body (or their agents) to a product which certifies compliance with a standard.<br>GS1 Note: Code marked for deletion. Use value AXO instead.      |
| XC3 | Consignment contract number (GS1 Temporary Code)<br>Reference number identifying a consignment contract.<br>GS1 Note: Code marked for deletion. Use value AXP instead.   |
| YA1 | Product specification reference number (GS1 Temporary Code)<br>Number assigned by the issuer to his product specification.<br>GS1 Note: Code marked for deletion. Use value AXQ instead.   |
| YA3 | Numbering per year (GS1 Temporary Code)<br>Financial statement should be identified consecutively numbered per year.   |
| YA6 | Bank statement number (SWIFT Code)<br>A reference number identifying a bank statement.   |
| YA9 | Payroll deduction advice reference (GS1 Temporary Code)<br>A reference number identifying a payroll deduction advice.<br>GS1 Note: Code marked for deletion. Use value AXR instead.  |
| YB4 | Order shipment grouping reference (GS1 Temporary Code)<br>A reference number identifying the grouping of purchase orders into one shipment.<br>GS1 Note: Code marked for deletion. Use value CBB instead.                              |
| YB8 | Debit Letter (GS1 Temporary Code)<br>Reference number identifying the letter of debit document.<br>GS1 Note: Code marked for deletion. Use value CED instead.  |
| YC1 | Additional party identification (GS1 Temporary Code)<br>Reference number to an additional party identification. This number may be the internal trading partner identification number used by a party to identify its trading parties. |
| YC3 | Farm approval number (GS1 Temporary Code)<br>Veterinary licence number allocated by a national authority to an animal farm.  |

## Used Codes

---

|             |  |
|-------------|--|
| YC6         | Electrical and Electronic Equipment Producer registration number (GS1 Temporary Code)<br>National registration number of the producers of Electrical and Electronic Equipment  |
| YC7         | Batteries and Accumulators Producer registration number (GS1 Temporary Code)<br>National registration number of the producers of Batteries and Accumulators  |
| ZZZ         | Mutually defined reference number<br>Number based on party agreement.  |
| <b>1225</b> | Message function code<br>Code indicating the function of the message.  |
| 1           | Cancellation<br>Message cancelling a previous transmission for a given transaction.  |
| 2           | Addition<br>Message containing items to be added.<br>GS1 Description:<br>Message containing items (e.g. line items, goods items, customs items, equipment items) to be added to a previously sent message or existing data base. |
| 5           | Replace<br>Message replacing a previous message.   |
| 6           | Confirmation<br>Message confirming the details of a previous transmission where such confirmation is required or recommended under the terms of a trading partner agreement.   |
| 9           | Original<br>Initial transmission related to a given transaction.   |
| 31          | Copy<br>Indicates that the message is a copy of an original message that has been sent, e.g. for action or information.  |
| <b>2005</b> | Date or time or period function code qualifier<br>Code qualifying the function of a date, time or period.  |
| 90          | Report start date<br>The date on which a report is to begin.   |
| 91          | Report end date<br>The date on which a report is to end.   |
| 134         | Rate of exchange date/time<br>Date/time on which the exchange rate was fixed.  |



## Used Codes

---

|             |  |
|-------------|--|
| 137         | Document/message date/time<br>(2006) Date/time when a document/message is issued. This may include authentication.   |
| 171         | Reference date/time<br>Date/time on which the reference was issued.  |
| 356         | Sales date, and or time, and or period<br>The date, and or time, and or period on which a sale took place.   |
| <b>2379</b> | Date or time or period format code<br>Code specifying the representation of a date, time or period.  |
| 2           | DDMMYY<br>Calendar date: D = Day; M = Month; Y = Year.   |
| 101         | YYMMDD<br>Calendar date: Y = Year; M = Month; D = Day.   |
| 102         | CCYYMMDD<br>Calendar date: C = Century ; Y = Year ; M = Month ; D = Day.   |
| 104         | MMWW-MMWW<br>A period of time specified by giving the start week of a month followed by the end week of a month. Data is to be transmitted as consecutive characters without hyphen. |
| 107         | DDD<br>Day's number within a specific year: D = Day.   |
| 108         | WW<br>Week's number within a specific year: W = Week.  |
| 109         | MM<br>Month's number within a specific year: M = Month.  |
| 110         | DD<br>Day's number within is a specific month.   |
| 201         | YYMMDDHHMM<br>Calendar date including time without seconds: Y = Year; M = Month; D = Day; H = Hour; M = Minute.  |
| 203         | CCYYMMDDHHMM<br>Calendar date including time with minutes: C=Century; Y=Year; M=Month; D=Day; H=Hour; M=Minutes.   |
| 204         | CCYYMMDDHHMMSS<br>Calendar date including time with seconds: C=Century;Y=Year; M=Month; D=Day;H=Hour;M=Minute;S=Second.  |
| 401         | HHMM<br>Time without seconds: H = Hour; m = Minute.  |

## Used Codes

---

|     |   |
|-----|---|
| 501 | HHMMHHMM<br>Time span without seconds: H = Hour; m = Minute;.   |
| 502 | HHMMSS-HHMMSS<br>Format of period to be given without hyphen.   |
| 602 | CCYY<br>Calendar year including century: C = Century; Y = Year.   |
| 609 | YYMM<br>Month within a calendar year: Y = Year; M = Month.  |
| 610 | CCYYMM<br>Month within a calendar year: CC = Century; Y = Year; M = Month.  |
| 615 | YYWW<br>Week within a calendar year: Y = Year; W = Week 1st week of January = week 01.  |
| 616 | CCYYWW<br>Week within a calendar year: CC = Century; Y = Year; W = Week (1st week of January = week 01).  |
| 713 | YYMMDDHHMM-YYMMDDHHMM<br>Format of period to be given in actual message without hyphen.   |
| 715 | YYWW-YYWW<br>A period of time specified by giving the start week of a year followed by the end week of year (both not including century). Data is to be transmitted as consecutive characters without hyphen. |
| 717 | YYMMDD-YYMMDD<br>Format of period to be given in actual message without hyphen.   |
| 718 | CCYYMMDD-CCYYMMDD<br>Format of period to be given without hyphen.   |
| 719 | CCYYMMDDHHMM-CCYYMMDDHHMM<br>A period of time which includes the century, year, month, day, hour and minute. Format of period to be given in actual message without hyphen.                                   |
| 720 | DHHMM-DHHMM<br>Format of period to be given without hyphen (D=day of the week, 1=Monday; 2=Tuesday; ... 7=Sunday).  |
| 801 | Year<br>To indicate a quantity of years.  |
| 802 | Month<br>To indicate a quantity of months.  |
| 803 | Week<br>To indicate a quantity of weeks.  |

## Used Codes

---

|             |   |
|-------------|---|
| 804         | Day<br>To indicate a quantity of days.  |
| 805         | Hour<br>To indicate a quantity of hours.  |
| 806         | Minute<br>To indicate a quantity of minutes.  |
| 810         | Trimester<br>To indicate a quantity of trimesters (three months).   |
| 811         | Half month<br>To indicate a quantity of half months.  |
| 21E         | DDHHMM-DDHHMM (GS1 Temporary Code)<br>Format of period to be given in actual message without hyphen.  |
| <b>3035</b> | Party function code qualifier<br>Code giving specific meaning to a party.   |
| AB          | Buyer's agent/representative<br>Third party who arranged the purchase of merchandise on behalf of the actual buyer.   |
| ACD         | Party has access to all non publicly available data (GS1 Temporary Code)<br>The identified party has access to all non publicly available pricing and non-pricing data associated with the current product.       |
| ACN         | Party has access only to non publicly available non-pricing data (GS1 Temporary Code)<br>The identified party has access only to the non publicly available non-pricing data associated with the current product. |
| ACP         | Party has access only to non publicly available pricing data (GS1 Temporary Code)<br>The identified party has access only to the non publicly available pricing data associated with the current product.         |
| AE          | Declarant's agent/representative<br>Any natural or legal person who makes a declaration to an official body on behalf of another natural or legal person, where legally permitted (CCC).                          |
| AG          | Agent/representative<br>(3196) Party authorized to act on behalf of another party.  |
| AP          | Accepting party<br>(3352) Party accepting goods, products, services etc.  |
| AS          | Account servicing financial institution<br>Identifies the financial institution servicing the account(s).   |

## Used Codes

---

|     |   |
|-----|---|
| BE  | Beneficiary<br>The ultimate recipient of the funds. Normally the account owner who is reimbursed by the payor.                      |
| BF  | Beneficiary's bank<br>Identifies the account servicer for the beneficiary or the payee.   |
| BK  | Financial institution<br>Party acting as financial institution.   |
| BL  | Bill of lading recipient<br>Party to receive B/L.   |
| BO  | Broker or sales office<br>Party acting in the name of the seller as broker or as sales office.                                      |
| BQ  | Cheque drawn bank<br>Identifies the bank on which the cheque should be drawn, as instructed by the ordering customer.               |
| BS  | Bill and ship to<br>Party receiving goods and relevant invoice.   |
| BY  | Buyer<br>Party to whom merchandise and/or service is sold.  |
| CA  | Carrier<br>(3126) Party undertaking or arranging transport of goods between named points.   |
| CG  | Carrier's agent<br>Party authorized to act for or on behalf of carrier.   |
| CH  | Connecting carrier<br>Owner or operator of a transportation conveyance to which goods in a given transaction will be transferred.   |
| CK  | Empty equipment despatch party<br>Party from whose premises empty equipment will be or has been despatched.                         |
| CM  | Customs<br>Identification of customs authority relevant to the transaction or shipment.   |
| CN  | Consignee<br>(3132) Party to which goods are consigned.   |
| CO  | Corporate office<br>Identification of the Head Office within a company.   |
| COD | Quotation requesting party<br>The party sending the requests for quotation.<br>GS1 Note: Replaces GS1 Temporary Code QP.<br>EDIFACT |

## Used Codes

---

|     |  |
|-----|--|
| CPE | Central payment service (GS1 Temporary Code)<br>Master of the conveyance.<br>GS1 Description:<br>A party providing central (or consolidated payment) services. |
| CPU | Central procurement party (GS1 Temporary Code)<br>Party responsible for all aspects (e.g. tenders, orders, invoices, ..) of procurement.                       |
| CQ  | Cheque order<br>Party to which the cheque will be ordered, when different from the beneficiary.  |
| CR  | Empty equipment return party<br>Party to whose premises empty equipment will be or has been returned.  |
| CRB | Creditor's bank (SWIFT Code)<br>Identifies the account servicer for the creditor.  |
| CRE | Creditor (SWIFT Code)<br>The party to be credited with funds.  |
| CS  | Consolidator<br>Party consolidating various consignments, payments etc.  |
| CW  | Equipment owner<br>Owner of equipment (container, etc.).   |
| CX  | Consignee's agent<br>Party authorized to act on behalf of the consignee.   |
| CZ  | Consignor<br>(3336) Party which, by contract with a carrier, consigns or sends goods with the carrier, or has them conveyed by him. Synonym: shipper, sender.  |
| DBB | Debtor's bank (SWIFT Code)<br>Identifies the account servicer for the debtor.  |
| DCS | Temporary employee<br>A person employed on a temporary basis.  |
| DCT | Designer<br>A party who designs.   |
| DCU | Quotation delivered to<br>Party to whom the quotation is to be or has been delivered.<br>EDIFACT   |
| DCV | Developer<br>A party who develops.   |
| DCX | Party to receive refund<br>Party to whom a refund is given.  |

## Used Codes

---

|     |  |
|-----|--|
| DEF | Meat cutter<br>Person whose job is to cut up and/or mince meat.<br>EDIFACT   |
| DEQ | Shipper<br>Party responsible for the shipment of goods.  |
| DER | Source data pool<br>A data pool that supports the functionality required by a data source such as data loading, publication, notification, registration, etc.  |
| DES | Brand owner<br>The owner of a brand.   |
| DFZ | Article information responsible party<br>The party responsible for article information.<br>GS1 Note: Replaces GS1 Temporary Code IPD.  |
| DGA | Price information responsible party<br>The party responsible for price information.<br>GS1 Note: Replaces GS1 Temporary Code IPR.  |
| DGB | Invoice processing party<br>Party to whom the invoice is sent and who processes the invoice on behalf of the invoicee. Note, the invoicee is legally responsible for the invoice and can be different to the processing party.<br>GS1 Note: Replaces GS1 Temporary Code ITO. |
| DGC | Logistic service provider<br>A party providing logistic services for another party (e.g re-packing suppliers products) on products.<br>GS1 Note: Replaces GS1 Temporary Code LSP.  |
| DGD | Fattener<br>Party which provides fattening services.<br>GS1 Note: Replaces GS1 Temporary Code X51.   |
| DGE | Breeder<br>Party which provides breeding.<br>GS1 Note: Replaces GS1 Temporary Code X52.  |
| DL  | Factor<br>Company offering a financial service whereby a firm sells or transfers title to its accounts receivable to the factoring company.  |
| DM  | Party to whom documents are to be presented<br>Party to whom documents are to be presented.  |
| DP  | Delivery party<br>(3144) Party to which goods should be delivered, if not identical with consignee.<br>GS1 Description:<br>Party to which goods should be delivered, if not the same as the buyer.   |

## Used Codes

---

|    |  |
|----|--|
| DS | Distributor<br>Party distributing goods, financial payments or documents.  |
| EM | Party to receive electronic memo of invoice<br>Party being informed about invoice issue (via EDI).   |
| EO | Owner of equipment<br>Party who owns equipment.  |
| EX | Exporter<br>(3030) Party who makes - or on whose behalf a Customs clearing agent or other authorized person makes - an export declaration. This may include a manufacturer, seller or other person. Within a Customs union, consignor may have the same meaning as exporter. |
| FD | Buyer's parent company<br>Parent company, e.g. holding company.  |
| FP | Freight/charges payer<br>Party responsible for the payment of freight.   |
| FR | Message from<br>Party where the message comes from.  |
| FW | Freight forwarder<br>Party arranging forwarding of goods.  |
| GL | Socially insured person<br>A person who is registered in a social security scheme.   |
| GM | Inventory controller<br>To specifically identify the party in charge of inventory control.   |
| GO | Goods owner<br>The party which owns the goods.   |
| GQ | Slaughterer<br>Party or person who has undertaken or will undertake a slaughter.   |
| GW | Party fulfilling all operations<br>Code indicating the fact that the party identified carries out all operations within that company's activities.   |
| GX | Central catalogue party<br>Party controlling a central catalogue.  |
| GY | Inventory reporting party<br>Party reporting inventory information.  |
| GZ | Substitute supplier<br>Party which may be in a position to supply products or services should the main usual supplier be unable to do so.  |

## Used Codes

---

|     |  |
|-----|--|
| HP  | Final message recipient<br>To identify the final recipient of the message.   |
| HQ  | Owner of account (SWIFT Code)<br>Identifies the owner of the account.  |
| HX  | Debtor (SWIFT Code)<br>Party from whom payment is due.   |
| I1  | Intermediary bank 1<br>A financial institution between the ordered bank and the beneficiary's bank.  |
| I2  | Intermediary bank 2<br>A financial institution between the ordered bank and the beneficiary's bank.  |
| II  | Issuer of invoice<br>(3028) Party issuing an invoice.  |
| IM  | Importer<br>(3020) Party who makes - or on whose behalf a Customs clearing agent or other authorized person makes - an import declaration. This may include a person who has possession of the goods or to whom the goods are consigned.   |
| IN  | Insurer<br>A person or company offering insurance policies for premiums.   |
| IPA | Party information party (GS1 Temporary Code)<br>The party in a company who is responsible for the party information. The PARTIN message may be requested from or sent by this party.   |
| IPD | Article information party (GS1 Temporary Code)<br>The party in a company who is responsible for the pricing or other article information. The PRICAT or PRODAT messages may be requested from or sent by this party.<br>GS1 Note: Code marked for deletion. Use value DFZ instead.                               |
| IPR | Price information party (GS1 Temporary Code)<br>The party in a company who is responsible for the price information. The PRICAT message may be requested from or sent by this party.<br>GS1 Note: Code marked for deletion. Use value DGA instead.   |
| ITO | Invoice recipient party (GS1 Temporary Code)<br>Party to whom the invoice is sent and who processes the invoice on behalf of the invoicee. Note, the invoicee is legally responsible for the invoice and can be different to the processing party.<br>GS1 Note: Code marked for deletion. Use value DGB instead. |
| IV  | Invoicee<br>(3006) Party to whom an invoice is issued.   |
| JB  | Goods collection party<br>Party that will collect or has collected the goods.<br>GS1 Description:<br>Party that will collect or has collected the goods.   |



## Used Codes

---

|     |  |
|-----|--|
| LC  | Party declaring the Value Added Tax (VAT)<br>A code to identify the party who is responsible for declaring the Value Added Tax (VAT) on the sale of goods or services.   |
| LD  | Party recovering the Value Added Tax (VAT)<br>A code to identify the party who is eligible to recover the Value Added Tax (VAT) on the sale of goods or services.  |
| LF  | Buyer's corporate office<br>The identification of the buyer's corporate office.  |
| LG  | Supplier's corporate office<br>The identification of the supplier's corporate office.  |
| LP  | Loading party<br>Party responsible for the loading when other than carrier.  |
| LSP | Logistic Service Provider (GS1 Temporary Code)<br>A party providing logistic services for another party (e.g re-packing suppliers products) on products which may lead to added value for the product.<br>GS1 Note: Code marked for deletion. Use value DGC instead. |
| MA  | Party for whom item is ultimately intended<br>Party for whom item is ultimately intended.  |
| MF  | Manufacturer of goods<br>Party who manufactures the goods.   |
| MP  | Manufacturing plant<br>Self explanatory.<br>GS1 Description:<br>Industrial department of a company in which goods are manufactured with appropriate equipment and fittings.  |
| MR  | Message recipient<br>A party to receive a message or messages.   |
| MS  | Document/message issuer/sender<br>Issuer of a document and/or sender of a message.   |
| N1  | Notify party no. 1<br>The first party which is to be notified.   |
| N2  | Notify party no. 2<br>The second party which is to be notified.  |
| NFP | No function priority allocated (GS1 Temporary Code)<br>Code indicating that the party identified is capable of carrying out all or most functions within the party.  |
| NI  | Notify party<br>(3180) Party to be notified of arrival of goods.   |

## Used Codes

---

|    |  |
|----|--|
| OB | Ordered by<br>Party who issued an order.<br>GS1 Description:<br>Party who issued an order for goods and services.          |
| OR | Ordered bank<br>Identifies the account servicer for the ordering customer or payor.  |
| OS | Original shipper<br>The original supplier of the goods.  |
| OV | Owner of means of transport<br>(3126) Party owning the means of transport. No synonym of carrier = CA.                     |
| OY | Ordering customer<br>Identifies the originator of the instruction.<br>GS1 Description:<br>Only used in financial messages. |
| P1 | Contact party 1<br>First party to contact.   |
| P2 | Contact party 2<br>Second party to contact.  |
| PB | Paying financial institution<br>Financial institution designated to make payment.  |
| PE | Payee<br>Identifies the credit party when other than the beneficiary.  |
| PF | Party to receive freight bill<br>Party to whom the freight bill should be sent.  |
| PL | Payor<br>Identifies the debit party when other than the ordering customer (for banking purposes).                          |
| PO | Ordering party<br>To be used only if ordering party and buyer are not identical.   |
| PR | Payer<br>(3308) Party initiating payment.  |
| PW | Despatch party<br>(3282) Party where goods are collected or taken over by the carrier (i.e. if other than consignor).      |
| PX | Party to receive all documents<br>A party which is named to be the recipient of all documents.                             |

## Used Codes

---

|    |   |
|----|---|
| PY | <p>Checking party</p> <p>Party or contact designated on behalf of carrier or his agent to establish the actual figures for quantities, weight, volume and/or (cube) measurements of goods or containers which are to appear in the transport contract and on which charges will be based.</p> |
| RA | <p>Central bank or regulatory authority</p> <p>Identifies central bank or regulatory authority which must be informed of certain aspects of a message.</p>  |
| RB | <p>Receiving financial institution</p> <p>Financial institution designated to receive payment.</p>  |
| RE | <p>Party to receive commercial invoice remittance</p> <p>Party to whom payment for a commercial invoice or bill should be remitted.</p>   |
| RH | <p>Seller's financial institution</p> <p>Financial institution designated by seller to receive payment. RDFI (ACH transfers).</p>   |
| RV | <p>Receiver of cheque</p> <p>Identifies the party which is to receive the actual cheque, when different from the receiver of funds.</p>   |
| SA | <p>Sales person number (GS1 Temporary Code)</p> <p>The identification of a sales person number.<br/>GS1 Note: Code marked for deletion. Use value SE instead.</p>   |
| SE | <p>Seller</p> <p>(3346) Party selling merchandise to a buyer.<br/>GS1 Note: Replaces GS1 Temporary Code SA.</p>   |
| SF | <p>Ship from</p> <p>Identification of the party from where goods will be or have been shipped.</p>  |
| SN | <p>Store number</p> <p>A party keeping a shop or store.<br/>GS1 Description:<br/>Number allocated to identify a store.</p>  |
| SR | <p>Supplier's agent/representative</p> <p>(3254) Party representing the seller for the purpose of the trade transaction.<br/>GS1 Description:<br/>Party representing the supplier for the purpose of the trade transaction.</p>   |
| SS | <p>Social securities collector's office</p> <p>Party collecting social securities premiums.</p>   |
| ST | <p>Ship to</p> <p>Identification of the party to where goods will be or have been shipped.</p>  |

## Used Codes

---

|     |   |
|-----|---|
| SU  | Supplier<br>Party who supplies goods and/or services.<br>GS1 Description:<br>Party which provides service(s) and/or manufactures or otherwise has possession of goods, and consigns or makes them available in trade. |
| TC  | Tax collector's office<br>Party collecting taxes.   |
| TPE | Testing party (GS1 Temporary Code)<br>A party authorized to carry out a specified test.   |
| TS  | Party to receive certified test results<br>Party to whom the certified test results should be sent.   |
| UC  | Ultimate consignee<br>Party who has been designated on the invoice or packing list as the final recipient of the stated merchandise.  |
| UD  | Ultimate customer<br>The final recipient of goods.  |
| WH  | Warehouse keeper<br>(3022) Party taking responsibility for goods entered into a warehouse.  |
| WS  | Wholesaler<br>Seller of articles, often in large quantities, to be retailed by others.  |
| X47 | Cash register number (GS1 Temporary Code)<br>Number allocated to identify a cash register.  |
| X48 | Corporate identity (GS1 Temporary Code)<br>The identity of party to whom all other parties of the same commercial organisation are linked.  |
| X50 | Mincing plant (GS1 Temporary Code)<br>A place where the meat of animals is cut into very small pieces using a meat grinder.<br>GS1 Note: Code marked for deletion.  |
| X51 | Fattener (GS1 Temporary Code)<br>Party which fattens the animal.<br>GS1 Note: Code marked for deletion. Use value DGD instead.  |
| X52 | Breeder (GS1 Temporary Code)<br>Party which breeds the animal.<br>GS1 Note: Code marked for deletion. Use value DGE instead.  |
| X53 | Content Owner (GS1 Temporary Code)<br>Not available.<br>GS1 Note: Code marked for deletion.   |
| X54 | Temperature variation (GS1 Temporary Code)<br>Temperature variation upward or downward  |

## Used Codes

---

|             |   |
|-------------|---|
| X56         | No / missing loading space (GS1 Temporary Code)<br>The goods/consignment/equipment could not be loaded because of no/missing loading space.   |
| ZZZ         | Mutually defined<br>Party specification mutually agreed between interchanging parties.  |
| <b>3045</b> | Party name format code<br>Code specifying the representation of a party name.   |
| 1           | Name components in sequence as defined in description below<br>Name component 1: Family name. Name component 2: Given name or initials. Name component 3: Given name or initials. Name component 4: Maiden name. Name component 5: Title Group of name components transmitted in sequence with name component 1 transmitted first. The maiden name is the family name given at birth of a female. Other names are self-explanatory. |
| <b>3055</b> | Code list responsible agency code<br>Code specifying the agency responsible for a code list.  |
| 2           | CEC (Commission of the European Communities)<br>Generic: see also 140, 141, 142, 162.<br>GS1 Description:<br>Commission of the European Communities   |
| 3           | IATA (International Air Transport Association)<br>The airline industry's international organisation.<br>GS1 Description:<br>International Air Transport Association   |
| 5           | ISO (International Organization for Standardization)<br>International Organization of Standardization.  |
| 6           | UN/ECE (United Nations - Economic Commission for Europe)<br>United Nations Economic Commission for Europe.  |
| 7           | CEFIC (Conseil Europeen des Federations de l'Industrie Chimique)<br>EDI project for chemical industry.  |
| 8           | EDIFICE<br>Standardised electronic commerce forum for companies with interests in computing, electronics and telecommunications.<br>GS1 Description:<br>EDI Forum for companies with Interest in Computing and Electronics (EDI project for EDP/ADP sector).  |
| 9           | GS1<br>GS1 (formerly EAN International), an organisation of GS1 Member Organisations, which manages the GS1 System.<br>GS1 Description:<br>GS1 International.   |

## Used Codes

---

|     |  |
|-----|--|
| 10  | ODETTE<br>Organization for Data Exchange through Tele-Transmission in Europe<br>(European automotive industry project).  |
| 17  | S.W.I.F.T.<br>Society for Worldwide Interbank Financial Telecommunications s.c.  |
| 28  | EDITEUR (European book sector electronic data interchange group)<br>Code identifying the pan European user group for the book industry as an<br>organisation responsible for code values in the book industry.   |
| 60  | Assigned by national trade agency<br>The code list is from a national agency.  |
| 65  | GS1 France<br>Organisation responsible for GS1 System in France.   |
| 68  | GS1 Italy<br>Organisation responsible for GS1 System in Italy.   |
| 83  | US, National Retail Federation<br>The National Retail Federation is the trade association for the general<br>merchandise retailing industry. In addition to providing support and education<br>services, they also maintain and publish standard colour and size codes for the<br>retail industry. |
| 84  | DE, BRD (Gesetzgeber der Bundesrepublik Deutschland)<br>German legislature.  |
| 86  | Assigned by party originating the message<br>Codes assigned by the party originating the message.  |
| 87  | Assigned by carrier<br>Codes assigned by the carrier.  |
| 88  | Assigned by owner of operation<br>Assigned by owner of operation (e.g. used in construction).  |
| 89  | Assigned by distributor<br>Codes assigned by a distributor.  |
| 90  | Assigned by manufacturer<br>Code assigned by the manufacturer.   |
| 91  | Assigned by supplier or supplier's agent<br>Codes assigned by a seller or seller's agent.<br>GS1 Description:<br>Code assigned by the supplier or supplier's agent.  |
| 92  | Assigned by buyer or buyer's agent<br>Codes assigned by a buyer or buyer's agent.  |
| 112 | US, U.S. Census Bureau<br>The Bureau of the Census of the U.S. Dept. of Commerce.  |

**Used Codes**

|     |   |
|-----|---|
| 113 | GS1 US<br>Organisation responsible for GS1 System in the USA.   |
| 116 | US, ANSI ASC X12<br>American National Standards Institute ASC X12.  |
| 131 | DE, German Bankers Association<br>German Bankers' Association.  |
| 136 | GS1 UK<br>Organisation responsible for GS1 System in the UK.  |
| 137 | AT, Verband oesterreichischer Banken und Bankiers<br>Austrian bankers association.  |
| 174 | DE, DIN (Deutsches Institut fuer Normung)<br>German standardization institute.  |
| 182 | US, Standard Carrier Alpha Code (Motor)<br>Organisation maintaining the SCAC lists and transportation operating in North America.                                       |
| 194 | AU, AQIS (Australian Quarantine and Inspection Service)<br>Australian Quarantine and Inspection Service.  |
| 200 | GS1 Netherlands<br>Organisation responsible for GS1 System in the Netherlands.  |
| 245 | GS1 Denmark<br>Organisation responsible for GS1 System in Denmark.  |
| 246 | GS1 Germany<br>Organisation responsible for GS1 System in Germany.<br>GS1 Description:<br>German representative of International Article Numbering association (GS1).   |
| 260 | Ediel Nordic forum<br>A code to identify Ediel Nordic forum, which is an organization standardizing the use of EDI between the participants in the Nordic power market. |
| 281 | GS1 Belgium & Luxembourg<br>Organisation responsible for GS1 System in Belgium & Luxembourg.  |
| 286 | SE, TCO (Tjänstemännen Central Organisation)<br>The Swedish Confederation of Professional Employees.  |
| 294 | GS1 Austria<br>Organisation responsible for the GS1 System in Austria.  |
| 295 | AU, Therapeutic Goods Administration<br>Austrialian administration responsible for the regulation of therapeutic goods in Australia.<br>EDIFACT                         |

## Used Codes

---

|     |   |
|-----|---|
| 297 | IT, Ufficio IVA<br>Ufficio responsabile gestione partite IVA, Italy (Italian Institute issuing VAT registration numbers).<br>EDIFACT                              |
| 298 | GS1 Spain<br>Organisation responsible for the GS1 System in Spain.  |
| 316 | GS1 Finland<br>Organisation responsible for the GS1 system in Finland.  |
| 317 | GS1 Brazil<br>Organisation responsible for the GS1 system in Brazil.  |
| 324 | GS1 Ireland<br>Organisation responsible for the GS1 system in Ireland.  |
| 325 | GS1 Russia<br>Organisation responsible for the GS1 system in Russia.  |
| 326 | GS1 Poland<br>Organisation responsible for the GS1 system in Poland.  |
| 327 | GS1 Estonia<br>Organisation responsible for the GS1 system in Estonia.  |
| 376 | PANTONE<br>Color code controlling organisation  |
| 400 | FAO (Food and Agriculture Organisation)<br>Food and Agriculture Organisation of the United Nations.   |
| 403 | Comite Europeen de Normalisation<br>Comite Européen de Normalisation (CEN), European committee for standardisation.<br>GS1 Note: Replaces GS1 Temporary Code CEN. |
| 404 | Assigned by logistics service provider<br>Codes assigned by a logistics service provider.<br>GS1 Note: Replaces GS1 Temporary Code X6.                            |
| CEN | Comite European de Normalisation (GS1 Temporary Code)<br>Comite European de Normalisation.<br>GS1 Note: Code marked for deletion. Use value 403 instead.          |
| PMS | Pantone Matching System (GS1 Temporary Code)<br>Pantone Matching System.  |
| RAL | DE, Deutsches Institut fuer Guetesicherung und Kennzeichnung (GS1 Temporary Code)<br>German Institute for Quality Assurance and Certification.                    |



## Used Codes

---

|             |  |
|-------------|--|
| X5          | IT, Ufficio IVA (GS1 Temporary Code)<br>Ufficio responsabile gestione partite IVA, Italy (Italian Institute issuing VAT registration numbers).                                     |
| X6          | Assigned by logistics service provider (GS1 Temporary Code)<br>Codes assigned by the logistics service provider.<br>GS1 Note: Code marked for deletion. Use value 404 instead.     |
| ZZZ         | Mutually defined<br>A code assigned within a code list to be used on an interim basis and as defined among trading partners until a precise code can be assigned to the code list. |
| <b>3139</b> | Contact function code<br>Code specifying the function of a contact (e.g. department or person).  |
| AA          | Insurance contact<br>Department/person to contact for matters regarding insurance.   |
| AD          | Accounting contact<br>The contact responsible for accounting matters.  |
| AE          | Contract contact<br>Department/person to contact for matters regarding contracts.  |
| AM          | Claims contact<br>Department/person to contact for matters regarding claims.   |
| AP          | Accounts payable contact<br>Department/person responsible for the accounts payable function within a corporation.  |
| AR          | Accounts receivable contact<br>Department/person responsible for the accounts receivable within a corporation.   |
| BC          | Banking contact<br>Contact person for bank.  |
| BJ          | Department or person responsible for processing purchase order<br>Identification of the department or person responsible for the processing of purchase orders.                    |
| BN          | Certification contact<br>Code specifying a contact with knowledge of a certification action.   |
| BO          | After business hours contact<br>Department/person to contact after normal working hours.   |
| BR          | Cook<br>Person responsible for cooking.<br>GS1 Note: Replaces GS1 Temporary Code CKE.  |

**Used Codes**

|     |  |
|-----|--|
| CB  | Changed by<br>Person who made the change.  |
| CKE | Cook (GS1 Temporary Code)<br>Person responsible for cooking.<br>GS1 Note: Code marked for deletion. Use value BR instead.                                    |
| CN  | Consignee<br>(3132) Party to which goods are consigned.  |
| CO  | Consignor<br>(3336) Party which, by contract with a carrier, consigns or sends goods with the carrier, or has them conveyed by him. Synonym: shipper/sender. |
| CP  | Responsible person for computer data processing<br>Responsible person to contact for matters regarding computer data processing.                             |
| CR  | Customer relations<br>Individual responsible for customer relations.   |
| DE  | Department/employee to execute export procedures<br>Department/employee which/who executes export procedures.  |
| DI  | Department/employee to execute import procedures<br>Department/employee which/who executes import procedures.  |
| DL  | Delivery contact<br>Department/person responsible for delivery.  |
| ED  | Engineering contact<br>Department/person to contact for matters regarding engineering.   |
| GR  | Goods receiving contact<br>Department/person responsible for receiving the goods at the place of delivery.   |
| HE  | Emergency dangerous goods contact<br>Party who is to be contacted to intervene in case of emergency.   |
| HG  | Dangerous goods contact<br>Department/person to be contacted for details about the transportation of dangerous goods/hazardous material.                     |
| IC  | Information contact<br>Department/person to contact for questions regarding transactions.  |
| LO  | Place of collection contact<br>Department/employee to be contacted at the place of collection.   |
| MGR | Manager (GS1 Temporary Code)<br>Person responsible for management within a department or company.  |
| NT  | Notification contact<br>Department/employee to be notified.  |

## Used Codes

---

|             |   |
|-------------|---|
| OC          | Order contact<br>An individual to contact for questions regarding this order.   |
| PD          | Purchasing contact<br>Department/person responsible for issuing this purchase order.  |
| PM          | Product management contact<br>Department/person to contact for questions regarding this order.  |
| QC          | Quality coordinator contact<br>Quality coordinator contact within an organization.  |
| SA          | Sales administration<br>Name of the sales administration contact within a corporation.  |
| SD          | Shipping contact<br>The shipping department contact within an organization.   |
| SR          | Sales representative or department<br>The sales representative or department contact within an organization.                            |
| TA          | Traffic administrator<br>The traffic administrator contact within an organization.  |
| TD          | Test contact<br>Department/person responsible for testing contact.  |
| TR          | Transport contact<br>Department/person in charge of transportation.   |
| WH          | Warehouse<br>The warehouse contact within an organization.  |
| <b>3155</b> | Communication address code qualifier<br>Code qualifying the communication address.  |
| AL          | Cellular phone<br>Identifies the cellular phone number.   |
| AO          | Uniform Resource Location (URL)<br>Identification of the Uniform Resource Location (URL)<br>Synonym: World wide web address.<br>EDIFACT |
| AQ          | X.400 address for mail text<br>The X.400 address accepting information in the body text of a message.                                   |
| AR          | AS1 address<br>Address capable of receiving messages in accordance with the EDIINT/AS1 protocol for MIME based EDI .                    |

## Used Codes

---

|     |  |
|-----|--|
| AS  | AS2 address<br>Address capable of receiving messages in accordance with the EDIINT/AS2 protocol.   |
| AT  | AS3 address<br>Address capable of receiving messages in accordance with the EDIINT/AS3 protocol.   |
| AU  | File Transfer Protocol<br>Address capable for receiving message in accordance with the File Transfer Protocol (IETF RFC 959 et. al.).  |
| CA  | Cable address<br>The communication number identifies a cable address.  |
| EI  | EDI<br>Number identifying the service and service user.  |
| EM  | Electronic mail<br>Exchange of mail by electronic means.<br>GS1 Description:<br>Creating/sending/receiving of unstructured free text messages or documents using computer network, a mini-computer or an attached modem and regular telephone line or other electronic transmission media. |
| EXI | Exite mail (GS1 Temporary Code)<br>Requests that the file shall be returned via Exite.<br>GS1 Note: Code marked for deletion.  |
| FX  | Fax<br>Device used for transmitting and reproducing fixed graphic material (as printing) by means of signals over telephone lines or other electronic transmission media.  |
| IA  | Interchange address (GS1 Temporary Code)<br>Code identifying an EDI interchange address.   |
| TE  | Telephone<br>Voice/data transmission by telephone.   |
| TL  | Telex<br>Transmission of text/data via telex.  |
| XF  | X.400<br>The X.400 address.<br>GS1 Description:<br>CCITT Message handling system.  |
| XG  | Pager<br>Identifies that the communication number is for a pager.  |

## Used Codes

---

### 3207

Country name code

| Identification of the name of the country or other geographical entity as defined in ISO 3166-1.

Notes:

| 1. Use ISO 3166-1 two alpha country code.

|    |                                  |
|----|----------------------------------|
| AD | Andorra                          |
| AE | United Arab Emirates             |
| AF | Afghanistan                      |
| AG | Antigua and Barbuda              |
| AI | Anguilla                         |
| AL | Albania                          |
| AM | Armenia                          |
| AO | Angola                           |
| AQ | Antarctica                       |
| AR | Argentina                        |
| AS | American Samoa                   |
| AT | Austria                          |
| AU | Australia                        |
| AW | Aruba                            |
| AX | Åland Islands                    |
| AZ | Azerbaijan                       |
| BA | Bosnia and Herzegovina           |
| BB | Barbados                         |
| BD | Bangladesh                       |
| BE | Belgium                          |
| BF | Burkina Faso                     |
| BG | Bulgaria                         |
| BH | Bahrain                          |
| BI | Burundi                          |
| BJ | Benin                            |
| BL | Saint Barthélemy                 |
| BM | Bermuda                          |
| BN | Brunei Darussalam                |
| BO | Bolivia (Plurinational State of) |

**Used Codes**

---

|    |                                  |
|----|----------------------------------|
| BQ | Bonaire, Sint Eustatius and Saba |
| BR | Brazil                           |
| BS | Bahamas                          |
| BT | Bhutan                           |
| BV | Bouvet Island                    |
| BW | Botswana                         |
| BY | Belarus                          |
| BZ | Belize                           |
| CA | Canada                           |
| CC | Cocos (Keeling) Islands          |
| CD | Congo, Democratic Republic of    |
| CF | Central African Republic         |
| CG | Congo                            |
| CH | Switzerland                      |
| CI | Cote D'Ivoire                    |
| CK | Cook Islands                     |
| CL | Chile                            |
| CM | Cameroon                         |
| CN | China                            |
| CO | Colombia                         |
| CR | Costa Rica                       |
| CU | Cuba                             |
| CV | Cape Verde                       |
| CW | Curaçao                          |
| CX | Christmas Island                 |
| CY | Cyprus                           |
| CZ | Czechia                          |
| DE | Germany                          |
| DJ | Djibouti                         |
| DK | Denmark                          |
| DM | Dominica                         |
| DO | Dominican Republic               |
| DZ | Algeria                          |

**Used Codes**

|    |  |
|----|--|
| EC | Ecuador  |
| EE | Estonia  |
| EG | Egypt  |
| EH | Western Sahara                                       |
| ER | Eritrea  |
| ES | Spain  |
| ET | Ethiopia   |
| FI | Finland  |
| FJ | Fiji   |
| FK | Falkland Islands (Malvinas)                          |
| FM | Micronesia (Federated States of)                     |
| FO | Faroe Islands  |
| FR | France   |
| GA | Gabon  |
| GB | United Kingdom of Great Britain and Northern Ireland |
| GD | Grenada  |
| GE | Georgia  |
| GF | French Guiana  |
| GG | Guernsey   |
| GH | Ghana  |
| GI | Gibraltar  |
| GL | Greenland  |
| GM | Gambia   |
| GN | Guinea   |
| GP | Guadeloupe   |
| GQ | Equatorial Guinea                                    |
| GR | Greece   |
| GS | South Georgia and the South Sandwich Islands         |
| GT | Guatemala  |
| GU | Guam   |
| GW | Guinea-Bissau  |
| GY | Guyana   |
| HK | Hong Kong  |

**Used Codes**

|    |   |
|----|---|
| HM | Heard Island and Mcdonald Islands       |
| HN | Honduras                                |
| HR | Croatia                                 |
| HT | Haiti                                   |
| HU | Hungary                                 |
| ID | Indonesia                               |
| IE | Ireland                                 |
| IL | Israel                                  |
| IM | Isle Of Man                             |
| IN | India                                   |
| IO | British Indian Ocean Territory          |
| IQ | Iraq                                    |
| IR | Iran (Islamic Republic of)              |
| IS | Iceland                                 |
| IT | Italy                                   |
| JE | Jersey                                  |
| JM | Jamaica                                 |
| JO | Jordan                                  |
| JP | Japan                                   |
| KE | Kenya                                   |
| KG | Kyrgyzstan                              |
| KH | Cambodia                                |
| KI | Kiribati                                |
| KM | Comoros                                 |
| KN | Saint Kitts and Nevis                   |
| KP | Korea (Democratic People'S Republic of) |
| KR | Korea, Republic of                      |
| KW | Kuwait                                  |
| KY | Cayman Islands                          |
| KZ | Kazakhstan                              |
| LA | Lao People'S Democratic Republic        |
| LB | Lebanon                                 |
| LC | Saint Lucia                             |



**Used Codes**

|    |  |
|----|--|
| LI | Liechtenstein                              |
| LK | Sri Lanka                                  |
| LR | Liberia                                    |
| LS | Lesotho                                    |
| LT | Lithuania                                  |
| LU | Luxembourg                                 |
| LV | Latvia                                     |
| LY | Libya                                      |
| MA | Morocco                                    |
| MC | Monaco                                     |
| MD | Moldova, Republic of                       |
| ME | Montenegro                                 |
| MF | Saint Martin (French Part)                 |
| MG | Madagascar                                 |
| MH | Marshall Islands                           |
| MK | Macedonia, the Former Yugoslav Republic of |
| ML | Mali                                       |
| MM | Myanmar                                    |
| MN | Mongolia                                   |
| MO | Macao                                      |
| MP | Northern Mariana Islands                   |
| MQ | Martinique                                 |
| MR | Mauritania                                 |
| MS | Montserrat                                 |
| MT | Malta                                      |
| MU | Mauritius                                  |
| MV | Maldives                                   |
| MW | Malawi                                     |
| MX | Mexico                                     |
| MY | Malaysia                                   |
| MZ | Mozambique                                 |
| NA | Namibia                                    |
| NC | New Caledonia                              |

**Used Codes**

---

|    |                           |
|----|---------------------------|
| NE | Niger                     |
| NF | Norfolk Island            |
| NG | Nigeria                   |
| NI | Nicaragua                 |
| NL | Netherlands               |
| NO | Norway                    |
| NP | Nepal                     |
| NR | Nauru                     |
| NU | Niue                      |
| NZ | New Zealand               |
| OM | Oman                      |
| PA | Panama                    |
| PE | Peru                      |
| PF | French Polynesia          |
| PG | Papua New Guinea          |
| PH | Philippines               |
| PK | Pakistan                  |
| PL | Poland                    |
| PM | Saint Pierre and Miquelon |
| PN | Pitcairn                  |
| PR | Puerto Rico               |
| PS | Palestine, State of       |
| PT | Portugal                  |
| PW | Palau                     |
| PY | Paraguay                  |
| QA | Qatar                     |
| RE | Reunion                   |
| RO | Romania                   |
| RS | Serbia                    |
| RU | Russian Federation        |
| RW | Rwanda                    |
| SA | Saudi Arabia              |
| SB | Solomon Islands           |

**Used Codes**

|    |  |
|----|--|
| SC | Seychelles                                   |
| SD | Sudan  |
| SE | Sweden                                       |
| SG | Singapore                                    |
| SH | Saint Helena, Ascension and Tristan da Cunha |
| SI | Slovenia                                     |
| SJ | Svalbard and Jan Mayen                       |
| SK | Slovakia                                     |
| SL | Sierra Leone                                 |
| SM | San Marino                                   |
| SN | Senegal                                      |
| SO | Somalia                                      |
| SR | Suriname                                     |
| SS | South Sudan                                  |
| ST | Sao Tome and Principe                        |
| SV | El Salvador                                  |
| SX | Sint Maarten (Dutch part)                    |
| SY | Syrian Arab Republic                         |
| SZ | Swaziland                                    |
| TC | Turks and Caicos Islands                     |
| TD | Chad   |
| TF | French Southern Territories                  |
| TG | Togo   |
| TH | Thailand                                     |
| TJ | Tajikistan                                   |
| TK | Tokelau                                      |
| TL | Timor-Leste                                  |
| TM | Turkmenistan                                 |
| TN | Tunisia                                      |
| TO | Tonga  |
| TR | Turkey                                       |
| TT | Trinidad and Tobago                          |
| TV | Tuvalu                                       |

## Used Codes

---

|    |                                      |
|----|--------------------------------------|
| TW | Taiwan, Province of China            |
| TZ | Tanzania, United Republic of         |
| UA | Ukraine                              |
| UG | Uganda                               |
| UM | United States Minor Outlying Islands |
| US | United States of America             |
| UY | Uruguay                              |
| UZ | Uzbekistan                           |
| VA | Holy See                             |
| VC | Saint Vincent and the Grenadines     |
| VE | Venezuela (Bolivarian Republic of)   |
| VG | Virgin Islands, British              |
| VI | Virgin Islands, U.S.                 |
| VN | Viet Nam                             |
| VU | Vanuatu                              |
| WF | Wallis and Futuna                    |
| WS | Samoa                                |
| YE | Yemen                                |
| YT | Mayotte                              |
| ZA | South Africa                         |
| ZM | Zambia                               |
| ZW | Zimbabwe                             |

### 3227

Location function code qualifier  
Code identifying the function of a location.

- |   |   |
|---|---|
| 1 | Place of terms of delivery<br>(3018) Point or port of departure, shipment or destination, as required under the applicable terms of delivery, e.g. Incoterms. |
| 2 | Payment place<br>Place where funds are to be, or have been made available to the creditor.  |
| 5 | Place of departure<br>(3214) Port, airport or other location from which a means of transport or transport equipment is scheduled to depart or has departed.   |
| 7 | Place of delivery<br>(3246) Place to which the goods are to be finally delivered under transport contract terms (operational term).                           |

**Used Codes**

|    |   |
|----|---|
| 8  | Place of destination<br>Port, airport or other location to which a means of transport or transport equipment is destined.   |
| 9  | Place/port of loading<br>(3334 + 3230) Seaport, airport, freight terminal, rail station or other place at which the goods (cargo) are loaded on to the means of transport being used for their carriage.  |
| 10 | Place of acceptance<br>(3348) Place at which the goods are taken over by the carrier.   |
| 11 | Place/port of discharge<br>(3392 + 3414) Seaport, airport, freight terminal, rail station or other place at which the goods (cargo) are unloaded from the means of transport having been used for their carriage.   |
| 13 | Place of transshipment<br>(3424) Place where goods are transferred from one means of transport to another (operational term).   |
| 14 | Location of goods<br>(3384) Place where goods are located and where they are available for examination.   |
| 17 | Border crossing place<br>Place where goods are transported across a country border.   |
| 18 | Warehouse<br>(3156) Warehouse where a particular consignment has been stored.   |
| 19 | Factory/plant<br>Factory/plant relevant for a particular consignment.   |
| 22 | Customs office of clearance<br>(3080) Place where Customs clearance procedure occur (CCC).  |
| 24 | Port of entry<br>Port where final documentation is filed for Customs Entry processing.  |
| 27 | Country of origin<br>[3238] Country in which the goods have been produced or manufactured, according to criteria laid down for the purposes of application of the Customs tariff, of quantitative restrictions, or of any other measure related to trade. |
| 28 | Country of destination of goods<br>Country to which the goods are to be delivered.  |
| 30 | Country of source<br>Country in which raw material or components were originally produced prior to manufacture or assembly in another country.  |

## Used Codes

---

|    |  |
|----|--|
| 33 | <p>Baseport of discharge</p> <p>The port of discharge according to the tariff as opposed to the operational port of discharge. The goods may or may not be actually discharged at that port on the main transport.</p>   |
| 34 | <p>Baseport of loading</p> <p>The port of loading according to the tariff as opposed to the operational port of loading. The goods may or may not be actually loaded at that port on the main transport.</p>   |
| 35 | <p>Country of exportation/despatch</p> <p>(3220) Country from which the goods were initially exported to the importing country without any commercial transaction taking place in intermediate countries. Syn.: country whence consigned. Country of despatch: country from which goods are despatched between countries of a Customs union.</p> |
| 36 | <p>Country of ultimate destination</p> <p>(3216) Country known to the consignor or his agent at the time of despatch to be the final country to which the goods are to be delivered.</p>   |
| 37 | <p>Country of last consignment</p> <p>[3331] Country where the goods are loaded onto the means of transport used for their importation.</p>  |
| 38 | <p>Country of first destination</p> <p>[3219] Country where the goods are offloaded from the means of transport used for their exportation.</p>  |
| 39 | <p>Country of production</p> <p>Country where item has been or will be produced.</p>   |
| 40 | <p>Country of trading</p> <p>Country where item has been or will be traded.</p>  |
| 42 | <p>Customs office of exit</p> <p>[3096] Customs office at which the goods leave the country of dispatch/export.</p>  |
| 45 | <p>Customs office of destination (transit)</p> <p>(3086) Customs office at which a transit operation is terminated. Synonym: Customs office of transit termination.</p>  |
| 47 | <p>Region of destination</p> <p>Region known to the consignor or his agent at the time of despatch to be the final region to which the goods are to be delivered.</p>  |
| 53 | <p>Charge and freight due from</p> <p>Place or point from which charges and freight are charged.</p>   |
| 55 | <p>Charges and freight payable to</p> <p>[3274] Name of place up to which freight charges and other charges are to be paid.</p>  |

**Used Codes**

|     |   |
|-----|---|
| 57  | Place of payment<br>Name of the location at which freight and charges for main transport are payable.   |
| 60  | Place of arrival<br>Place at which the transport means arrives.   |
| 80  | Place of despatch<br>Place at which the goods are taken over for carriage (operational term), if different from the transport contract place of acceptance (see: 10). Synonym: Place of origin of carriage.   |
| 82  | Pre-carriage port<br>Port of loading at which the cargo is loaded on the pre-carriage vessel used for the transport prior to the main transport.  |
| 83  | Place of delivery (by on-carriage)<br>Place to which the goods are to be finally delivered.   |
| 88  | Place of receipt<br>Identification of the location at which the cargo is actually received.   |
| 92  | Routing<br>Indication of a routing place.   |
| 106 | Region of origin<br>Region in which the goods have been produced or manufactured according to the criteria laid down for the purposes of the application of the Customs tariff, of quantitative restrictions or of any other measures related to trade (see: 3238). |
| 121 | Country of sale<br>[3116] Country where exporter's co-contractor is domiciled or has his business.  |
| 159 | Additional internal destination<br>Any location within the consignee's premises where the goods are moved to.   |
| 162 | Place or location of sale<br>Place or location at which the sale takes place.   |
| 184 | Physical location<br>Identifies the physical location.  |
| 241 | Country of birth<br>Country where a person or an animal was born.   |
| 242 | Country of fattening<br>Country where an animal has been fattened.  |
| 243 | Country of slaughter<br>Country where an animal has been slaughtered.   |

## Used Codes

---

|     |   |
|-----|---|
| 244 | Country of meat cutting<br>Country where the meat is cut into pieces.<br>Country where an animal's carcass has been cut into smaller pieces.  |
| 245 | Meat cutting location<br>A location where the meat is cut into pieces.<br>EDIFACT   |
| 246 | Slaughterhouse<br>Place for the slaughter of animals as food.   |
| 247 | Country of meat mincing<br>Country where meat has been cut into very small pieces using a meat grinder.   |
| 256 | Place of packing<br>Place where goods are packaged.<br>EDIFACT  |
| 257 | Country of assembly<br>Country where product is assembled.<br>Uses ISO country codes.   |
| 298 | Country of last processing<br>The country where the trade item was last processed.  |
| 299 | Fishing vessel<br>Fishing vessel as a place of production   |
| 300 | Location of status<br>The identification of the location of a status.<br>GS1 Note: Replaces GS1 Temporary Code 16E.   |
| 301 | Location of meter<br>The identification of the location of a meter.<br>GS1 Note: Replaces GS1 Temporary Code 17E.   |
| 303 | Meat mincing plant<br>A place where the meat is cut into very small pieces using a meat grinder.<br>GS1 Note: Replaces GS1 Temporary Code 41E.  |
| 304 | Place of fattening<br>Place where an animal has been fattened.<br>GS1 Note: Replaces GS1 Temporary Code 42E.  |
| 305 | Animal birth place<br>Location where an animal was born.<br>GS1 Note: Replaces GS1 Temporary Code 43E.  |
| 306 | Global Good Agricultural Practice Number (GGN)<br>The Global Good Agricultural Practice Number (GGN) is a 13-digit number that uniquely identifies each producer and individual member of a producer group in the GLOBAL G.A.P. Database. |



## Used Codes

---

|             |   |
|-------------|---|
| 16E         | Location of status (GS1 Temporary Code)<br>Identification of the location of a status.<br>GS1 Note: Code marked for deletion. Use value 300 instead.                                      |
| 17E         | Location of meter (GS1 Temporary Code)<br>The identification of the location of a meter.<br>GS1 Note: Code marked for deletion. Use value 301 instead.                                    |
| 18E         | Country of provenance (GS1 Temporary Code)<br>The country of provenance of a consignment or product.  |
| 21E         | Testing location (GS1 Temporary Code)<br>The location where a test is being performed.  |
| 22E         | Movement to location (GS1 Temporary Code)<br>Identification of the location to where goods are to be moved.   |
| 23E         | Return location (GS1 Temporary Code)<br>The identification of a location for the return of goods.   |
| 41E         | Mincing plant (GS1 Temporary Code)<br>A place where the meat of animals is cut into very small pieces using a meat grinder.<br>GS1 Note: Code marked for deletion. Use value 303 instead. |
| 42E         | Place of fattening (GS1 Temporary Code)<br>Place where the animal has been fattened before killing for food.<br>GS1 Note: Code marked for deletion. Use value 304 instead.                |
| 43E         | Animal's Birth Place (GS1 Temporary Code)<br>Place/Location where an animal was born (GLN or Veterinary licence number)<br>GS1 Note: Code marked for deletion. Use value 305 instead.     |
| <b>3239</b> | Country of origin name code<br>Code specifying the name of the country of origin.<br><br>Notes:<br>  1. Use ISO 3166-1 two alpha country code.  |
| AD          | Andorra   |
| AE          | United Arab Emirates  |
| AF          | Afghanistan   |
| AG          | Antigua and Barbuda   |
| AI          | Anguilla  |
| AL          | Albania   |
| AM          | Armenia   |
| AO          | Angola  |
| AQ          | Antarctica  |

**Used Codes**

|    |                                  |
|----|----------------------------------|
| AR | Argentina                        |
| AS | American Samoa                   |
| AT | Austria                          |
| AU | Australia                        |
| AW | Aruba                            |
| AX | Åland Islands                    |
| AZ | Azerbaijan                       |
| BA | Bosnia and Herzegovina           |
| BB | Barbados                         |
| BD | Bangladesh                       |
| BE | Belgium                          |
| BF | Burkina Faso                     |
| BG | Bulgaria                         |
| BH | Bahrain                          |
| BI | Burundi                          |
| BJ | Benin                            |
| BL | Saint Barthélemy                 |
| BM | Bermuda                          |
| BN | Brunei Darussalam                |
| BO | Bolivia (Plurinational State of) |
| BQ | Bonaire, Sint Eustatius and Saba |
| BR | Brazil                           |
| BS | Bahamas                          |
| BT | Bhutan                           |
| BV | Bouvet Island                    |
| BW | Botswana                         |
| BY | Belarus                          |
| BZ | Belize                           |
| CA | Canada                           |
| CC | Cocos (Keeling) Islands          |
| CD | Congo, Democratic Republic of    |
| CF | Central African Republic         |
| CG | Congo                            |

**Used Codes**

---

|    |                                  |
|----|----------------------------------|
| CH | Switzerland                      |
| CI | Cote D'Ivoire                    |
| CK | Cook Islands                     |
| CL | Chile                            |
| CM | Cameroon                         |
| CN | China                            |
| CO | Colombia                         |
| CR | Costa Rica                       |
| CU | Cuba                             |
| CV | Cape Verde                       |
| CW | Curaçao                          |
| CX | Christmas Island                 |
| CY | Cyprus                           |
| CZ | Czechia                          |
| DE | Germany                          |
| DJ | Djibouti                         |
| DK | Denmark                          |
| DM | Dominica                         |
| DO | Dominican Republic               |
| DZ | Algeria                          |
| EC | Ecuador                          |
| EE | Estonia                          |
| EG | Egypt                            |
| EH | Western Sahara                   |
| ER | Eritrea                          |
| ES | Spain                            |
| ET | Ethiopia                         |
| FI | Finland                          |
| FJ | Fiji                             |
| FK | Falkland Islands (Malvinas)      |
| FM | Micronesia (Federated States of) |
| FO | Faroe Islands                    |
| FR | France                           |

**Used Codes**

|    |  |
|----|--|
| GA | Gabon  |
| GB | United Kingdom of Great Britain and Northern Ireland |
| GD | Grenada  |
| GE | Georgia  |
| GF | French Guiana  |
| GG | Guernsey   |
| GH | Ghana  |
| GI | Gibraltar  |
| GL | Greenland  |
| GM | Gambia   |
| GN | Guinea   |
| GP | Guadeloupe   |
| GQ | Equatorial Guinea                                    |
| GR | Greece   |
| GS | South Georgia and the South Sandwich Islands         |
| GT | Guatemala  |
| GU | Guam   |
| GW | Guinea-Bissau  |
| GY | Guyana   |
| HK | Hong Kong  |
| HM | Heard Island and McDonald Islands                    |
| HN | Honduras   |
| HR | Croatia  |
| HT | Haiti  |
| HU | Hungary  |
| ID | Indonesia  |
| IE | Ireland  |
| IL | Israel   |
| IM | Isle Of Man  |
| IN | India  |
| IO | British Indian Ocean Territory                       |
| IQ | Iraq   |
| IR | Iran (Islamic Republic of)                           |

**Used Codes**

|    |   |
|----|---|
| IS | Iceland                                 |
| IT | Italy                                   |
| JE | Jersey                                  |
| JM | Jamaica                                 |
| JO | Jordan                                  |
| JP | Japan                                   |
| KE | Kenya                                   |
| KG | Kyrgyzstan                              |
| KH | Cambodia                                |
| KI | Kiribati                                |
| KM | Comoros                                 |
| KN | Saint Kitts and Nevis                   |
| KP | Korea (Democratic People'S Republic of) |
| KR | Korea, Republic of                      |
| KW | Kuwait                                  |
| KY | Cayman Islands                          |
| KZ | Kazakhstan                              |
| LA | Lao People'S Democratic Republic        |
| LB | Lebanon                                 |
| LC | Saint Lucia                             |
| LI | Liechtenstein                           |
| LK | Sri Lanka                               |
| LR | Liberia                                 |
| LS | Lesotho                                 |
| LT | Lithuania                               |
| LU | Luxembourg                              |
| LV | Latvia                                  |
| LY | Libya                                   |
| MA | Morocco                                 |
| MC | Monaco                                  |
| MD | Moldova, Republic of                    |
| ME | Montenegro                              |
| MF | Saint Martin (French Part)              |

**Used Codes**

---

|    |  |
|----|--|
| MG | Madagascar                                 |
| MH | Marshall Islands                           |
| MK | Macedonia, the Former Yugoslav Republic of |
| ML | Mali                                       |
| MM | Myanmar                                    |
| MN | Mongolia                                   |
| MO | Macao                                      |
| MP | Northern Mariana Islands                   |
| MQ | Martinique                                 |
| MR | Mauritania                                 |
| MS | Montserrat                                 |
| MT | Malta                                      |
| MU | Mauritius                                  |
| MV | Maldives                                   |
| MW | Malawi                                     |
| MX | Mexico                                     |
| MY | Malaysia                                   |
| MZ | Mozambique                                 |
| NA | Namibia                                    |
| NC | New Caledonia                              |
| NE | Niger                                      |
| NF | Norfolk Island                             |
| NG | Nigeria                                    |
| NI | Nicaragua                                  |
| NL | Netherlands                                |
| NO | Norway                                     |
| NP | Nepal                                      |
| NR | Nauru                                      |
| NU | Niue                                       |
| NZ | New Zealand                                |
| OM | Oman                                       |
| PA | Panama                                     |
| PE | Peru                                       |

**Used Codes**

|    |  |
|----|--|
| PF | French Polynesia                             |
| PG | Papua New Guinea                             |
| PH | Philippines                                  |
| PK | Pakistan                                     |
| PL | Poland                                       |
| PM | Saint Pierre and Miquelon                    |
| PN | Pitcairn                                     |
| PR | Puerto Rico                                  |
| PS | Palestine, State of                          |
| PT | Portugal                                     |
| PW | Palau  |
| PY | Paraguay                                     |
| QA | Qatar  |
| RE | Reunion                                      |
| RO | Romania                                      |
| RS | Serbia                                       |
| RU | Russian Federation                           |
| RW | Rwanda                                       |
| SA | Saudi Arabia                                 |
| SB | Solomon Islands                              |
| SC | Seychelles                                   |
| SD | Sudan  |
| SE | Sweden                                       |
| SG | Singapore                                    |
| SH | Saint Helena, Ascension and Tristan da Cunha |
| SI | Slovenia                                     |
| SJ | Svalbard and Jan Mayen                       |
| SK | Slovakia                                     |
| SL | Sierra Leone                                 |
| SM | San Marino                                   |
| SN | Senegal                                      |
| SO | Somalia                                      |
| SR | Suriname                                     |

**Used Codes**

|    |                                      |
|----|--------------------------------------|
| SS | South Sudan                          |
| ST | Sao Tome and Principe                |
| SV | El Salvador                          |
| SX | Sint Maarten (Dutch part)            |
| SY | Syrian Arab Republic                 |
| SZ | Swaziland                            |
| TC | Turks and Caicos Islands             |
| TD | Chad                                 |
| TF | French Southern Territories          |
| TG | Togo                                 |
| TH | Thailand                             |
| TJ | Tajikistan                           |
| TK | Tokelau                              |
| TL | Timor-Leste                          |
| TM | Turkmenistan                         |
| TN | Tunisia                              |
| TO | Tonga                                |
| TR | Turkey                               |
| TT | Trinidad and Tobago                  |
| TV | Tuvalu                               |
| TW | Taiwan, Province of China            |
| TZ | Tanzania, United Republic of         |
| UA | Ukraine                              |
| UG | Uganda                               |
| UM | United States Minor Outlying Islands |
| US | United States of America             |
| UY | Uruguay                              |
| UZ | Uzbekistan                           |
| VA | Holy See                             |
| VC | Saint Vincent and the Grenadines     |
| VE | Venezuela (Bolivarian Republic of)   |
| VG | Virgin Islands, British              |
| VI | Virgin Islands, U.S.                 |



**Used Codes**

|    |                   |
|----|-------------------|
| VN | Viet Nam          |
| VU | Vanuatu           |
| WF | Wallis and Futuna |
| WS | Samoa             |
| YE | Yemen             |
| YT | Mayotte           |
| ZA | South Africa      |
| ZM | Zambia            |
| ZW | Zimbabwe          |

**3453** Language name code  
Code specifying the language name.

Notes:  
1. Use ISO 639-1988.

|    |           |
|----|-----------|
| AA | Afar      |
| aa | Afar      |
| AB | Abkhazian |
| ab | Abkhazian |
| AE | Avestan   |
| ae | Avestan   |
| AF | Afrikaans |
| af | Afrikaans |
| AK | Akan      |
| ak | Akan      |
| AM | Amharic   |
| am | Amharic   |
| AN | Aragonese |
| an | Aragonese |
| AR | Arabic    |
| ar | Arabic    |
| AS | Assamese  |
| as | Assamese  |
| AV | Avaric    |
| av | Avaric    |

**Used Codes**

|    |                    |
|----|--------------------|
| AY | Aymara             |
| ay | Aymara             |
| AZ | Azerbaijani        |
| az | Azerbaijani        |
| BA | Bashkir            |
| ba | Bashkir            |
| BE | Belarusian         |
| be | Belarusian         |
| BG | Bulgarian          |
| bg | Bulgarian          |
| BH | Bihari             |
| bh | Bihari             |
| BI | Bislama            |
| bi | Bislama            |
| BM | Bambara            |
| bm | Bambara            |
| BN | Bengali            |
| bn | Bengali            |
| BO | Tibetan            |
| bo | Tibetan            |
| BR | Breton             |
| br | Breton             |
| BS | Bosnian            |
| bs | Bosnian            |
| CA | Catalan; Valencian |
| ca | Catalan; Valencian |
| CE | Chechen            |
| ce | Chechen            |
| CH | Chamorro           |
| ch | Chamorro           |
| CO | Corsican           |
| co | Corsican           |
| CR | Cree               |

**Used Codes**

|    |  |
|----|--|
| cr | Cree   |
| CS | Czech  |
| cs | Czech  |
| CU | Church Slavonic; Old Slavonic; Church Slavonic; Old Bulgarian; Old Church Slavonic |
| cu | Church Slavonic; Old Slavonic; Church Slavonic; Old Bulgarian; Old Church Slavonic |
| CV | Chuvash  |
| cv | Chuvash  |
| CY | Welsh  |
| cy | Welsh  |
| DA | Danish   |
| da | Danish   |
| DE | German   |
| de | German   |
| DV | Divehi; Dhivehi; Maldivian   |
| dv | Divehi; Dhivehi; Maldivian   |
| DZ | Dzongkha   |
| dz | Dzongkha   |
| EE | Ewe  |
| ee | Ewe  |
| EL | Greek; Modern (1453-)  |
| el | Greek; Modern (1453-)  |
| EN | English  |
| en | English  |
| EO | Esperanto  |
| eo | Esperanto  |
| ES | Spanish; Castilian   |
| es | Spanish; Castilian   |
| ET | Estonian   |
| et | Estonian   |
| EU | Basque   |
| eu | Basque   |
| FA | Persian  |

**Used Codes**

|    |                         |
|----|-------------------------|
| fa | Persian                 |
| FF | Fulah                   |
| ff | Fulah                   |
| FI | Finnish                 |
| fi | Finnish                 |
| FJ | Fijian                  |
| fj | Fijian                  |
| FO | Faroese                 |
| fo | Faroese                 |
| FR | French                  |
| fr | French                  |
| FY | Western Frisian         |
| fy | Western Frisian         |
| GA | Irish                   |
| ga | Irish                   |
| GD | Gaelic; Scottish Gaelic |
| gd | Gaelic; Scottish Gaelic |
| GL | Galician                |
| gl | Galician                |
| GN | Guarani                 |
| gn | Guarani                 |
| GU | Gujarati                |
| gu | Gujarati                |
| GV | Manx                    |
| gv | Manx                    |
| HA | Hausa                   |
| ha | Hausa                   |
| HE | Hebrew                  |
| he | Hebrew                  |
| HI | Hindi                   |
| hi | Hindi                   |
| HO | Hiri Motu               |
| ho | Hiri Motu               |

**Used Codes**

|    |  |
|----|--|
| HR | Croatian   |
| hr | Croatian   |
| HT | Haitian; Haitian Creole                                    |
| ht | Haitian; Haitian Creole                                    |
| HU | Hungarian  |
| hu | Hungarian  |
| HY | Armenian   |
| hy | Armenian   |
| HZ | Herero   |
| hz | Herero   |
| IA | Interlingua (International Auxiliary Language Association) |
| ia | Interlingua (International Auxiliary Language Association) |
| ID | Indonesian   |
| id | Indonesian   |
| IE | Interlingue  |
| ie | Interlingue  |
| IG | Igbo   |
| ig | Igbo   |
| II | Sichuan Yi   |
| ii | Sichuan Yi   |
| IK | Inupiaq  |
| ik | Inupiaq  |
| IO | Ido  |
| io | Ido  |
| IS | Icelandic  |
| is | Icelandic  |
| IT | Italian  |
| it | Italian  |
| IU | Inuktitut  |
| iu | Inuktitut  |
| JA | Japanese   |
| ja | Japanese   |
| JV | Javanese   |

**Used Codes**

|    |                          |
|----|--------------------------|
| jv | Javanese                 |
| KA | Georgian                 |
| ka | Georgian                 |
| KG | Kongo                    |
| kg | Kongo                    |
| KI | Kikuyu; Gikuyu           |
| ki | Kikuyu; Gikuyu           |
| KJ | Kuanyama; Kwanyama       |
| kj | Kuanyama; Kwanyama       |
| KK | Kazakh                   |
| kk | Kazakh                   |
| KL | Kalaallisut; Greenlandic |
| kl | Kalaallisut; Greenlandic |
| KM | Central Khmer            |
| km | Central Khmer            |
| KN | Kannada                  |
| kn | Kannada                  |
| KO | Korean                   |
| ko | Korean                   |
| KR | Kanuri                   |
| kr | Kanuri                   |
| KS | Kashmiri                 |
| ks | Kashmiri                 |
| KU | Kurdish                  |
| ku | Kurdish                  |
| KV | Komi                     |
| kv | Komi                     |
| KW | Cornish                  |
| kw | Cornish                  |
| KY | Kirghiz; Kyrgyz          |
| ky | Kirghiz; Kyrgyz          |
| LA | Latin                    |
| la | Latin                    |

**Used Codes**

|    |                                  |
|----|----------------------------------|
| LB | Luxembourgish; Letzeburgesch     |
| lb | Luxembourgish; Letzeburgesch     |
| LG | Ganda                            |
| lg | Ganda                            |
| LI | Limburgan; Limburger; Limburgish |
| li | Limburgan; Limburger; Limburgish |
| LN | Lingala                          |
| ln | Lingala                          |
| LO | Lao                              |
| lo | Lao                              |
| LT | Lithuanian                       |
| lt | Lithuanian                       |
| LU | Luba-Katanga                     |
| lu | Luba-Katanga                     |
| LV | Latvian                          |
| lv | Latvian                          |
| MG | Malagasy                         |
| mg | Malagasy                         |
| MH | Marshallese                      |
| mh | Marshallese                      |
| MI | Maori                            |
| mi | Maori                            |
| MK | Macedonian                       |
| mk | Macedonian                       |
| ML | Malayalam                        |
| ml | Malayalam                        |
| MN | Mongolian                        |
| mn | Mongolian                        |
| MO | Moldavian; Moldovan              |
| mo | Moldavian; Moldovan              |
| MR | Marathi                          |
| mr | Marathi                          |
| MS | Malay                            |

**Used Codes**

|    |                                       |
|----|---------------------------------------|
| ms | Malay                                 |
| MT | Maltese                               |
| mt | Maltese                               |
| MY | Burmese                               |
| my | Burmese                               |
| NA | Nauru                                 |
| na | Nauru                                 |
| NB | Bokmal Norwegian; Norwegian Bokmal    |
| nb | Bokmal Norwegian; Norwegian Bokmal    |
| ND | Ndebele; North; North Ndebele         |
| nd | Ndebele; North; North Ndebele         |
| NE | Nepali                                |
| ne | Nepali                                |
| NG | Ndonga                                |
| ng | Ndonga                                |
| NL | Dutch; Flemish                        |
| nl | Dutch; Flemish                        |
| NN | Norwegian Nynorsk; Nynorsk, Norwegian |
| nn | Norwegian Nynorsk; Nynorsk, Norwegian |
| NO | Norwegian                             |
| no | Norwegian                             |
| NR | Ndebele; South; South Ndebele         |
| nr | Ndebele; South; South Ndebele         |
| NV | Navajo; Navaho                        |
| nv | Navajo; Navaho                        |
| NY | Chichewa; Chewa; Nyanja               |
| ny | Chichewa; Chewa; Nyanja               |
| OC | Occitan (post 1500); Provencal        |
| oc | Occitan (post 1500); Provencal        |
| OJ | Ojibwa                                |
| oj | Ojibwa                                |
| OM | Oromo                                 |
| om | Oromo                                 |



**Used Codes**

|    |                   |
|----|-------------------|
| OR | Oriya             |
| or | Oriya             |
| OS | Ossetian; Ossetic |
| os | Ossetian; Ossetic |
| PA | Panjabi; Punjabi  |
| pa | Panjabi; Punjabi  |
| PI | Pali              |
| pi | Pali              |
| PL | Polish            |
| pl | Polish            |
| PS | Pushto; Pashto    |
| ps | Pushto; Pashto    |
| PT | Portuguese        |
| pt | Portuguese        |
| QU | Quechua           |
| qu | Quechua           |
| RM | Romansh           |
| rm | Romansh           |
| RN | Rundi             |
| rn | Rundi             |
| RO | Romanian          |
| ro | Romanian          |
| RU | Russian           |
| ru | Russian           |
| RW | Kinyarwanda       |
| rw | Kinyarwanda       |
| SA | Sanskrit          |
| sa | Sanskrit          |
| SC | Sardinian         |
| sc | Sardinian         |
| SD | Sindhi            |
| sd | Sindhi            |
| SE | Northern Sami     |

**Used Codes**

|    |                    |
|----|--------------------|
| se | Northern Sami      |
| SG | Sango              |
| sg | Sango              |
| SI | Sinhala; Sinhalese |
| si | Sinhala; Sinhalese |
| SK | Slovak             |
| sk | Slovak             |
| SL | Slovenian          |
| sl | Slovenian          |
| SM | Samoaan            |
| sm | Samoaan            |
| SN | Shona              |
| sn | Shona              |
| SO | Somali             |
| so | Somali             |
| SQ | Albanian           |
| sq | Albanian           |
| SR | Serbian            |
| sr | Serbian            |
| SS | Swati              |
| ss | Swati              |
| ST | Sotho, Southern    |
| st | Sotho, Southern    |
| SU | Sundanese          |
| su | Sundanese          |
| SV | Swedish            |
| sv | Swedish            |
| SW | Swahili            |
| sw | Swahili            |
| TA | Tamil              |
| ta | Tamil              |
| TE | Telugu             |
| te | Telugu             |

**Used Codes**

|    |                       |
|----|-----------------------|
| TG | Tajik                 |
| tg | Tajik                 |
| TH | Thai                  |
| th | Thai                  |
| TI | Tigrinya              |
| ti | Tigrinya              |
| TK | Turkmen               |
| tk | Turkmen               |
| TL | Tagalog               |
| tl | Tagalog               |
| TN | Tswana                |
| tn | Tswana                |
| TO | Tonga (Tonga Islands) |
| to | Tonga (Tonga Islands) |
| TR | Turkish               |
| tr | Turkish               |
| TS | Tsonga                |
| ts | Tsonga                |
| TT | Tatar                 |
| tt | Tatar                 |
| TW | Twi                   |
| tw | Twi                   |
| TY | Tahitian              |
| ty | Tahitian              |
| UG | Uighur; Uyghur        |
| ug | Uighur; Uyghur        |
| UK | Ukrainian             |
| uk | Ukrainian             |
| UR | Urdu                  |
| ur | Urdu                  |
| UZ | Uzbek                 |
| uz | Uzbek                 |
| VE | Venda                 |

**Used Codes**

|    |                |
|----|----------------|
| ve | Venda          |
| VI | Vietnamese     |
| vi | Vietnamese     |
| VO | Volapük        |
| vo | Volapük        |
| WA | Walloon        |
| wa | Walloon        |
| WO | Wolof          |
| wo | Wolof          |
| XH | Xhosa          |
| xh | Xhosa          |
| YI | Yiddish        |
| yi | Yiddish        |
| YO | Yoruba         |
| yo | Yoruba         |
| ZA | Zhuang; Chuang |
| za | Zhuang; Chuang |
| ZH | Chinese        |
| zh | Chinese        |
| ZU | Zulu           |
| zu | Zulu           |

**4183**

Special condition code  
Code specifying a special condition.

|   |   |
|---|---|
| 1 | Item for national preference<br>Item concerned is applicable to national preference calculation.                          |
| 2 | Item qualifying for payment discount<br>Item concerned is applicable for settlement/payment discount calculation.         |
| 3 | Item not qualifying for payment discount<br>Item concerned is not applicable for settlement/payment discount calculation. |
| 4 | Urgent delivery of reserved goods<br>Urgent delivery of goods for which a reservation was made.                           |
| 5 | Item not to be included in bonus calculation<br>Item concerned is not applicable for bonus calculation.                   |

## Used Codes

---

|     |  |
|-----|--|
| 6   | Subject to bonus<br>Item concerned is applicable for bonus calculation.  |
| 7   | Subject to commission<br>Item concerned is applicable for commission calculation.  |
| 8   | Subject to discount<br>Item concerned is applicable for discount calculation.  |
| 9   | Freely available in EU<br>Item should be available freely within the European Economic Community.<br>GS1 Description:<br>Item is freely available in the European Union. |
| 10  | Subject to settlement discount<br>Item concerned is applicable for the overall settlement discount.  |
| 11  | Price includes excise<br>The stated price is inclusive of excise.  |
| 12  | Price includes tax<br>The stated price is inclusive of tax.  |
| 15  | Not subject to discount<br>Item concerned is not applicable for discount calculation.  |
| 18  | Item subject to national export restrictions<br>Item concerned requires export declaration.  |
| 96  | Promotional advertising<br>A media press communication informing about a promotion.  |
| 97  | Promotional price<br>Reduction in price for a specified period of time for promotional purposes.   |
| 98  | Promotional shelf display<br>Product in promotion is displayed in a special shelf or display.  |
| 99  | Safety data sheet required to accompany goods when moved<br>Material safety data sheet is required to accompany the goods when they are moved.                           |
| 109 | Sale or return<br>Item concerned may be returned to supplier or otherwise disposed of if it remains unsold after a pre-determined period of time.                        |
| 116 | Subject to postponed discount<br>The item concerned is applicable for postponed discount which will be refunded via a later credit.                                      |
| 119 | Product genetically modified<br>An indication that a product has been genetically modified during its production process.  |

**Used Codes**

|     |  |
|-----|--|
| 123 | Pharmacy sales only<br>A special condition limiting the sale of a product to a pharmacy.   |
| 124 | Sale requires medical prescription<br>The sale of the product requires a medical prescription.<br>GS1 Description:<br>The identified product may only be sold in conjunction with a medical prescription.              |
| 125 | New item, not yet available<br>The item is new and not yet available.  |
| 126 | New, available<br>The item is new and available.   |
| 127 | Obsolete<br>The item is obsolete.  |
| 128 | Prototype<br>The item is a prototype and is not yet in normal production.  |
| 129 | Non-standard product<br>This item is not a standard product.   |
| 130 | Discontinued<br>The item is no longer available.   |
| 133 | Gift supplied with purchase<br>Product made available as a gift to a customer when purchasing an accompanying product.   |
| 134 | Sale from promotional stock<br>An indication that products sold came from promotional stock.   |
| 135 | Sale from obsolete stock<br>An indication that products sold came from obsolete stock.   |
| 136 | Buying group conditions<br>A code indicating that buying group conditions apply.   |
| 137 | Cancel order unless complete delivery possible on requested date and or time<br>Code indicating that the order is to be cancelled if complete delivery is not possible on the date and or time requested in the order. |
| 140 | Return of goods<br>Special conditions related to the return of goods.  |
| 141 | Subject to annual bonus<br>Item concerned is applicable for annual bonus calculation.  |
| 142 | Invoiced but not replenished<br>A special condition indicating the fact that goods which have not yet been replenished have been invoiced.   |

**Used Codes**

|     |  |
|-----|--|
| 143 | Replenished but not invoiced<br>A special condition indicating the fact that goods which have been replenished have not yet been invoiced.                           |
| 144 | Deliver full order<br>A special condition indicating that delivery of the order will only be accepted in full.   |
| 147 | Special handling requirements at point of receipt<br>An indication that the product requires special handling at the point of receipt.                               |
| 148 | Supply direct delivery<br>Goods to be supplied direct delivery to the delivery store and not through a distribution centre or a warehouse.                           |
| 150 | Mixed item pallet<br>Goods to be supplied on mixed item pallet.  |
| 151 | Items from the same dye lot<br>The items should be supplied from the same dye lot.   |
| 152 | Awaiting credit clearance<br>Processing of the referenced document is delayed while credit clearance is obtained.  |
| 153 | Return publication full copies<br>Return the full copies of a publication.   |
| 154 | Return publication headings only<br>Return only the heading of a publication.  |
| 155 | Destroy publication<br>Destroy the publication by whatever means, but in such a way that it cannot be read afterwards.   |
| 157 | Not subject to sale or return<br>Product supplied not subject to sale or return.   |
| 158 | Item to be sold in both domestic and export markets<br>The item will be sold in both the domestic and export markets.  |
| 159 | Item to be sold only in export markets<br>The item will be sold only in export markets.  |
| 164 | Shipment completes order<br>There will be no further shipments for this order as it is considered complete.  |
| 165 | Split shipment<br>Subsequent shipment(s) will arrive for this order as it has been split over more than one shipment.  |
| 166 | Include in continuous replenishment calculation<br>An indication that a product or group of products are to be included in the continuous replenishment calculation. |

## Used Codes

---

|     |  |
|-----|--|
| 167 | Remove from continuous replenishment calculation<br>An indication that a product or group of products are to be removed from the continuous replenishment calculation.   |
| 168 | Standard pack shipment<br>The shipment contains only standard packs.   |
| 169 | Pick pack shipment<br>The shipment contains only packages resulting from a pick and pack operation.<br>GS1 Description:<br>Where the hierarchy of the shipment resulting from a pick and pack operation has the article level sub-ordinate to the packaging level. |
| 170 | Goods for retail outlet shelf<br>Goods to be placed on a retail outlet shelf.  |
| 171 | Security stock<br>The goods are required to maintain the security stock.   |
| 172 | Production batch number allocated<br>A batch number is allocated by the manufacturer to the item.  |
| 173 | Production batch number allocated as required by law<br>A batch number is allocated by the manufacturer to the item as required by law.  |
| 174 | Product not genetically modified<br>An indication that a product has not been genetically modified during its production process.  |
| 175 | Suspended<br>An item whose production or distribution has been suspended.<br>EDIFACT   |
| 176 | No re-ordering<br>The item will not be re-ordered.<br>EDIFACT  |
| 177 | Product irradiated for preservation<br>An indication that a product has had radioactive rays directed onto it to preserve it.<br>EDIFACT   |
| 179 | Product gluten-free<br>An indication that a product does not contain any gluten.   |
| 180 | Product contains gluten<br>An indication that a product contains gluten.   |
| 181 | Product lactose-free<br>An indication that a product does not contain any lactose.   |
| 182 | Product contains lactose<br>An indication that a product contains lactose.   |



**Used Codes**

|     |  |
|-----|--|
| 183 | CH, compliant with Genetically Modified Food law<br>An indication that a product complies with the Swiss law on genetically modified food.   |
| 184 | CH, non-compliant with Genetically Modified Food law<br>An indication that a product does not comply with the Swiss law on genetically modified food.  |
| 185 | CH, compliant with General Food law<br>An indication that a product complies with the Swiss general food law.  |
| 186 | CH, non-compliant with General Food law<br>An indication that a product does not comply with the Swiss general food law.   |
| 187 | Store may not order<br>The store is not allowed to order.  |
| 188 | Distribution centre may not order<br>Distribution centre is not allowed to order.  |
| 189 | Net content declaration indicated<br>A declaration of a trade item's net content is on the product label.  |
| 190 | Net content declaration not indicated<br>A declaration of a trade item's net content is not on the product label.  |
| 191 | Not irradiated<br>Radiation has not been applied.  |
| 192 | Batch or lot number not allocated<br>The trade item has no batch or lot number.  |
| 193 | Unsold trade item not returnable<br>A trade item that is not sold cannot be returned.  |
| 194 | Ingredient irradiated<br>Radiation has been applied to a trade item's ingredient.  |
| 195 | Ingredients not irradiated<br>Radiation has not been applied to any trade item's ingredient.   |
| 196 | Raw material irradiated<br>Radiation has been applied to a trade item's raw material.  |
| 197 | Raw material not irradiated<br>Radiation has not been applied to any trade item's raw material.  |
| 198 | Re-orderable<br>The item may be re-ordered.  |
| 199 | Receipt advice, fully detailed<br>Includes qualitative and/or quantitative details regarding everything received (all line items) whether or not there were exceptions between what was received and what was advised as being sent. |

**Used Codes**

|     |  |
|-----|--|
| 200 | Receipt advice, only exceptions<br>Includes only qualitative and/or quantitative exceptions between what was received and what was advised as being sent.  |
| 201 | Ingredient is irradiated not applicable<br>The indication that an ingredient of a trade item is irradiated is not applicable.  |
| 202 | Raw material is irradiated not applicable<br>The indication that raw material of a trade item is irradiated is not applicable.   |
| 203 | Trade item is genetically modified not applicable<br>The indication that a product has not been genetically modified is not applicable   |
| 204 | Ingredient is irradiated not applicable<br>The indication that a trade item is irradiated is not applicable.   |
| 205 | Size dependent pricing<br>An item price may be different depending of the size.  |
| 206 | Size independent pricing<br>An item price is independent of the size.  |
| 207 | Only accepted products<br>Includes only details regarding accepted products.   |
| 208 | Financial compensation<br>Special condition related to a financial compensation.   |
| 209 | Wrong order<br>Complete order credited due to a wrong order that was previously invoiced.  |
| 210 | Quality defect<br>Special condition due to quality defect of delivered trade items.  |
| 211 | Wrong price<br>Special condition related to a previously invoiced incorrect price.   |
| 53E | Await further instructions (GS1 Temporary Code)<br>Wait for further instructions as to what to do with the publications. These instructions will either be given in electronic form or by other means such as letter, fax, e-mail. |
| 55E | No action (GS1 Temporary Code)<br>Code indicating the fact that no actions have taken place since the last message.  |
| 59E | No pallets (GS1 Temporary Code)<br>Goods are to be supplied without pallets.   |
| 61E | Mono item pallet (GS1 Temporary Code)<br>Goods to be supplied on mono item pallet.   |

## Used Codes

---

|     |   |
|-----|---|
| 69E | Product data publically available (GS1 Temporary Code)<br>A code indicating the fact that the data associated with the current product may be made publically available on a product data base.                         |
| 70E | Product data not publically available (GS1 Temporary Code)<br>A code indicating the fact that the data associated with the current product may not be made publically available on a product data base.                 |
| 73E | Delivery subject to final authorization (GS1 Temporary Code)<br>Code indicating the fact that delivery of the order should not take place until final authorization has been received from the delivery party or buyer. |
| 74E | Subject to special rules for hazardous materials (GS1 Temporary Code)<br>A code to indicate that the product is subject to special hazardous materials rules.   |
| 75E | Not subject to special rules for hazardous materials (GS1 Temporary Code)<br>A code to indicate that the product is not subject to special hazardous materials rules.   |
| 76E | Special conditions applicable to only this invoice (GS1 Temporary Code)<br>This invoice is subject to some special conditions.  |
| 77E | Installation order conditions (GS1 Temporary Code)<br>A code indicating order conditions related the installation for the first time, or complete restocking, of the entire range of a retail outlet.                   |
| 79E | Discrepancies or adjustments (GS1 Temporary Code)<br>Special conditions related to discrepancies or adjustments.  |
| 88E | Commodity (GS1 Temporary Code)<br>Company's standard product.   |
| 90E | Temporarily out (GS1 Temporary Code)<br>Item is temporarily not available.  |
| 91E | Manufacture out (GS1 Temporary Code)<br>Item is out of production.  |
| 93E | Seasonally available only (GS1 Temporary Code)<br>Product described is only available in specific seasons or time periods in a year, e.g. christmas decorations.  |
| 94E | Deletion, announcement only (GS1 Temporary Code)<br>An announcement to say that the item is in the process of being deleted from the supplier's product range   |
| 95E | Temporary product (GS1 Temporary Code)<br>A product which is only available for a temporary period of time.   |
| 96E | Product again available (GS1 Temporary Code)<br>A product which was previously unavailable which is once again available.   |

## Used Codes

---

|     |   |
|-----|---|
| ACD | Party has access to all non publically available data (GS1 Temporary Code)<br>The identified party has access to all non publically available pricing and non-pricing data associated with the current product.       |
| ACN | Party has access only to non publically available non-pricing data (GS1 Temporary Code)<br>The identified party has access only to the non publically available non-pricing data associated with the current product. |
| ACP | Party has access only to non publically available pricing data (GS1 Temporary Code)<br>The identified party has access only to the non publically available pricing data associated with the current product.         |
| X1  | No back orders when partial delivery (GS1 Temporary Code)<br>Indication that no back orders are allowed when there is a partial delivery.   |
| X10 | Include article surveillance (GS1 Temporary Code)<br>Product should contain article surveillance.   |
| X18 | Final consumer reservation (GS1 Temporary Code)<br>Goods to be supplied with maximum urgency because final consumer has made reservation (in a retail outlet).  |
| X19 | Shelf replenishment merchandise (GS1 Temporary Code)<br>Goods to be placed in a retail outlet shelf.  |
| X2  | Back orders accepted when partial delivery (GS1 Temporary Code)<br>Indication that back orders are accepted when there is a partial delivery.   |
| X20 | Security stock merchandise (GS1 Temporary Code)<br>Goods to maintain the security stock of a retail outlet.   |
| X44 | Item to be included in bonus calculation (GS1 Temporary Code)<br>Item will be included when calculating agreed bonuses.   |
| X5  | End consumer promotional item (GS1 Temporary Code)<br>Item is an end consumer promotional item.   |
| X61 | Is reload (GS1 Temporary Code)<br>Value indicating the state of the Catalogue Item within the Request for Notification Process being currently on the Notification List.  |
| X62 | Is not reload (GS1 Temporary Code)<br>Value indicating the state of the Catalogue Item within the Request for Notification Process being Initial Load.  |
| X8  | Provisional (GS1 Temporary Code)<br>Item concerned is provisional.  |
| X9  | No empties (GS1 Temporary Code)<br>No empty packaging to exchange, e.g. no empty bottles for ordered drinks.  |

**Used Codes**

|             |   |
|-------------|---|
| <b>4347</b> | Product identifier code qualifier<br>Code qualifying the product identifier.  |
| 1           | Additional identification<br>Information which specifies and qualifies product identifications.   |
| 5           | Product identification<br>The item number is for product identification.  |
| <b>4431</b> | Payment guarantee means code<br>Code specifying the means of payment guarantee.   |
| 10          | Bank guarantee<br>A bank has agreed to stand as guarantor to ensure that payment is made.   |
| 11          | Public authority guarantee<br>A public authority has agreed to stand as guarantor to ensure that payment is made.   |
| 12          | Third party guarantee<br>The party who has agreed to stand as guarantor to ensure that payment is made is neither the payee nor the payor.  |
| 13          | Standby letter of credit<br>The guarantee of payment is in the form of a standby letter of credit.  |
| 14          | No guarantee<br>No guarantee of payment has been made or is available.  |
| 20          | Goods as security<br>The payor has provided possession of, or title in goods, as security against payment.<br>GS1 Description:<br>Title to the goods is retained by the supplier until payment is received.                             |
| 21          | Business as security<br>The payor has provided title in, or a lien over a business whose assets may be sold or sequestered, as security against payment.<br>GS1 Description:<br>Business provided as security.                          |
| 23          | Warrant or similar (warehouse receipts)<br>The payor has provided a warrant or warehouse receipts for goods or property to be held or used as security against payment.<br>GS1 Description:<br>Warrant or similar provided as security. |
| 41          | Book guarantee/book bond<br>Self explanatory.<br>GS1 Description:<br>Book guarantee/book bond provided as security.   |

## Used Codes

---

|             |  |
|-------------|--|
| 44          | Group guarantee<br>Self explanatory.   |
|             | Notes:<br>This code value will be removed effective with directory D.04B.<br>GS1 Description:<br>Group guarantee provided as security. |
| 45          | Insurance certificate<br>A certificate of insurance has been provided as a guarantee of eventual payment.                              |
| <b>4435</b> | Payment channel code<br>Code specifying the payment channel.   |
| 1           | Ordinary post<br>The payment shall be/has been made via ordinary post.   |
| 2           | Air mail<br>The payment shall be/has been made via air mail.   |
| 3           | Telegraph<br>The payment shall be/has been made via telegraph.   |
| 4           | Telex<br>The payment shall be/has been made via telex.   |
| 5           | S.W.I.F.T.<br>Society for Worldwide Interbank Financial Telecommunications s.c.  |
| 6           | Other transmission networks<br>The payment shall be/has been made via other transmission networks.                                     |
| 7           | Networks not defined<br>The payment shall be/has been made via not defined networks.   |
| 8           | Fedwire<br>The payment shall be/has been made via Fedwire.   |
| 9           | Personal (face-to-face)<br>Indicates that payment should be made by the bank to the beneficiary or his identified agent, in person.    |
| 10          | Registered air mail<br>The payment shall be/has been made via registered air mail.   |
| 11          | Registered mail<br>The payment shall be/has been made via registered mail.   |
| 14          | National ACH<br>Nation wide clearing house for automated payment.  |

## Used Codes

---

|             |   |
|-------------|---|
| 62          | Set-off by reciprocal credits (GS1 Temporary Code)<br>GS1 Note: Code marked for deletion. Use DE 4461 value 97 instead.   |
| <b>4439</b> | Payment conditions code<br>Code specifying the payment conditions.  |
| 1           | Direct payment<br>An assigned invoice has been paid by the buyer to the factor.   |
| 10          | Irrevocable documentary credit<br>Written undertaking by a bank to pay a seller against stipulated documents that cannot be amended or cancelled without the consent of all parties involved.<br>GS1 Description:<br>Payment is made using an irrevocable documentary credit.   |
| 15          | Irrevocable letter of credit-confirmed<br>Letter of credit that cannot be cancelled or amended without agreement by all the parties involved, and carries the endorsement of both the issuing bank and its correspondent, guaranteeing payment of all drafts written against.<br>GS1 Description:<br>Payment is made using an irrevocable letter of credit confirmed. |
| 17          | Revocable letter of credit<br>Letter of credit that can be cancelled or amended at any time by the issuing bank.<br>GS1 Description:<br>Payment is made using an revocable letter of credit.  |
| 19          | Irrevocable letter of credit unconfirmed<br>Letter of credit that cannot be cancelled or amended before a specific date without agreement by all the parties involved, and carries no guarantee that a correspondent will honour drafts presented for payment.<br>GS1 Description:<br>Payment is made using an irrevocable letter of credit unconfirmed.              |
| 30          | Other collection<br>Self explanatory.<br><br>Notes:<br>This code value will be removed effective with directory D.04B.  |
| 34          | Seller to advise buyer<br>Payment conditions to be advised by the seller to the buyer.  |
| 35          | Documents through banks<br>Also known as 'documents against presentation', the documents are sent to a bank, and the buyer obtains the documents by paying the invoice amount to the bank.<br>GS1 Description:<br>Payment is made using documents passed through the banks.   |

## Used Codes

---

|             |  |
|-------------|--|
| 65          | Reverse factoring<br>Condition of payment to suppliers in which a third party (for example, a bank) manages the payments that one company has to make to its suppliers.  |
| OA          | Open account (GS1 Temporary Code)<br>Open account payment terms.   |
| <b>4461</b> | Payment means code<br>Code identifying a means of payment.   |
| 3           | Automated clearing house debit<br>A debit transaction made through the automated clearing house system.  |
| 8           | Hold<br>Indicates that the bank should hold the payment for collection by the beneficiary or other instructions.   |
| 10          | In cash<br>Payment by currency (including bills and coins) in circulation, including checking account deposits.  |
| 15          | Bookentry credit<br>A credit transaction, initiated from the buyer's account to the seller's account at the same financial institution.<br>GS1 Description:<br>A credit transaction, initiated from the buyer's account to the seller's account at the same financial institution. |
| 16          | Bookentry debit<br>A debit transaction initiated from the seller's account to the buyer's account at the same financial institution.   |
| 20          | Cheque<br>Self explanatory.  |
| 21          | Banker's draft<br>Issue of a banker's draft in payment of the funds.   |
| 23          | Bank cheque (issued by a banking or similar establishment)<br>Payment by a pre-printed form, which has been completed by a financial institution, on which instructions are given to an account holder (a bank or building society) to pay a stated sum to a named recipient.      |
| 24          | Bill of exchange awaiting acceptance<br>Bill drawn by the creditor on the debtor but not yet accepted by the debtor.   |
| 25          | Certified cheque<br>Payment by a pre-printed form stamped with the paying bank's certification on which instructions are given to an account holder (a bank or building society) to pay a stated sum to a named recipient .  |
| 26          | Local cheque<br>Indicates that the cheque is given local to the recipient.   |



## Used Codes

---

|     |  |
|-----|--|
| 27  | ACH demand corporate trade payment (CTP) debit<br>A debit transaction made through the ACH system to a demand deposit account using the CTP payment format.                                    |
| 28  | ACH demand corporate trade exchange (CTX) credit<br>A credit transaction made through the ACH system to a demand deposit account using the CTX payment format.                                 |
| 30  | Credit transfer<br>Payment by credit movement of funds from one account to another.  |
| 31  | Debit transfer<br>Payment by debit movement of funds from one account to another.  |
| 42  | Payment to bank account  |
| 49  | Direct debit<br>The amount is to be, or has been, directly debited to the customer's bank account.   |
| 50  | Payment by postgiro<br>Payment is made by postal giro.   |
| 54  | Credit card<br>Payment made by means of credit card.<br>GS1 Note: Replaces GS1 Temporary Code 11E.   |
| 55  | Debit card<br>Payment made by means of debit card.<br>GS1 Note: Replaces GS1 Temporary Code 12E.   |
| 56  | Bankgiro<br>Payment will be, or has been, made by bankgiro.<br>GS1 Note: Replaces GS1 Temporary Code 14E.  |
| 60  | Promissory note<br>Payment is made by promissory note.   |
| 70  | Bill drawn by the creditor on the debtor<br>Bill drawn by the creditor on the debtor.  |
| 74  | Bill drawn by the creditor on a bank<br>Bill drawn by the creditor on a bank.  |
| 97  | Clearing between partners<br>Amounts which two partners owe to each other to be compensated in order to avoid useless payments.  |
| 10E | Payment terms defined in the Commercial Account Summary (GS1 Temporary Code)<br>Code indicating that the payment terms will be defined in a later Commercial Account Summary (COACSU) message. |

## Used Codes

---

|             |  |
|-------------|--|
| 11E         | Credit card (GS1 Temporary Code)<br>Payment made by means of credit card.<br>GS1 Note: Code marked for deletion. Use value 54 instead.   |
| 12E         | Debit card (GS1 Temporary Code)<br>Payment made by means of debit card.<br>GS1 Note: Code marked for deletion. Use value 55 instead.   |
| 13E         | Payment terms defined in consolidated invoice (GS1 Temporary Code)<br>Special conditions where the payment terms are specified in a consolidated invoice.                                    |
| 14E         | Payment by bankgiro (GS1 Temporary Code)<br>Payment will be, or has been, made by bankgiro.<br>GS1 Note: Code marked for deletion. Use value 56 instead.                                     |
| <b>5025</b> | Monetary amount type code qualifier<br>Code qualifying the type of monetary amount.  |
| 1           | VAT, 1st value<br>First VAT value if, for the same rate of VAT, there are 1 to 3 different ways to set this value.   |
| 5           | Adjusted amount<br>The amount specified is the adjusted amount.  |
| 7           | Agreed charge<br>Charges which parties agreed upon.  |
| 8           | Allowance or charge amount<br>[5422] Total amount of allowance or charge.  |
| 9           | Amount due/amount payable<br>Amount to be paid.  |
| 11          | Amount paid<br>Amount that has been paid.  |
| 12          | Amount remitted<br>Amount which was remitted (see remittance advice).  |
| 13          | Amount subject to total monetary discount<br>The amount is subject to a total monetary discount.   |
| 21          | Cash discount<br>Cash discount given by the seller to the buyer.<br>GS1 Description:<br>Cash discount given by the seller to the buyer where payment is made in advance of receipt of goods. |
| 22          | Cash on delivery amount<br>Amount to be collected by carrier upon delivery of goods. This amount represents approximately the value of the goods.  |

## Used Codes

---

|    |   |
|----|---|
| 23 | Charge amount<br>The amount of money charged for the provision of a service or product.   |
| 25 | Charge/allowance basis<br>The amount specified is the basis for calculation of charges/allowance.   |
| 36 | Converted amount<br>The amount is converted from another currency.  |
| 38 | Invoice item amount<br>(5068) Total sum charged in respect of a single Invoice item in accordance with the terms of delivery.   |
| 39 | Invoice total amount<br>[5444] Total sum charged in respect of one or more Invoices in accordance with the terms of delivery.   |
| 40 | Customs value<br>(5032) Value declared for Customs purposes on those goods in a consignment which are subject to the same Customs procedure, and have the same tariff/statistical heading, country information and duty regime.                                   |
| 43 | Declared total Customs value<br>[5070] Total value declared for Customs purposes of all goods in a consignment, whether or not they are subject to the same Customs procedure, or have the same tariff/statistical heading, country information, and duty regime. |
| 44 | Declared value for carriage<br>(5036) Value, declared by the shipper or his agent solely for the purpose of varying the carrier's level of liability from that provided in the contract of carriage, in case of loss or damage to goods or delayed delivery.      |
| 48 | Deposit total<br>The whole amount of money that one entrusts for safekeeping.   |
| 50 | Disbursements<br>Amount of disbursements to be collected by the carrier according to the order given by the shipper.  |
| 51 | Disbursements fee<br>Fee charged for the collection of disbursements.   |
| 52 | Discount amount<br>The amount specified is the discount amount.   |
| 53 | Discount amount due<br>The amount of discount that is due.<br>GS1 Description:<br>The amount due for a discount.  |

**Used Codes**

|     |   |
|-----|---|
| 55  | Duty amount<br>The amount of duty.<br>GS1 Description:<br>The amount due for a duty.  |
| 56  | Duty/tax/fee basis amount<br>The amount specified is the basis for duty/tax or fee.   |
| 57  | Equivalent amount<br>This amount is equivalent to the amount to be transferred, but in another currency.  |
| 60  | Final (posted) amount<br>The amount posted to an account, finally, after charges/allowances.  |
| 64  | Freight charge<br>Amount to be paid for moving goods, by whatever means, from one place to another, inclusive discounts, allowances, rebates, adjustment factors and additional cost relating to freight costs (UN/ECE Recommendation no 23). |
| 74  | Amount to be paid in advance<br>Amount which is to be paid before goods are delivered or the service is rendered.   |
| 75  | Registered capital<br>Registered amount of equity of a company.   |
| 77  | Invoice amount<br>[5068] Total sum charged in respect of a single Invoice in accordance with the terms of delivery.   |
| 79  | Total line items amount<br>The sum of all the line item amounts.  |
| 81  | Loading and handling cost<br>Cost incurred by loading and handling.   |
| 83  | Lumpsum<br>An agreed sum of money, which is paid in full at one time. This term is often used in connection with charter parties.   |
| 86  | Message total monetary amount<br>The total of all monetary amounts contained within the message.  |
| 97  | Offer amount<br>[5210] Total amount of an offer.  |
| 98  | Original amount<br>Original amount, without charges, allowances or adjustment.  |
| 103 | Other deductible charges<br>Other charges deducted from the total invoice value.  |

**Used Codes**

|     |  |
|-----|--|
| 106 | Packing cost<br>Cost for packing concerning labour and/or material.  |
| 109 | Payment discount amount<br>Amount subject to payment discount.   |
| 113 | Prepaid amount<br>(5302) Amount which has been prepaid in advance.   |
| 119 | Received amount<br>The amount is what the bank received, and the one before charges/allowances.                                  |
| 124 | Tax amount<br>Tax imposed by government or other official authority related to the weight/<br>volume charge or valuation charge. |
| 125 | Taxable amount<br>Amount on which a tax has to be applied.<br>GS1 Description:<br>The monetary amount liable to tax.             |
| 126 | To collect<br>Amount that has to be collected.   |
| 128 | Total amount<br>The amount specified is the total amount.  |
| 129 | Total amount subject to payment discount<br>Part of the invoice amount which is subject to payment discount.                     |
| 130 | Total charge due<br>Total amount of charges payable to the carrier.  |
| 131 | Total charges/allowances<br>The amount specified is the total of all charges/allowances.   |
| 134 | Total declared<br>The total value of declared amounts.   |
| 138 | Total monetary discount amount<br>Total of monetary discount amounts.  |
| 139 | Total payment amount<br>A complete charge for goods or services rendered.  |
| 140 | Total service charge<br>The complete payment owed to one who has performed work for another.                                     |
| 142 | Trade discount<br>Discount given to any purchaser at a particular commercial level e.g. at<br>wholesale or retail level.         |
| 143 | Transfer amount<br>The amount which has been transferred from buyer to the sellers bank.   |

**Used Codes**

|     |  |
|-----|--|
| 144 | Transport charges (Customs)<br>(5292) Cost incurred by shipper in moving goods, by whatever means, from one place to another under the terms of the contract of carriage, see UN/ECE Recommendation No 23. Synonym: freight charges (Customs). |
| 146 | Unit price<br>(5110) Reporting monetary amount is a "per unit" amount.   |
| 150 | Value added tax<br>[5490] Amount in national currency resulting from the application, at the appropriate rate, of value added tax (or similar tax) to the invoice amount subject to such tax.  |
| 157 | Insurance value<br>(5010) Value for which the goods are insured.   |
| 159 | Licence (value deducted)<br>Amount in the currency of the licence to be written off from the total licence value.  |
| 161 | Duty, tax or fee amount<br>Amount of duty, tax or fee.   |
| 165 | Adjustment amount<br>Amount being the balance of the amount to be adjusted and the adjusted amount.  |
| 176 | Message total duty/tax/fee amount<br>Total of all duty/tax/fee amounts.  |
| 177 | Message total amount prepaid<br>Total of all prepaid amounts within the message.   |
| 178 | Exact amount<br>Specific amount.<br>GS1 Description:<br>A specific monetary amount.  |
| 200 | Minimum amount due<br>The minimum amount that must be paid on an amount now due for payment.   |
| 201 | Penalty amount<br>The penalty charge incurred if or because conditions are not met.<br>GS1 Description:<br>A value indicating a penalty amount.  |
| 202 | Interest amount<br>The amount of interest charged or paid on a debit or credit balance.  |
| 203 | Line item amount<br>Goods item total minus allowances plus charges for line item. See also Code 66.  |

**Used Codes**

|     |  |
|-----|--|
| 204 | Allowance amount<br>The amount of an allowance.  |
| 209 | Agent commission amount<br>Amount which has to be paid to an agent.  |
| 210 | Credit note amount<br>Amount of a credit note.   |
| 211 | Debit note amount<br>Amount of a debit note.   |
| 212 | Documentary credit amount<br>Amount of the documentary credit.   |
| 227 | Deposit<br>Part of the amount of retention, not covered by guarantee of retention, and thus deducted from the amount paid to the contractor until release of retention.<br>GS1 Description:<br>The money paid as a guarantee in case one damages or loses something one is renting. This money is returned if no damage is caused. |
| 236 | Amount subject to price adjustment<br>Amount which is used as the basis for price adjustment calculation.  |
| 257 | Amount subject to dispute<br>The amount that is being disputed.  |
| 259 | Total charges<br>Self-explanatory.<br>GS1 Description:<br>Total charges amount.  |
| 260 | Total allowances<br>Self-explanatory.  |
| 262 | Instalment amount<br>Amount paid or due for a single instalment of an instalment payment scheme.   |
| 263 | Outstanding amount<br>Amount still remaining outstanding for payment.  |
| 265 | Commission amount<br>Amount of any commission.   |
| 271 | Nominal salary<br>The salary amount without special allowances or other cash benefits.   |
| 272 | Taxable salary<br>The salary amount which is taxable.  |
| 276 | Annual salary<br>Self-explanatory.   |

**Used Codes**

|     |  |
|-----|--|
| 277 | Total contributions amount<br>Sum of individual contributions.   |
| 278 | Voluntary contribution amount<br>The amount is for a non-compulsory contribution.                                  |
| 286 | Administration charge<br>Charge made for an administration activity.   |
| 289 | Subtotal amount<br>Total amount of money that is part of a complete amount.  |
| 296 | Total authorised deduction<br>Total amount of authorised deductions.   |
| 304 | Other charges<br>Miscellaneous charges.  |
| 315 | Opening balance (SWIFT Code)<br>The amount of the opening balance.   |
| 343 | Closing balance (SWIFT Code)<br>The closing balance is the last balance for a reporting period.                    |
| 344 | Value date balance (SWIFT Code)<br>This is the balance on value date.  |
| 345 | Cost amount for providing the balance (SWIFT Code)<br>Cost information for providing the statement.                |
| 346 | Total credits (SWIFT Code)<br>The total of all credit items reported.  |
| 347 | Total debits (SWIFT Code)<br>The total of all debit items reported.  |
| 348 | Booked amount on the account (SWIFT Code)<br>Booked amount on the account.   |
| 349 | Pending amount to be booked on account (SWIFT Code)<br>The amount which is pending booking on a financial account. |
| 350 | Damage repair cost<br>Cost incurred by repair of the damage.   |
| 357 | Interim opening balance (SWIFT Code)<br>The opening balance of a consecutive statement.                            |
| 358 | Interim closing balance (SWIFT Code)<br>The closing balance of a consecutive statement.                            |
| 359 | Balance to be confirmed for audit reasons<br>Balance to be confirmed for audit reasons.                            |



## Used Codes

---

|     |   |
|-----|---|
| 360 | Accrued debit interest (SWIFT Code)<br>Accrued debit interest.  |
| 361 | Accrued credit interest (SWIFT Code)<br>Accrued credit interest.  |
| 369 | Goods and services tax<br>Amount charged as tax on goods and services.  |
| 388 | Total amount including Value Added Tax (VAT)<br>The total monetary amount which includes the Value Added Tax (VAT).                       |
| 396 | Total price subsidy value<br>The total value of all price subsidies.  |
| 397 | Advertising amount<br>Amount related to advertising.  |
| 400 | Rebate amount<br>The amount of a rebate.  |
| 401 | Debt financing charge<br>A charge amount related to the financing of a debt.  |
| 402 | Total retail value<br>The total retail value of all products.   |
| 462 | Annual turnover<br>The annual turnover.   |
| 496 | Total returnable packages deposit amount<br>Total deposit amount for returnable packages.   |
| 497 | Goods and services total amount excluding returnable goods<br>Total amount of goods and services excluding deposits for returnable goods. |
| 503 | Contract total amount<br>Total value of a contract.   |
| 505 | Rental amount<br>The amount to be paid for the right to use a place, product or service.  |
| 506 | Gross-progress payment amount<br>Gross monetary amount paid or to be paid at intervals.   |
| 507 | Net-progress payment amount<br>Net monetary amount paid or to be paid at intervals.   |
| 508 | Value of returned product<br>Value of product returned by the customer.   |
| 509 | Unit allowance amount<br>The monetary amount of an allowance for each unit.   |

## Used Codes

---

|     |  |
|-----|--|
| 526 | Volume discount<br>A discount for reaching or exceeding an agreed volume.  |
| 527 | Product range discount<br>Discount for the purchase of a whole range of products.  |
| 528 | Calculation basis excluding all taxes<br>The amount used as the basis for calculation excludes all taxes.  |
| 529 | Calculation basis which includes all taxes except VAT<br>The amount, used as the basis for calculation, which includes all taxes except Value Added Tax (VAT).   |
| 542 | Unloading and handling cost<br>Cost incurred by unloading and handling.  |
| 544 | Taxable amount - excluding payment discount amount<br>Indication of the total taxable amount before deducting payment discount amount.   |
| 545 | Must buy product in multi-buy promotions value<br>The value of a product which must be bought in order to qualify for the multi-buy promotion.<br>GS1 Note: Replaces GS1 Temporary Code 29E.                                   |
| 546 | Additional voluntary contribution amount<br>Additional voluntary contribution amount paid by the employee.<br>GS1 Note: Replaces GS1 Temporary Code 33E.   |
| 547 | Interest amount over employee's obligatory contribution<br>Interest amount calculated over the employee's obligatory contribution.<br>GS1 Note: Replaces GS1 Temporary Code 34E.<br>EDIFACT code added, replacing GS1 code 34E |
| 548 | Prepaid amount related to the obligatory contribution<br>Prepaid amount related to the employee's obligatory contribution.<br>GS1 Note: Replaces GS1 Temporary Code 39E.   |
| 549 | Amount to be compensated between social security entities<br>Amount which needs to be compensated between social security entities.<br>GS1 Note: Replaces GS1 Temporary Code 40E.  |
| 550 | Bank check amount<br>Amount to be paid by bank check.  |
| 10E | Value of coins (GS1 Temporary Code)<br>The amount of change which is given by cigarette vending machines.  |
| 28E | Financing allowance/charge (GS1 Temporary Code)<br>A charge or allowance related to the financing of a debt.   |

## Used Codes

---

|     |   |
|-----|---|
| 29E | Multi-buy promotion value (GS1 Temporary Code)<br>A value of a product included in a multi-buy promotion which must be purchased in order to qualify for the multi-buy promotion.<br>GS1 Note: Code marked for deletion. Use value 545 instead. |
| 32E | Exceptional situation amount (GS1 Temporary Code)<br>Amount of the exceptional situation that affects the normal contribution of the employee in a given period.  |
| 33E | Additional voluntary contribution amount (GS1 Temporary Code)<br>Additional voluntary contribution amount paid by the employee.<br>GS1 Note: Code marked for deletion. Use value 546 instead.   |
| 34E | Interest amount over employee's obligatory contribution (GS1 Temporary Code)<br>Interest amount calculated over the employee's obligatory contribution (GS1 Temporary Code)<br>GS1 Note: Code marked for deletion. Use value 547 instead.       |
| 35E | Total returnable items deposit amount (GS1 Temporary Code)<br>Total deposit amount for returnable items.  |
| 39E | Prepaid amount related to the obligatory contribution (GS1 Temporary Code)<br>Prepaid amount related to the employee's obligatory contribution.<br>GS1 Note: Code marked for deletion. Use value 548 instead.                                   |
| 40E | Amount to be compensated between social security entities (GS1 Temporary Code)<br>Amount which needs to be compensated between social security entities.<br>GS1 Note: Code marked for deletion. Use value 549 instead.                          |
| 41E | Interest over solidarity fund (GS1 Temporary Code)<br>Interest to pay because contribution to solidarity fund was not paid on time.   |
| 42E | Interest over employee additional contribution (GS1 Temporary Code)<br>Interest to pay because contribution to employee additional contribution was not paid on time.   |
| X41 | Total returnable items rental fee amount (GS1 Temporary Code)<br>Total rental fee amount for returnable items.  |
| X42 | Rental fee (GS1 Temporary Code)<br>The amount charged for the rental of an item.  |
| XB5 | Information amount (SWIFT Code)<br>A monetary amount provided for information purposes.   |
| XB6 | Beneficiary's account number unknown (SWIFT Code)<br>The account number of the beneficiary is unknown.  |

## Used Codes

---

|             |  |
|-------------|--|
| <b>5125</b> | Price code qualifier<br>Code qualifying a price.<br><br>Notes:<br>1. The code set from data element 5387 may also be used as agreed among trading partners.  |
| 1E          | Calculation net - including taxes (GS1 Temporary Code)<br>The price stated is the net price including all allowances and charges, and including taxes. Allowances and charges may be stated for information purposes only.   |
| AAA         | Calculation net<br>The price stated is the net price including allowances/ charges. Allowances/ charges may be stated for information only.<br>GS1 Description:<br>The price stated is the net price including allowances/ charges and excluding taxes. Allowances/charges may be stated for information only. |
| AAB         | Calculation gross<br>The price stated is the gross price to which allowances/charges, if valid, must be applied.<br>GS1 Description:<br>The price stated is the gross price excluding all allowances, charges and taxes. Allowances and charges must be stated and used for net calculation purposes.          |
| AAE         | Information price, excluding allowances or charges, including taxes<br>The price stated is for information purposes only and excludes all allowances and charges. Taxes however are included in the price.   |
| AAF         | Information price, excluding allowances or charges and taxes<br>The price stated is for information purposes only and excludes all allowances, charges and taxes.  |
| AAH         | Subject to escalation and price adjustment<br>Subject to increase or development by successive stages and price adjustment.  |
| AAQ         | Firm price<br>Price which will remain unchanged for a given time period.   |
| ABL         | Base price<br>The base price of a product or service.  |
| ABM         | Base price difference<br>The difference in price against a base price.   |
| CAL         | Calculation price<br>The price stated is the price for the calculation of the line item amount.  |
| INF         | Information<br>The price is provided for information.  |

## Used Codes

---

|             |  |
|-------------|--|
| <b>5375</b> | Price type code<br>Code specifying the type of price.  |
| AE          | Range dependent price<br>A code identifying the price for a specific range of purchase quantities.   |
| CA          | Catalogue<br>Code specifying the catalogue price.<br>GS1 Description:<br>The price detailed is the price detailed in the currently referenced catalogue. |
| CT          | Contract<br>Code specifying the contract price.<br>GS1 Description:<br>The price detailed is the price detailed in the currently referenced contract.    |
| DI          | Distributor<br>Code specifying the distributor price.  |
| <b>5387</b> | Price specification code<br>Code identifying pricing specification.  |
| AAB         | Price includes tax<br>Code specifying that the price is inclusive of tax.  |
| AAC         | Buyer suggested retail price<br>The suggested retail price as suggested or determined by the party purchasing the goods.                                 |
| AAE         | Not subject to fluctuation<br>Not subject to escalation or adjustment.   |
| AAF         | Subject to escalation<br>Subject to increase or development by successive stages.  |
| AAG         | Subject to price adjustment<br>Code specifying that the price is subject to adjustment.  |
| AAK         | New price<br>A price valid from an effective date/time/period.   |
| AAL         | Old price<br>A price valid prior to an effective date/time/period of a new price.  |
| ABA         | Individual buyer price<br>A price which is available to an individual buyer as opposed to an institutional buyer.  |
| ABB         | Group buying price<br>A price which is available to a buying group.  |
| ABC         | Group member buying price<br>A special price given to a member of a buying group.  |

## Used Codes

---

|     |  |
|-----|--|
| ABD | Pre-payment price<br>A special price if pre-payment is made for the article ordered.   |
| ABE | Retail price - excluding taxes<br>Retail price not including any applicable taxes.   |
| ABF | Suggested retail price - excluding taxes<br>Suggested retail price not including any applicable taxes.   |
| ABH | Statutory minimum retail price<br>The legal minimum retail price.<br>EDIFACT   |
| ABM | Base price difference<br>The difference in price against a base price.<br>GS1 Description:<br>The difference in price between the price of a base article in a Customer Specific Article (CSA) and the price of a component part of the CSA configuration. |
| ACA | Agreed minimum retail price<br>The agreed minimum retail price for an article.<br>GS1 Note: Replaces GS1 Temporary Code AMP.   |
| ACB | Marked retail price<br>The retail price of a product which has been marked on the products packaging.<br>GS1 Note: Replaces GS1 Temporary Code MRP.  |
| ALT | Alternate price<br>A substitute cost.  |
| AMP | Agreed minimum retail price (GS1 Temporary Code)<br>The agreed minimum retail price for an article.<br>GS1 Note: Code marked for deletion. Use value ACA instead.  |
| AP  | Advice price<br>Code specifying an advice price.   |
| BAP | Base article price (GS1 Temporary Code)<br>The price of a base article in a Customer Specific Article.   |
| CP  | Current price<br>Price at time of transaction, but subject to future change.   |
| CU  | Consumer unit<br>Code specifying that the price is based on consumer unit.   |
| DAP | Dealer adjusted price<br>The necessary or desirable changes that the sales agency makes with respect to the value of the product.  |
| DIS | Distributor price<br>The cost associated with the agency that markets goods.   |

## Used Codes

---

|     |  |
|-----|--|
| DPR | Discount price<br>A reduction from the usual list value.   |
| DR  | Dealer price<br>Code specifying a dealer price.<br>GS1 Description:<br>Price associated with the dealer of the product.  |
| ES  | Estimated price<br>Code specifying an estimated price.<br>GS1 Description:<br>An estimated price of the product which will later be confirmed.   |
| EUP | Expected unit price<br>The anticipated value of a single item.   |
| GRP | Gross unit price<br>Unit price to which allowances and charges apply.  |
| INV | Invoice price<br>Price per unit of quantity of a product as specified on an invoice.   |
| LBL | Labelling price<br>Retail price of the buyer that should be printed by the producer on the article's label. The labelling price is not necessary the effective retail price.             |
| LIU | List price (GS1 Temporary Code)<br>Regular list price (no promotions or special discounts applied).  |
| MAX | Maximum order quantity price<br>The greatest amount of goods or services which one can buy to receive a certain value.   |
| MIN | Minimum order quantity price<br>The least amount of goods or services that one can buy to receive a certain value.   |
| MRP | Marked retail price (GS1 Temporary Code)<br>The retail price of a product which has been marked on the products packaging.<br>GS1 Note: Code marked for deletion. Use value ACB instead. |
| NE  | Not-to-exceed price<br>Code specifying a price that cannot be increased.<br>GS1 Description:<br>A price which is not to be exceeded.   |
| NTP | Net unit price<br>Unit price to which no allowances and charges apply.   |
| PPD | Prepaid freight charges<br>The cost of shipping is paid before the goods are shipped.  |

**Used Codes**

|             |   |
|-------------|---|
| PPR         | Provisional price<br>Price per unit of quantity of a product as provisionally agreed.   |
| PRP         | Promotional price<br>The value that is placed on an item that is being developed. The idea is to sell this product for less than one normally would, and make up for it by selling a larger quantity. |
| QTE         | Quote price<br>Price per unit of quantity of a product as specified in a quote.   |
| RTP         | Retail price<br>Price per unit of quantity of a product to be used for retail.  |
| SRP         | Suggested retail price<br>Price per unit of quantity of a product suggested for retail.   |
| TU          | Traded unit<br>Code specifying a traded unit price.   |
| <b>5495</b> | Sub-line indicator code<br>Code indicating a sub-line item.   |
| 1           | Sub-line information<br>Code indicating a sub-line item.  |
| <b>6063</b> | Quantity type code qualifier<br>Code qualifying the type of quantity.   |
| 26          | Promotion quantity<br>A quantity associated with a promotional event.   |
| 61          | Return quantity<br>Quantity of goods returned.  |
| 145         | Actual stock<br>The stock on hand, undamaged, and available for despatch, sale or use.  |
| 153         | Statistical sales quantity<br>Quantity of goods sold in a specified period.   |
| 210         | Returned by consumer quantity<br>Quantity returned by a consumer.<br>GS1 Description:<br>Quantity of product returned by the consumer to the place/party of sale.                                     |
| 217         | Out of inventory quantity<br>Quantity of inventory which was requested but was not available.   |
| 243         | Reserved quantity customer direct delivery sales<br>Quantity of products reserved for sales delivered direct to the customer.   |



**Used Codes**

|             |  |
|-------------|--|
| 244         | Reserved quantity retail sales<br>Quantity of products reserved for retail sales.  |
| 32E         | Consolidated discount stock (GS1 Temporary Code)<br>Additional stock which is greater than the stocks actually ordered which have been supplied in bulk at favourable terms. |
| <b>6343</b> | Currency type code qualifier<br>Code qualifying the type of currency.  |
| 1           | Customs valuation currency<br>The name or symbol of the monetary unit involved in the transaction for customs valuation.   |
| 3           | Home currency<br>The name or symbol of the local monetary unit.  |
| 4           | Invoicing currency<br>The name or symbol of the monetary unit used for calculation in an invoice.  |
| 5           | Account currency<br>The name or symbol of the monetary unit to be converted from.  |
| 8           | Price list currency<br>The name or symbol of the monetary unit used in a price list.   |
| 9           | Order currency<br>The name or symbol of the monetary unit used in an order.  |
| 10          | Pricing currency<br>The name or symbol of the monetary unit used for pricing purposes.   |
| 11          | Payment currency<br>The name or symbol of the monetary unit used for payment.  |
| 12          | Quotation currency<br>The name or symbol of the monetary unit used in a quotation.   |
| 13          | Recipient local currency<br>The name or symbol of the local monetary unit at recipient's location.   |
| 14          | Supplier currency<br>The name or symbol of the monetary unit normally used by the supplier.  |
| 15          | Sender local currency<br>The name or symbol of the local monetary unit at sender's location.   |
| 17          | Charge calculation currency<br>The currency in which the charges are calculated.   |
| 18          | Tax currency<br>The currency in which tax amounts are due or have been paid.<br>EDIFACT  |

**Used Codes****6345**

Currency identification code  
Code specifying a monetary unit.

Notes:

1. Use ISO 4217 three alpha code.

|     |  |
|-----|--|
| AED | Dirham   |
| AFN | Afghani  |
| ALL | Lek  |
| AMD | Dram   |
| ANG | Netherlands Antillian Guilder                  |
| AOA | Kwanza   |
| ARS | Argentine Peso                                 |
| AUD | Australian Dollar                              |
| AWG | Aruban Florin                                  |
| AZN | Azerbaijan Manat                               |
| BAM | Convertible Mark                               |
| BBD | Barbados Dollar                                |
| BDT | Taka   |
| BGN | Bulgarian Lev                                  |
| BHD | Bahraini Dinar                                 |
| BIF | Burundi Franc                                  |
| BMD | Bermudian Dollar (customarily: Bermuda Dollar) |
| BND | Brunei Dollar                                  |
| BOB | Boliviano                                      |
| BOV | Mvdol  |
| BRL | Brazilian Real                                 |
| BSD | Bahamian Dollar                                |
| BTN | Ngultrum                                       |
| BWP | Pula   |
| BYN | Belarussian Ruble                              |
| BZD | Belize Dollar                                  |
| CAD | Canadian Dollar                                |
| CDF | Franc Congolais                                |
| CHE | WIR Euro                                       |

**Used Codes**

|     |                        |
|-----|------------------------|
| CHF | Swiss Franc            |
| CHW | WIR Franc              |
| CLF | Unidad de Fomento      |
| CLP | Chilean Peso           |
| CNY | Yuan Renminbi          |
| COP | Colombian Peso         |
| COU | Unidad de Valor Real   |
| CRC | Costa Rican Colon      |
| CUC | Peso Convertible       |
| CUP | Cuban Peso             |
| CVE | Cabo Verde Escudo      |
| CZK | Czech Koruna           |
| DJF | Djibouti Franc         |
| DKK | Danish Krone           |
| DOP | Dominican Peso         |
| DZD | Algerian Dinar         |
| EGP | Egyptian Pound         |
| ERN | Nakfa                  |
| ETB | Ethopian Birr          |
| EUR | Euro                   |
| FJD | Fiji Dollar            |
| FKP | Falkland Islands Pound |
| GBP | Pound Sterling         |
| GEL | Lari                   |
| GHS | Ghana Cedi             |
| GIP | Gibraltar Pound        |
| GMD | Dalasi                 |
| GNF | Guinean Franc          |
| GTQ | Quetzal                |
| GYD | Guyana Dollar          |
| HKD | Honk Kong Dollar       |
| HNL | Lempira                |
| HRK | Kuna                   |

**Used Codes**

|     |                       |
|-----|-----------------------|
| HTG | Gourde                |
| HUF | Forint                |
| IDR | Rupiah                |
| ILS | New Israeli Sheqel    |
| INR | Indian Rupee          |
| IQD | Iraqi Dinar           |
| IRR | Iranian Rial          |
| ISK | Iceland Krona         |
| JMD | Jamaican Dollar       |
| JOD | Jordanian Dinar       |
| JPY | Yen                   |
| KES | Kenyan Shilling       |
| KGS | Som                   |
| KHR | Riel                  |
| KMF | Comorian Franc        |
| KPW | North Korean Won      |
| KRW | Won                   |
| KWD | Kuwaiti Dinar         |
| KYD | Cayman Islands Dollar |
| KZT | Tenge                 |
| LAK | Lao Kip               |
| LBP | Lebanese Pound        |
| LKR | Sri Lanka Rupee       |
| LRD | Liberian Dollar       |
| LSL | Loti                  |
| LYD | Libyan Dinar          |
| MAD | Morrocan Dirham       |
| MDL | Moldovan Leu          |
| MGA | Ariary                |
| MKD | Denar                 |
| MMK | Kyat                  |
| MNT | Tugrik                |
| MOP | Pataca                |

**Used Codes**

|     |  |
|-----|--|
| MRU | Ouguiya  |
| MUR | Mauritius Rupee  |
| MVR | Rufiyaa  |
| MWK | Malawi Kwacha  |
| MXN | Mexican Peso   |
| MXV | Mexican Unidad de Inversion (UDI)                                |
| MYR | Malaysian Ringgit  |
| MZN | Mozambique Metical   |
| NAD | Namibia Dollar   |
| NGN | Naira  |
| NIO | Cordoba Oro  |
| NOK | Norwegian Krone  |
| NPR | Nepalese Rupee   |
| NZD | New Zealand Dollar   |
| OMR | Rial Omani   |
| PAB | Balboa   |
| PEN | Sol  |
| PGK | Kina   |
| PHP | Philippine Piso  |
| PKR | Pakistan Rupee   |
| PLN | Zloty  |
| PYG | Guarani  |
| QAR | Qatari Rial  |
| RON | Romanian Leu<br>This currency code is effective from 1 July 2005 |
| RSD | Serbian Dinar  |
| RUB | Russian Ruble  |
| RWF | Rwanda Franc   |
| SAR | Saudi Riyal  |
| SBD | Solomon Islands Dollar   |
| SCR | Seychelles Rupee   |
| SDG | Sudanese Pound   |
| SEK | Swedish Krona  |

**Used Codes**

|     |                            |
|-----|----------------------------|
| SGD | Singapore Dollar           |
| SHP | St. Helena Pound           |
| SLL | Leone                      |
| SOS | Somali Shilling            |
| SRD | Suriname Dollar            |
| SSP | South Sudanese Pound       |
| STN | Dobra                      |
| SVC | El Salvador Colon          |
| SYP | Syrian Pound               |
| SZL | Lilangeni                  |
| THB | Baht                       |
| TJS | Somoni                     |
| TMT | Turkmenistan New Manat     |
| TND | Tunisian Dinar             |
| TOP | Pa'anga                    |
| TRY | Turkish Lira               |
| TTD | Trinidad and Tobago Dollar |
| TWD | New Taiwan Dollar          |
| TZS | Tanzanian Shilling         |
| UAH | Hryvnia                    |
| UGX | Uganda Shilling            |
| USD | US Dollar                  |
| USN | US Dollar (Next day)       |
| UYI | Uruguayo Peso en Unidades  |
| UYU | Peso Uruguayo              |
| UYW | Unidad Previsional         |
| UZS | Uzbekistan Sum             |
| VES | Bolívar Soberano           |
| VND | Dong                       |
| VUV | Vatu                       |
| WST | Tala                       |
| XAF | CFA Franc                  |
| XAG | Silver                     |

## Used Codes

---

|     |   |
|-----|---|
| XAU | Gold  |
| XBA | Bond Markets Units European Composite Unit (EURCO)                |
| XBB | European Monetary Unit (E.M.U.-6)                                 |
| XBC | European Unit of Account 9 (E.U.A.-9)                             |
| XBD | European Unit of Account 17 (E.U.A.-17)                           |
| XCD | East Carribean Dollar   |
| XDR | SDR   |
| XOF | CFA Franc   |
| XPD | Palladium   |
| XPF | CFP Franc   |
| XPT | Platinum  |
| XSU | Sucre   |
| XTS | Codes specifically reserved for testing purposes                  |
| XUA | ADB Unit of Account   |
| XXX | The codes assigned for transactions where no currency is involved |
| YER | Yemeni Rial   |
| ZAR | Rand  |
| ZMW | Zambian Kwacha  |
| ZWL | Zimbabwe Dollar<br>(effective 1 February 2009)                    |

---

### 6347

Currency usage code qualifier  
Code qualifying the usage of a currency.

|   |  |
|---|--|
| 2 | Reference currency<br>The currency applicable to amounts stated. It may have to be converted.      |
| 3 | Target currency<br>The currency which should be used to the target destination of the transaction. |

---

### 6411

Measurement unit code  
Code specifying the unit of measurement.

Notes:

| 1. Recommend use UN/ECE Recommendation 20, Common code.

|    |   |
|----|---|
| 10 | group<br>A unit of count defining the number of groups (group: set of items classified together). |
|----|---|

**Used Codes**

|    |  |
|----|--|
| 11 | outfit<br>A unit of count defining the number of outfits (outfit: a complete set of equipment / materials / objects used for a specific purpose).              |
| 13 | ration<br>A unit of count defining the number of rations (ration: a single portion of provisions).   |
| 14 | shot<br>A unit of liquid measure, especially related to spirits.   |
| 15 | stick, military<br>A unit of count defining the number of military sticks (military stick: bombs or paratroops released in rapid succession from an aircraft). |
| 20 | twenty foot container<br>A unit of count defining the number of shipping containers that measure 20 foot in length.  |
| 21 | forty foot container<br>A unit of count defining the number of shipping containers that measure 40 foot in length.   |
| 22 | decilitre per gram   |
| 23 | gram per cubic centimetre  |
| 24 | theoretical pound<br>A unit of mass defining the expected mass of material expressed as the number of pounds.  |
| 25 | gram per square centimetre   |
| 27 | theoretical ton<br>A unit of mass defining the expected mass of material, expressed as the number of tons.   |
| 28 | kilogram per square metre  |
| 33 | kilopascal square metre per gram   |
| 34 | kilopascal per millimetre  |
| 35 | millilitre per square centimetre second  |
| 37 | ounce per square foot  |
| 38 | ounce per square foot per 0,01inch   |
| 40 | millilitre per second  |
| 41 | millilitre per minute  |
| 56 | sitas<br>A unit of area for tin plate equal to a surface area of 100 square metres.  |



**Used Codes**

|    |   |
|----|---|
| 57 | mesh<br>A unit of count defining the number of strands per inch as a measure of the fineness of a woven product.  |
| 58 | net kilogram<br>A unit of mass defining the total number of kilograms after deductions.   |
| 59 | part per million<br>A unit of proportion equal to 10 to the power of -6.  |
| 60 | percent weight<br>A unit of proportion equal to 10 to the power of -2.  |
| 61 | part per billion (US)<br>A unit of proportion equal to 10 to the power of -9.   |
| 64 | pound per square inch, gauge  |
| 66 | oersted   |
| 74 | millipascal   |
| 76 | gauss   |
| 77 | milli-inch  |
| 78 | kilogauss   |
| 80 | pound per square inch absolute  |
| 81 | henry   |
| 84 | kilopound-force per square inch<br>A unit of pressure defining the number of kilopounds force per square inch. Use kip per square inch (common code N20). |
| 85 | foot pound-force  |
| 87 | pound per cubic foot  |
| 89 | poise   |
| 91 | stokes  |
| 1I | fixed rate<br>A unit of quantity expressed as a predetermined or set rate for usage of a facility or service.   |
| 2A | radian per second<br>Refer ISO/TC12 SI Guide  |
| 2B | radian per second squared<br>Refer ISO/TC12 SI Guide  |
| 2C | roentgen  |
| 2G | volt AC<br>A unit of electric potential in relation to alternating current (AC).  |

**Used Codes**

|    |  |
|----|--|
| 2H | volt DC<br>A unit of electric potential in relation to direct current (DC).                                  |
| 2I | British thermal unit (international table) per hour  |
| 2J | cubic centimetre per second  |
| 2K | cubic foot per hour  |
| 2L | cubic foot per minute  |
| 2M | centimetre per second  |
| 2N | decibel  |
| 2P | kilobyte<br>A unit of information equal to 10 to the power of 3 (1000) bytes.                                |
| 2Q | kilobecquerel  |
| 2R | kilocurie  |
| 2U | megagram   |
| 2X | metre per minute   |
| 2Y | milliroentgen  |
| 2Z | millivolt  |
| 3B | megajoule  |
| 3C | manmonth<br>A unit of count defining the number of months for a person or persons to perform an undertaking. |
| 4C | centistokes  |
| 4G | microlitre   |
| 4H | micrometre (micron)  |
| 4K | milliampere  |
| 4L | megabyte<br>A unit of information equal to 10 to the power of 6 (1000000) bytes.                             |
| 4M | milligram per hour   |
| 4N | megabecquerel  |
| 4O | microfarad   |
| 4P | newton per metre   |
| 4Q | ounce inch   |
| 4R | ounce foot   |
| 4T | picofarad  |
| 4U | pound per hour   |

## Used Codes

---

|     |   |
|-----|---|
| 4W  | ton (US) per hour   |
| 4X  | kilolitre per hour  |
| 5A  | barrel (US) per minute  |
| 5B  | batch<br>A unit of count defining the number of batches (batch: quantity of material produced in one operation or number of animals or persons coming at once). |
| 5E  | MMSCF/day<br>A unit of volume equal to one million (1000000) cubic feet of gas per day.   |
| 5J  | hydraulic horse power<br>A unit of power defining the hydraulic horse power delivered by a fluid pump depending on the viscosity of the fluid.                  |
| A1  | 15 °C calorie   |
| A10 | ampere square metre per joule second  |
| A11 | angstrom  |
| A12 | astronomical unit   |
| A13 | attojoule   |
| A14 | barn  |
| A15 | barn per electronvolt   |
| A16 | barn per steradian electronvolt   |
| A17 | barn per steradian  |
| A18 | becquerel per kilogram  |
| A19 | becquerel per cubic metre   |
| A2  | ampere per centimetre   |
| A20 | British thermal unit (international table) per second square foot degree Rankine  |
| A21 | British thermal unit (international table) per pound degree Rankine   |
| A22 | British thermal unit (international table) per second foot degree Rankine   |
| A23 | British thermal unit (international table) per hour square foot degree Rankine  |
| A24 | candela per square metre  |
| A25 | cheval vapeur<br>Synonym: metric horse power  |
| A26 | coulomb metre   |
| A27 | coulomb metre squared per volt  |
| A28 | coulomb per cubic centimetre  |
| A29 | coulomb per cubic metre   |

**Used Codes**

|     |   |
|-----|---|
| A3  | ampere per millimetre   |
| A30 | coulomb per cubic millimetre  |
| A31 | coulomb per kilogram second   |
| A32 | coulomb per mole  |
| A33 | coulomb per square centimetre   |
| A34 | coulomb per square metre  |
| A35 | coulomb per square millimetre   |
| A36 | cubic centimetre per mole   |
| A37 | cubic decimetre per mole  |
| A38 | cubic metre per coulomb   |
| A39 | cubic metre per kilogram  |
| A4  | ampere per square centimetre  |
| A40 | cubic metre per mole  |
| A41 | ampere per square metre   |
| A42 | curie per kilogram  |
| A43 | deadweight tonnage<br>A unit of mass defining the difference between the weight of a ship when completely empty and its weight when completely loaded, expressed as the number of tons. |
| A44 | decalitre   |
| A45 | decametre   |
| A47 | decitex<br>A unit of yarn density. One decitex equals a mass of 1 gram per 10 kilometres of length.   |
| A48 | degree Rankine<br>Refer ISO 80000-5 (Quantities and units — Part 5: Thermodynamics)   |
| A49 | denier<br>A unit of yarn density. One denier equals a mass of 1 gram per 9 kilometres of length.  |
| A5  | ampere square metre   |
| A50 | dyne second per cubic centimetre  |
| A51 | dyne second per centimetre  |
| A52 | dyne second per centimetre to the fifth power   |
| A53 | electronvolt  |
| A54 | electronvolt per metre  |

**Used Codes**

|     |   |
|-----|---|
| A55 | electronvolt square metre   |
| A56 | electronvolt square metre per kilogram  |
| A57 | erg   |
| A58 | erg per centimetre  |
| A59 | 8-part cloud cover<br>A unit of count defining the number of eighth-parts as a measure of the celestial dome cloud coverage.<br>Synonym: OKTA , OCTA                          |
| A6  | ampere per square metre kelvin squared  |
| A60 | erg per cubic centimetre  |
| A61 | erg per gram  |
| A62 | erg per gram second   |
| A63 | erg per second  |
| A64 | erg per second square centimetre  |
| A65 | erg per square centimetre second  |
| A66 | erg square centimetre   |
| A67 | erg square centimetre per gram  |
| A68 | exajoule  |
| A69 | farad per metre   |
| A7  | ampere per square millimetre  |
| A70 | femtojoule  |
| A71 | femtometre  |
| A73 | foot per second squared   |
| A74 | foot pound-force per second   |
| A75 | freight ton<br>A unit of information typically used for billing purposes, defined as either the number of metric tons or the number of cubic metres, whichever is the larger. |
| A76 | gal   |
| A77 | Gaussian CGS (Centimetre-Gram-Second system) unit of displacement   |
| A78 | Gaussian CGS (Centimetre-Gram-Second system) unit of electric current   |
| A79 | Gaussian CGS (Centimetre-Gram-Second system) unit of electric charge  |
| A8  | ampere second   |
| A80 | Gaussian CGS (Centimetre-Gram-Second system) unit of electric field strength  |
| A81 | Gaussian CGS (Centimetre-Gram-Second system) unit of electric polarization  |
| A82 | Gaussian CGS (Centimetre-Gram-Second system) unit of electric potential   |

**Used Codes**

|     |   |
|-----|---|
| A83 | Gaussian CGS (Centimetre-Gram-Second system) unit of magnetization  |
| A84 | gigacoulomb per cubic metre   |
| A85 | gigaelectronvolt  |
| A86 | gigahertz   |
| A87 | gigaohm   |
| A88 | gigaohm metre   |
| A89 | gigapascal  |
| A9  | rate<br>A unit of quantity expressed as a rate for usage of a facility or service.                        |
| A90 | gigawatt  |
| A91 | gon<br>Synonym: grade   |
| A93 | gram per cubic metre  |
| A94 | gram per mole   |
| A95 | gray  |
| A96 | gray per second   |
| A97 | hectopascal   |
| A98 | henry per metre   |
| A99 | bit<br>A unit of information equal to one binary digit.   |
| AA  | ball<br>A unit of count defining the number of balls (ball: object formed in the shape of sphere).        |
| AB  | bulk pack<br>A unit of count defining the number of items per bulk pack.                                  |
| ACR | acre  |
| ACT | activity<br>A unit of count defining the number of activities (activity: a unit of work or action).       |
| AD  | byte<br>A unit of information equal to 8 bits.  |
| AE  | ampere per metre  |
| AH  | additional minute<br>A unit of time defining the number of minutes in addition to the referenced minutes. |

## Used Codes

---

|     |   |
|-----|---|
| AI  | average minute per call<br>A unit of count defining the number of minutes for the average interval of a call.   |
| AK  | fathom  |
| AL  | access line<br>A unit of count defining the number of telephone access lines.   |
| AMH | ampere hour<br>A unit of electric charge defining the amount of charge accumulated by a steady flow of one ampere for one hour.                               |
| AMP | ampere  |
| ANN | year<br>Unit of time equal to 365,25 days.<br>Synonym: Julian year  |
| APZ | troy ounce or apothecary ounce  |
| AQ  | anti-hemophilic factor (AHF) unit<br>A unit of measure for blood potency (US).  |
| ARE | are<br>Synonym: square decametre  |
| AS  | assortment<br>A unit of count defining the number of assortments (assortment: set of items grouped in a mixed collection).                                    |
| ASM | alcoholic strength by mass<br>A unit of mass defining the alcoholic strength of a liquid.   |
| ASU | alcoholic strength by volume<br>A unit of volume defining the alcoholic strength of a liquid (e.g. spirit, wine, beer, etc), often at a specific temperature. |
| ATM | standard atmosphere   |
| ATT | technical atmosphere  |
| AWG | american wire gauge<br>A unit of distance used for measuring the diameter of small tubes or wires such as the outer diameter of hypotermic or suture needles. |
| AY  | assembly<br>A unit of count defining the number of assemblies (assembly: items that consist of component parts).  |
| AZ  | British thermal unit (international table) per pound  |
| B1  | barrel (US) per day   |
| B10 | bit per second<br>A unit of information equal to one binary digit per second.   |

**Used Codes**

|     |   |
|-----|---|
| B11 | joule per kilogram kelvin   |
| B12 | joule per metre   |
| B13 | joule per square metre<br>Synonym: joule per metre squared                                      |
| B14 | joule per metre to the fourth power   |
| B15 | joule per mole  |
| B16 | joule per mole kelvin   |
| B17 | credit<br>A unit of count defining the number of entries made to the credit side of an account. |
| B18 | joule second  |
| B19 | digit<br>A unit of information defining the quantity of numerals used to form a number.         |
| B20 | joule square metre per kilogram   |
| B21 | kelvin per watt   |
| B22 | kiloampere  |
| B23 | kiloampere per square metre   |
| B24 | kiloampere per metre  |
| B25 | kilobecquerel per kilogram  |
| B26 | kilocoulomb   |
| B27 | kilocoulomb per cubic metre   |
| B28 | kilocoulomb per square metre  |
| B29 | kiloelectronvolt  |
| B3  | batting pound<br>A unit of mass defining the number of pounds of wadded fibre.                  |
| B30 | gibibit<br>A unit of information equal to $2^{30}$ bits (binary digits).                        |
| B31 | kilogram metre per second   |
| B32 | kilogram metre squared  |
| B33 | kilogram metre squared per second   |
| B34 | kilogram per cubic decimetre  |
| B35 | kilogram per litre  |
| B36 | calorie (thermochemical) per gram   |
| B37 | kilogram-force  |
| B38 | kilogram-force metre  |



**Used Codes**

|     |  |
|-----|--|
| B39 | kilogram-force metre per second  |
| B4  | barrel, imperial<br>A unit of volume used to measure beer. One beer barrel equals 36 imperial gallons. |
| B40 | kilogram-force per square metre  |
| B41 | kilojoule per kelvin   |
| B42 | kilojoule per kilogram   |
| B43 | kilojoule per kilogram kelvin  |
| B44 | kilojoule per mole   |
| B45 | kilomole   |
| B46 | kilomole per cubic metre   |
| B47 | kilonewton   |
| B48 | kilonewton metre   |
| B49 | kiloohm  |
| B50 | kiloohm metre  |
| B51 | kilopond<br>Synonym: kilogram-force  |
| B52 | kilosecond   |
| B53 | kilosiemens  |
| B54 | kilosiemens per metre  |
| B55 | kilovolt per metre   |
| B56 | kiloweber per metre  |
| B57 | light year<br>A unit of length defining the distance that light travels in a vacuum in one year.       |
| B58 | litre per mole   |
| B59 | lumen hour   |
| B60 | lumen per square metre   |
| B61 | lumen per watt   |
| B62 | lumen second   |
| B63 | lux hour   |
| B64 | lux second   |
| B65 | maxwell  |
| B66 | megaampere per square metre  |
| B67 | megabecquerel per kilogram   |

**Used Codes**

|     |  |
|-----|--|
| B68 | gigabit<br>A unit of information equal to 10 to the power of 9 bits (binary digits).                       |
| B69 | megacoulomb per cubic metre  |
| B7  | cycle<br>A unit of count defining the number of cycles (cycle: a recurrent period of definite duration).   |
| B70 | megacoulomb per square metre   |
| B71 | megaelectronvolt   |
| B72 | megagram per cubic metre   |
| B73 | meganewton   |
| B74 | meganewton metre   |
| B75 | megaohm  |
| B76 | megaohm metre  |
| B77 | megasiemens per metre  |
| B78 | megavolt   |
| B79 | megavolt per metre   |
| B8  | joule per cubic metre  |
| B80 | gigabit per second<br>A unit of information equal to 10 to the power of 9 bits (binary digits) per second. |
| B81 | reciprocal metre squared reciprocal second   |
| B82 | inch per linear foot<br>A unit of length defining the number of inches per linear foot.                    |
| B83 | metre to the fourth power  |
| B84 | microampere  |
| B85 | microbar   |
| B86 | microcoulomb   |
| B87 | microcoulomb per cubic metre   |
| B88 | microcoulomb per square metre  |
| B89 | microfarad per metre   |
| B90 | microhenry   |
| B91 | microhenry per metre   |
| B92 | micronewton  |
| B93 | micronewton metre  |
| B94 | microohm   |

## Used Codes

|     |   |
|-----|---|
| B95 | microohm metre  |
| B96 | micropascal   |
| B97 | microradian   |
| B98 | microsecond   |
| B99 | microsiemens  |
| BAR | bar [unit of pressure]  |
| BB  | base box<br>A unit of area of 112 sheets of tin mil products (tin plate, tin free steel or black plate) 14 by 20 inches, or 31,360 square inches. |
| BFT | board foot<br>A unit of volume defining the number of cords (cord: a stack of firewood of 128 cubic feet).  |
| BHP | brake horse power   |
| BIL | billion (EUR)<br>Synonym: trillion (US)   |
| BLD | dry barrel (US)   |
| BLL | barrel (US)   |
| BP  | hundred board foot<br>A unit of volume equal to one hundred board foot.   |
| BPM | beats per minute<br>The number of beats per minute.   |
| BQL | becquerel   |
| BTU | British thermal unit (international table)  |
| BUA | bushel (US)   |
| BUI | bushel (UK)   |
| C0  | call<br>A unit of count defining the number of calls (call: communication session or visitation).   |
| C10 | millifarad  |
| C11 | milligal  |
| C12 | milligram per metre   |
| C13 | milligray   |
| C14 | millihenry  |
| C15 | millijoule  |
| C16 | millimetre per second   |

**Used Codes**

|     |   |
|-----|---|
| C17 | millimetre squared per second   |
| C18 | millimole   |
| C19 | mole per kilogram   |
| C20 | millinewton   |
| C21 | kibibit<br>A unit of information equal to 2 to the power of 10 (1024) bits (binary digits). |
| C22 | millinewton per metre   |
| C23 | milliohm metre  |
| C24 | millipascal second  |
| C25 | milliradian   |
| C26 | millisecond   |
| C27 | millisiemens  |
| C28 | millisievert  |
| C29 | millitesla  |
| C3  | microvolt per metre   |
| C30 | millivolt per metre   |
| C31 | milliwatt   |
| C32 | milliwatt per square metre  |
| C33 | milliweber  |
| C34 | mole  |
| C35 | mole per cubic decimetre  |
| C36 | mole per cubic metre  |
| C37 | kilobit<br>A unit of information equal to 10 to the power of 3 (1000) bits (binary digits). |
| C38 | mole per litre  |
| C39 | nanoampere  |
| C40 | nanocoulomb   |
| C41 | nanofarad   |
| C42 | nanofarad per metre   |
| C43 | nanohenry   |
| C44 | nanohenry per metre   |
| C45 | nanometre   |
| C46 | nanoohm metre   |
| C47 | nanosecond  |

**Used Codes**

|     |   |
|-----|---|
| C48 | nanotesla   |
| C49 | nanowatt  |
| C50 | neper   |
| C51 | neper per second  |
| C52 | picometre   |
| C53 | newton metre second   |
| C54 | newton metre squared per kilogram squared   |
| C55 | newton per square metre   |
| C56 | newton per square millimetre  |
| C57 | newton second   |
| C58 | newton second per metre   |
| C59 | octave<br>A unit used in music to describe the ratio in frequency between notes.  |
| C60 | ohm centimetre  |
| C61 | ohm metre   |
| C62 | one<br>Synonym: unit  |
| C63 | parsec  |
| C64 | pascal per kelvin   |
| C65 | pascal second   |
| C66 | pascal second per cubic metre   |
| C67 | pascal second per metre   |
| C68 | petajoule   |
| C69 | phon<br>A unit of subjective sound loudness. A sound has loudness p phons if it seems to the listener to be equal in loudness to the sound of a pure tone of frequency 1 kilohertz and strength p decibels. |
| C7  | centipoise  |
| C70 | picoampere  |
| C71 | picocoulomb   |
| C72 | picofarad per metre   |
| C73 | picohenry   |
| C74 | kilobit per second<br>A unit of information equal to 10 to the power of 3 (1000) bits (binary digits) per second.   |

**Used Codes**

|     |  |
|-----|--|
| C75 | picowatt   |
| C76 | picowatt per square metre  |
| C78 | pound-force  |
| C79 | kilovolt ampere hour<br>A unit of accumulated energy of 1000 volt amperes over a period of one hour.   |
| C8  | millicoulomb per kilogram  |
| C80 | rad  |
| C81 | radian   |
| C82 | radian square metre per mole   |
| C83 | radian square metre per kilogram   |
| C84 | radian per metre   |
| C85 | reciprocal angstrom  |
| C86 | reciprocal cubic metre   |
| C87 | reciprocal cubic metre per second<br>Synonym: reciprocal second per cubic metre  |
| C88 | reciprocal electron volt per cubic metre   |
| C89 | reciprocal henry   |
| C9  | coil group<br>A unit of count defining the number of coil groups (coil group: groups of items arranged by lengths of those items placed in a joined sequence of concentric circles). |
| C90 | reciprocal joule per cubic metre   |
| C91 | reciprocal kelvin or kelvin to the power minus one   |
| C92 | reciprocal metre   |
| C93 | reciprocal square metre<br>Synonym: reciprocal metre squared   |
| C94 | reciprocal minute  |
| C95 | reciprocal mole  |
| C96 | reciprocal pascal or pascal to the power minus one   |
| C97 | reciprocal second  |
| C99 | reciprocal second per metre squared  |
| CCT | carrying capacity in metric ton<br>A unit of mass defining the carrying capacity, expressed as the number of metric tons.  |
| CDL | candela  |

## Used Codes

---

|     |  |
|-----|--|
| CEL | degree Celsius<br>Refer ISO 80000-5 (Quantities and units — Part 5: Thermodynamics)  |
| CEN | hundred<br>A unit of count defining the number of units in multiples of 100.   |
| CG  | card<br>A unit of count defining the number of units of card (card: thick stiff paper or cardboard).                             |
| CGM | centigram  |
| CKG | coulomb per kilogram   |
| CLF | hundred leave<br>A unit of count defining the number of leaves, expressed in units of one hundred leaves.                        |
| CLT | centilitre   |
| CMK | square centimetre  |
| CMQ | cubic centimetre   |
| CMT | centimetre   |
| CNP | hundred pack<br>A unit of count defining the number of hundred-packs (hundred-pack: set of one hundred items packaged together). |
| CNT | cental (UK)<br>A unit of mass equal to one hundred weight (US).  |
| COU | coulomb  |
| CTG | content gram<br>A unit of mass defining the number of grams of a named item in a product.  |
| CTM | metric carat   |
| CTN | content ton (metric)<br>A unit of mass defining the number of metric tons of a named item in a product.                          |
| CUR | curie  |
| CWA | hundred pound (cwt) / hundred weight (US)  |
| CWI | hundred weight (UK)  |
| D03 | kilowatt hour per hour<br>A unit of accumulated energy of a thousand watts over a period of one hour.                            |
| D04 | lot [unit of weight]<br>A unit of weight equal to about 1/2 ounce or 15 grams.   |
| D1  | reciprocal second per steradian  |
| D10 | siemens per metre  |

**Used Codes**

|     |  |
|-----|--|
| D11 | mebibit<br>A unit of information equal to 2 to the power of 20 (1048576) bits (binary digits).   |
| D12 | siemens square metre per mole  |
| D13 | sievert  |
| D15 | sones<br>A unit of subjective sound loudness. One sone is the loudness of a pure tone of frequency one kilohertz and strength 40 decibels. |
| D16 | square centimetre per erg  |
| D17 | square centimetre per steradian erg  |
| D18 | metre kelvin   |
| D19 | square metre kelvin per watt   |
| D2  | reciprocal second per steradian metre squared  |
| D20 | square metre per joule   |
| D21 | square metre per kilogram  |
| D22 | square metre per mole  |
| D23 | per gram (protein)<br>A unit of count defining the number of grams of amino acid prescribed for parenteral/enteral therapy.                |
| D24 | square metre per steradian   |
| D25 | square metre per steradian joule   |
| D26 | square metre per volt second   |
| D27 | steradian  |
| D29 | terahertz  |
| D30 | terajoule  |
| D31 | terawatt   |
| D32 | terawatt hour  |
| D33 | tesla  |
| D34 | tex<br>A unit of yarn density. One decitex equals a mass of 1 gram per 1 kilometre of length.  |
| D35 | calorie (thermochemical)   |
| D36 | megabit<br>A unit of information equal to 10 to the power of 6 (1000000) bits (binary digits).   |
| D37 | calorie (thermochemical) per gram kelvin   |



**Used Codes**

|     |   |
|-----|---|
| D38 | calorie (thermochemical) per second centimetre kelvin   |
| D39 | calorie (thermochemical) per second square centimetre kelvin  |
| D41 | tonne per cubic metre   |
| D42 | tropical year   |
| D43 | unified atomic mass unit  |
| D44 | var<br>The name of the unit is an acronym for volt-ampere-reactive.   |
| D45 | volt squared per kelvin squared   |
| D46 | volt - ampere   |
| D47 | volt per centimetre   |
| D48 | volt per kelvin   |
| D49 | millivolt per kelvin  |
| D5  | kilogram per square centimetre  |
| D50 | volt per metre  |
| D51 | volt per millimetre   |
| D52 | watt per kelvin   |
| D53 | watt per metre kelvin   |
| D54 | watt per square metre   |
| D55 | watt per square metre kelvin  |
| D56 | watt per square metre kelvin to the fourth power  |
| D57 | watt per steradian  |
| D58 | watt per steradian square metre   |
| D59 | weber per metre   |
| D6  | roentgen per second   |
| D60 | weber per millimetre  |
| D61 | minute [unit of angle]  |
| D62 | second [unit of angle]  |
| D63 | book<br>A unit of count defining the number of books (book: set of items bound together or written document of a material whole). |
| D65 | round<br>A unit of count defining the number of rounds (round: A circular or cylindrical object).                                 |
| D68 | number of words<br>A unit of count defining the number of words.  |

**Used Codes**

|     |  |
|-----|--|
| D69 | inch to the fourth power   |
| D70 | calorie (international table)  |
| D71 | calorie (international table) per second centimetre kelvin   |
| D72 | calorie (international table) per second square centimetre kelvin  |
| D73 | joule square metre   |
| D74 | kilogram per mole  |
| D75 | calorie (international table) per gram   |
| D76 | calorie (international table) per gram kelvin  |
| D77 | megacoulomb  |
| D78 | megajoule per second<br>A unit of accumulated energy equal to one million joules per second.                           |
| D80 | microwatt  |
| D81 | microtesla   |
| D82 | microvolt  |
| D83 | millinewton metre  |
| D85 | microwatt per square metre   |
| D86 | millicoulomb   |
| D87 | millimole per kilogram   |
| D88 | millicoulomb per cubic metre   |
| D89 | millicoulomb per square metre  |
| D9  | dyne per square centimetre   |
| D91 | rem  |
| D93 | second per cubic metre   |
| D94 | second per cubic metre radian  |
| D95 | joule per gram   |
| DAA | decare   |
| DAD | ten day<br>A unit of time defining the number of days in multiples of 10.  |
| DAY | day  |
| DB  | dry pound<br>A unit of mass defining the number of pounds of a product, disregarding the water content of the product. |

## Used Codes

---

|     |   |
|-----|---|
| DBM | Decibel-milliwatts<br>dBm (sometimes dBmW or decibel-milliwatts) is unit of level used to indicate that a power ratio is expressed in decibels (dB) with reference to one milliwatt (mW). |
| DBW | Decibel watt<br>The decibel watt or dBW is a unit for the measurement of the strength of a signal expressed in decibels relative to one watt.   |
| DD  | degree [unit of angle]  |
| DEC | decade<br>A unit of count defining the number of decades (decade: quantity equal to 10 or time equal to 10 years).  |
| DG  | decigram  |
| DJ  | decagram  |
| DLT | decilitre   |
| DMA | cubic decametre   |
| DMK | square decimetre  |
| DMO | standard kilolitre<br>A unit of volume defining the number of kilolitres of a product at a temperature of 15 degrees Celsius, especially in relation to hydrocarbon oils.                 |
| DMQ | cubic decimetre   |
| DMT | decimetre   |
| DN  | decinewton metre  |
| DPC | dozen piece<br>A unit of count defining the number of pieces in multiples of 12 (piece: a single item, article or exemplar).  |
| DPR | dozen pair<br>A unit of count defining the number of pairs in multiples of 12 (pair: item described by two's).  |
| DPT | displacement tonnage<br>A unit of mass defining the volume of sea water a ship displaces, expressed as the number of tons.  |
| DRA | dram (US)<br>Synonym: drachm (UK), troy dram  |
| DRI | dram (UK)<br>Synonym: avoirdupois dram  |
| DRL | dozen roll<br>A unit of count defining the number of rolls, expressed in twelve roll units.   |

## Used Codes

---

|     |   |
|-----|---|
| DT  | dry ton<br>A unit of mass defining the number of tons of a product, disregarding the water content of the product.                            |
| DTN | decitonne<br>Synonym: centner, metric 100 kg, quintal, metric 100 kg  |
| DU  | dyne  |
| DWT | pennyweight   |
| DX  | dyne per centimetre   |
| DZN | dozen<br>A unit of count defining the number of units in multiples of 12.   |
| DZP | dozen pack<br>A unit of count defining the number of packs in multiples of 12 (pack: standard packaging unit).                                |
| E01 | newton per square centimetre<br>A measure of pressure expressed in newtons per square centimetre.   |
| E07 | megawatt hour per hour<br>A unit of accumulated energy of a million watts over a period of one hour.  |
| E08 | megawatt per hertz<br>A unit of energy expressed as the load change in million watts that will cause a frequency shift of one hertz.          |
| E09 | milliampere hour<br>A unit of power load delivered at the rate of one thousandth of an ampere over a period of one hour.                      |
| E10 | degree day<br>A unit of measure used in meteorology and engineering to measure the demand for heating or cooling over a given period of days. |
| E11 | gigacalorie<br>A unit of heat energy equal to one thousand million calories.  |
| E12 | mille<br>A unit of count defining the number of cigarettes in units of 1000.  |
| E14 | kilocalorie (international table)<br>A unit of heat energy equal to one thousand calories.  |
| E15 | kilocalorie (thermochemical) per hour<br>A unit of energy equal to one thousand calories per hour.  |
| E16 | million Btu(IT) per hour<br>A unit of power equal to one million British thermal units per hour.  |

## Used Codes

---

|     |  |
|-----|--|
| E17 | cubic foot per second<br>A unit of volume equal to one cubic foot passing a given point in a period of one second.   |
| E18 | tonne per hour<br>A unit of weight or mass equal to one tonne per hour.  |
| E19 | ping<br>A unit of area equal to 3.3 square metres.   |
| E20 | megabit per second<br>A unit of information equal to 10 to the power of 6 (1000000) bits (binary digits) per second.   |
| E21 | shares<br>A unit of count defining the number of shares (share: a total or portion of the parts into which a business entity's capital is divided).                                      |
| E22 | TEU<br>A unit of count defining the number of twenty-foot equivalent units (TEUs) as a measure of containerized cargo capacity.  |
| E23 | tyre<br>A unit of count defining the number of tyres (a solid or air-filled covering placed around a wheel rim to form a soft contact with the road, absorb shock and provide traction). |
| E25 | active unit<br>A unit of count defining the number of active units within a substance.   |
| E27 | dose<br>A unit of count defining the number of doses (dose: a definite quantity of a medicine or drug).  |
| E28 | air dry ton<br>A unit of mass defining the number of tons of a product, disregarding the water content of the product.   |
| E30 | strand<br>A unit of count defining the number of strands (strand: long, thin, flexible, single thread, strip of fibre, constituent filament or multiples of the same, twisted together). |
| E31 | square metre per litre<br>A unit of count defining the number of square metres per litre.  |
| E32 | litre per hour<br>A unit of count defining the number of litres per hour.  |
| E33 | foot per thousand<br>A unit of count defining the number of feet per thousand units.   |
| E34 | gigabyte<br>A unit of information equal to 10 to the power of 9 bytes.   |

## Used Codes

---

|     |  |
|-----|--|
| E35 | terabyte<br>A unit of information equal to 10 to the power of 12 bytes.  |
| E36 | petabyte<br>A unit of information equal to 10 to the power of 15 bytes.  |
| E37 | pixel<br>A unit of count defining the number of pixels (pixel: picture element).   |
| E38 | megapixel<br>A unit of count equal to 10 to the power of 6 (1000000) pixels (picture elements).  |
| E39 | dots per inch<br>A unit of information defining the number of dots per linear inch as a measure of the resolution or sharpness of a graphic image. |
| E4  | gross kilogram<br>A unit of mass defining the total number of kilograms before deductions.   |
| E40 | part per hundred thousand<br>A unit of proportion equal to 10 to the power of -5.  |
| E41 | kilogram-force per square millimetre<br>A unit of pressure defining the number of kilograms force per square millimetre.                           |
| E42 | kilogram-force per square centimetre<br>A unit of pressure defining the number of kilograms force per square centimetre.                           |
| E43 | joule per square centimetre<br>A unit of energy defining the number of joules per square centimetre.   |
| E44 | kilogram-force metre per square centimetre<br>A unit of torsion defining the torque kilogram-force metre per square centimetre.                    |
| E45 | milliohm   |
| E46 | kilowatt hour per cubic metre<br>A unit of energy consumption expressed as kilowatt hour per cubic metre.  |
| E47 | kilowatt hour per kelvin<br>A unit of energy consumption expressed as kilowatt hour per kelvin.  |
| E48 | service unit<br>A unit of count defining the number of service units (service unit: defined period / property / facility / utility of supply).     |
| E49 | working day<br>A unit of count defining the number of working days (working day: a day on which work is ordinarily performed).                     |

## Used Codes

---

|     |  |
|-----|--|
| E50 | accounting unit<br>A unit of count defining the number of accounting units.  |
| E51 | job<br>A unit of count defining the number of jobs.  |
| E52 | run foot<br>A unit of count defining the number feet per run.  |
| E53 | test<br>A unit of count defining the number of tests.  |
| E54 | trip<br>A unit of count defining the number of trips.  |
| E55 | use<br>A unit of count defining the number of times an object is used.   |
| E56 | well<br>A unit of count defining the number of wells.  |
| E57 | zone<br>A unit of count defining the number of zones.  |
| E58 | exabit per second<br>A unit of information equal to 10 to the power of 18 bits (binary digits) per second.             |
| E59 | exbibyte<br>A unit of information equal to 2 to the power of 60 bytes.   |
| E60 | pebibyte<br>A unit of information equal to 2 to the power of 50 bytes.   |
| E61 | tebibyte<br>A unit of information equal to 2 to the power of 40 bytes.   |
| E62 | gibibyte<br>A unit of information equal to 2 to the power of 30 bytes.   |
| E63 | mebibyte<br>A unit of information equal to 2 to the power of 20 bytes.   |
| E64 | kibibyte<br>A unit of information equal to 2 to the power of 10 bytes.   |
| E65 | exbibit per metre<br>A unit of information equal to 2 to the power of 60 bits (binary digits) per metre.               |
| E66 | exbibit per square metre<br>A unit of information equal to 2 to the power of 60 bits (binary digits) per square metre. |

## Used Codes

---

|     |  |
|-----|--|
| E67 | exbibit per cubic metre<br>A unit of information equal to 2 to the power of 60 bits (binary digits) per cubic metre.   |
| E68 | gigabyte per second<br>A unit of information equal to 10 to the power of 9 bytes per second.                           |
| E69 | gibibit per metre<br>A unit of information equal to 2 to the power of 30 bits (binary digits) per metre.               |
| E70 | gibibit per square metre<br>A unit of information equal to 2 to the power of 30 bits (binary digits) per square metre. |
| E71 | gibibit per cubic metre<br>A unit of information equal to 2 to the power of 30 bits (binary digits) per cubic metre.   |
| E72 | kibibit per metre<br>A unit of information equal to 2 to the power of 10 bits (binary digits) per metre.               |
| E73 | kibibit per square metre<br>A unit of information equal to 2 to the power of 10 bits (binary digits) per square metre. |
| E74 | kibibit per cubic metre<br>A unit of information equal to 2 to the power of 10 bits (binary digits) per cubic metre.   |
| E75 | mebibit per metre<br>A unit of information equal to 2 to the power of 20 bits (binary digits) per metre.               |
| E76 | mebibit per square metre<br>A unit of information equal to 2 to the power of 20 bits (binary digits) per square metre. |
| E77 | mebibit per cubic metre<br>A unit of information equal to 2 to the power of 20 bits (binary digits) per cubic metre.   |
| E78 | petabit<br>A unit of information equal to 10 to the power of 15 bits (binary digits).                                  |
| E79 | petabit per second<br>A unit of information equal to 10 to the power of 15 bits (binary digits) per second.            |
| E80 | pebibit per metre<br>A unit of information equal to 2 to the power of 50 bits (binary digits) per metre.               |



## Used Codes

---

|     |  |
|-----|--|
| E81 | pebibit per square metre<br>A unit of information equal to 2 to the power of 50 bits (binary digits) per square metre. |
| E82 | pebibit per cubic metre<br>A unit of information equal to 2 to the power of 50 bits (binary digits) per cubic metre.   |
| E83 | terabit<br>A unit of information equal to 10 to the power of 12 bits (binary digits).                                  |
| E84 | terabit per second<br>A unit of information equal to 10 to the power of 12 bits (binary digits) per second.            |
| E85 | tebibit per metre<br>A unit of information equal to 2 to the power of 40 bits (binary digits) per metre.               |
| E86 | tebibit per cubic metre<br>A unit of information equal to 2 to the power of 40 bits (binary digits) per cubic metre.   |
| E87 | tebibit per square metre<br>A unit of information equal to 2 to the power of 40 bits (binary digits) per square metre. |
| E88 | bit per metre<br>A unit of information equal to 1 bit (binary digit) per metre.  |
| E89 | bit per square metre<br>A unit of information equal to 1 bit (binary digit) per square metre.                          |
| E90 | reciprocal centimetre  |
| E91 | reciprocal day   |
| E92 | cubic decimetre per hour   |
| E93 | kilogram per hour  |
| E94 | kilomole per second  |
| E95 | mole per second  |
| E96 | degree per second  |
| E97 | millimetre per degree Celcius metre  |
| E98 | degree Celsius per kelvin  |
| E99 | hectopascal per bar  |
| EA  | each<br>A unit of count defining the number of items regarded as separate units.                                       |
| EB  | electronic mail box<br>A unit of count defining the number of electronic mail boxes.                                   |

**Used Codes**

|     |   |
|-----|---|
| EQ  | equivalent gallon<br>A unit of volume defining the number of gallons of product produced from concentrate.      |
| F01 | bit per cubic metre<br>A unit of information equal to 1 bit (binary digit) per cubic metre.                     |
| F02 | kelvin per kelvin   |
| F03 | kilopascal per bar  |
| F04 | millibar per bar  |
| F05 | megapascal per bar  |
| F06 | poise per bar   |
| F07 | pascal per bar  |
| F08 | milliampere per inch  |
| F10 | kelvin per hour   |
| F11 | kelvin per minute   |
| F12 | kelvin per second   |
| F13 | slug<br>A unit of mass. One slug is the mass accelerated at 1 foot per second per second by a force of 1 pound. |
| F14 | gram per kelvin   |
| F15 | kilogram per kelvin   |
| F16 | milligram per kelvin  |
| F17 | pound-force per foot  |
| F18 | kilogram square centimetre  |
| F19 | kilogram square millimetre  |
| F20 | pound inch squared  |
| F21 | pound-force inch  |
| F22 | pound-force foot per ampere   |
| F23 | gram per cubic decimetre  |
| F24 | kilogram per kilomole   |
| F25 | gram per hertz  |
| F26 | gram per day  |
| F27 | gram per hour   |
| F28 | gram per minute   |
| F29 | gram per second   |
| F30 | kilogram per day  |

**Used Codes**

|     |   |
|-----|---|
| F31 | kilogram per minute   |
| F32 | milligram per day   |
| F33 | milligram per minute  |
| F34 | milligram per second  |
| F35 | gram per day kelvin   |
| F36 | gram per hour kelvin  |
| F37 | gram per minute kelvin  |
| F38 | gram per second kelvin  |
| F39 | kilogram per day kelvin   |
| F40 | kilogram per hour kelvin  |
| F41 | kilogram per minute kelvin  |
| F42 | kilogram per second kelvin  |
| F43 | milligram per day kelvin  |
| F44 | milligram per hour kelvin   |
| F45 | milligram per minute kelvin   |
| F46 | milligram per second kelvin   |
| F47 | newton per millimetre   |
| F48 | pound-force per inch  |
| F49 | rod [unit of distance]<br>A unit of distance equal to 5.5 yards (16 feet 6 inches). |
| F50 | micrometre per kelvin   |
| F51 | centimetre per kelvin   |
| F52 | metre per kelvin  |
| F53 | millimetre per kelvin   |
| F54 | milliohm per metre  |
| F55 | ohm per mile (statute mile)   |
| F56 | ohm per kilometre   |
| F57 | milliampere per pound-force per square inch   |
| F58 | reciprocal bar  |
| F59 | milliampere per bar   |
| F60 | degree Celsius per bar  |
| F61 | kelvin per bar  |
| F62 | gram per day bar  |

**Used Codes**

|     |  |
|-----|--|
| F63 | gram per hour bar  |
| F64 | gram per minute bar  |
| F65 | gram per second bar  |
| F66 | kilogram per day bar   |
| F67 | kilogram per hour bar  |
| F68 | kilogram per minute bar  |
| F69 | kilogram per second bar  |
| F70 | milligram per day bar  |
| F71 | milligram per hour bar   |
| F72 | milligram per minute bar   |
| F73 | milligram per second bar   |
| F74 | gram per bar   |
| F75 | milligram per bar  |
| F76 | milliampere per millimetre   |
| F77 | pascal second per kelvin   |
| F78 | inch of water  |
| F79 | inch of mercury  |
| F80 | water horse power<br>A unit of power defining the amount of power required to move a given volume of water against acceleration of gravity to a specified elevation (pressure head). |
| F81 | bar per kelvin   |
| F82 | hectopascal per kelvin   |
| F83 | kilopascal per kelvin  |
| F84 | millibar per kelvin  |
| F85 | megapascal per kelvin  |
| F86 | poise per kelvin   |
| F87 | volt per litre minute  |
| F88 | newton centimetre  |
| F89 | newton metre per degree  |
| F90 | newton metre per ampere  |
| F91 | bar litre per second   |
| F92 | bar cubic metre per second   |
| F93 | hectopascal litre per second   |

## Used Codes

---

|     |   |
|-----|---|
| F94 | hectopascal cubic metre per second  |
| F95 | millibar litre per second   |
| F96 | millibar cubic metre per second   |
| F97 | megapascal litre per second   |
| F98 | megapascal cubic metre per second   |
| F99 | pascal litre per second   |
| FAH | degree Fahrenheit<br>Refer ISO 80000-5 (Quantities and units — Part 5: Thermodynamics)  |
| FAR | farad   |
| FBM | fibre metre<br>A unit of length defining the number of metres of individual fibre.  |
| FC  | thousand cubic foot<br>A unit of volume equal to one thousand cubic foot.   |
| FF  | hundred cubic metre<br>A unit of volume equal to one hundred cubic metres.  |
| FH  | micromole   |
| FIT | failures in time<br>A unit of count defining the number of failures that can be expected over a specified time interval. Failure rates of semiconductor components are often specified as FIT (failures in time unit) where 1 FIT = 10 to the power of -9 /h. |
| FL  | flake ton<br>A unit of mass defining the number of tons of a flaked substance (flake: a small flattish fragment).   |
| FNU | Formazin nephelometric unit<br>Formazin nephelometric unit (FNU) is used for water turbidity level evaluation   |
| FOT | foot  |
| FP  | pound per square foot   |
| FR  | foot per minute   |
| FS  | foot per second   |
| FTK | square foot   |
| FTQ | cubic foot  |
| G01 | pascal cubic metre per second   |
| G04 | centimetre per bar  |
| G05 | metre per bar   |
| G06 | millimetre per bar  |
| G08 | square inch per second  |

**Used Codes**

|     |                                      |
|-----|--------------------------------------|
| G09 | square metre per second kelvin       |
| G10 | stokes per kelvin                    |
| G11 | gram per cubic centimetre bar        |
| G12 | gram per cubic decimetre bar         |
| G13 | gram per litre bar                   |
| G14 | gram per cubic metre bar             |
| G15 | gram per millilitre bar              |
| G16 | kilogram per cubic centimetre bar    |
| G17 | kilogram per litre bar               |
| G18 | kilogram per cubic metre bar         |
| G19 | newton metre per kilogram            |
| G2  | US gallon per minute                 |
| G20 | pound-force foot per pound           |
| G21 | cup [unit of volume]                 |
| G23 | peck                                 |
| G24 | tablespoon (US)                      |
| G25 | teaspoon (US)                        |
| G26 | stere                                |
| G27 | cubic centimetre per kelvin          |
| G28 | litre per kelvin                     |
| G29 | cubic metre per kelvin               |
| G3  | Imperial gallon per minute           |
| G30 | millilitre per kelvin                |
| G31 | kilogram per cubic centimetre        |
| G32 | ounce (avoirdupois) per cubic yard   |
| G33 | gram per cubic centimetre kelvin     |
| G34 | gram per cubic decimetre kelvin      |
| G35 | gram per litre kelvin                |
| G36 | gram per cubic metre kelvin          |
| G37 | gram per millilitre kelvin           |
| G38 | kilogram per cubic centimetre kelvin |
| G39 | kilogram per litre kelvin            |
| G40 | kilogram per cubic metre kelvin      |

**Used Codes**

|     |                                    |
|-----|------------------------------------|
| G41 | square metre per second bar        |
| G42 | microsiemens per centimetre        |
| G43 | microsiemens per metre             |
| G44 | nanosiemens per centimetre         |
| G45 | nanosiemens per metre              |
| G46 | stokes per bar                     |
| G47 | cubic centimetre per day           |
| G48 | cubic centimetre per hour          |
| G49 | cubic centimetre per minute        |
| G50 | gallon (US) per hour               |
| G51 | litre per second                   |
| G52 | cubic metre per day                |
| G53 | cubic metre per minute             |
| G54 | millilitre per day                 |
| G55 | millilitre per hour                |
| G56 | cubic inch per hour                |
| G57 | cubic inch per minute              |
| G58 | cubic inch per second              |
| G59 | milliampere per litre minute       |
| G60 | volt per bar                       |
| G61 | cubic centimetre per day kelvin    |
| G62 | cubic centimetre per hour kelvin   |
| G63 | cubic centimetre per minute kelvin |
| G64 | cubic centimetre per second kelvin |
| G65 | litre per day kelvin               |
| G66 | litre per hour kelvin              |
| G67 | litre per minute kelvin            |
| G68 | litre per second kelvin            |
| G69 | cubic metre per day kelvin         |
| G70 | cubic metre per hour kelvin        |
| G71 | cubic metre per minute kelvin      |
| G72 | cubic metre per second kelvin      |
| G73 | millilitre per day kelvin          |

**Used Codes**

|     |  |
|-----|--|
| G74 | millilitre per hour kelvin   |
| G75 | millilitre per minute kelvin   |
| G76 | millilitre per second kelvin   |
| G77 | millimetre to the fourth power   |
| G78 | cubic centimetre per day bar   |
| G79 | cubic centimetre per hour bar  |
| G80 | cubic centimetre per minute bar  |
| G81 | cubic centimetre per second bar  |
| G82 | litre per day bar  |
| G83 | litre per hour bar   |
| G84 | litre per minute bar   |
| G85 | litre per second bar   |
| G86 | cubic metre per day bar  |
| G87 | cubic metre per hour bar   |
| G88 | cubic metre per minute bar   |
| G89 | cubic metre per second bar   |
| G90 | millilitre per day bar   |
| G91 | millilitre per hour bar  |
| G92 | millilitre per minute bar  |
| G93 | millilitre per second bar  |
| G94 | cubic centimetre per bar   |
| G95 | litre per bar  |
| G96 | cubic metre per bar  |
| G97 | millilitre per bar   |
| G98 | microhenry per kilohm  |
| G99 | microhenry per ohm   |
| GB  | gallon (US) per day  |
| GBQ | gigabecquerel  |
| GDW | gram, dry weight<br>A unit of mass defining the number of grams of a product, disregarding the water content of the product. |
| GE  | pound per gallon (US)  |
| GF  | gram per metre (gram per 100 centimetres)  |



## Used Codes

---

|     |   |
|-----|---|
| GFI | gram of fissile isotope<br>A unit of mass defining the number of grams of a fissile isotope (fissile isotope: an isotope whose nucleus is able to be split when irradiated with low energy neutrons).     |
| GGR | great gross<br>A unit of count defining the number of units in multiples of 1728 (12 x 12 x 12).  |
| GIA | gill (US)   |
| GIC | gram, including container<br>A unit of mass defining the number of grams of a product, including its container.   |
| GII | gill (UK)   |
| GIP | gram, including inner packaging<br>A unit of mass defining the number of grams of a product, including its inner packaging materials.   |
| GJ  | gram per millilitre   |
| GL  | gram per litre  |
| GLD | dry gallon (US)   |
| GLI | gallon (UK)   |
| GLL | gallon (US)   |
| GM  | gram per square metre   |
| GO  | milligram per square metre  |
| GP  | milligram per cubic metre   |
| GQ  | microgram per cubic metre   |
| GRM | gram  |
| GRN | grain   |
| GRO | gross<br>A unit of count defining the number of units in multiples of 144 (12 x 12).  |
| GRT | gross register ton<br>A unit of mass equal to the total cubic footage before deductions, where 1 register ton is equal to 100 cubic feet. Refer International Convention on tonnage measurement of ships. |
| GT  | gross ton<br>A unit of mass equal to 2240 pounds. Refer International Convention on Tonnage measurement of Ships.<br>Synonym: ton (UK) or long ton (US) (common code LTN)                                 |
| GV  | gigajoule   |
| GWH | gigawatt hour   |

**Used Codes**

|     |  |
|-----|--|
| H03 | henry per kilohm   |
| H04 | henry per ohm  |
| H05 | millihenry per kilohm  |
| H06 | millihenry per ohm   |
| H07 | pascal second per bar  |
| H08 | microbecquerel   |
| H09 | reciprocal year  |
| H10 | reciprocal hour  |
| H11 | reciprocal month   |
| H12 | degree Celsius per hour  |
| H13 | degree Celsius per minute  |
| H14 | degree Celsius per second  |
| H15 | square centimetre per gram   |
| H16 | square decametre<br>Synonym: are   |
| H18 | square hectometre<br>Synonym: hectare  |
| H19 | cubic hectometre   |
| H20 | cubic kilometre  |
| H21 | blank<br>A unit of count defining the number of blanks.  |
| H22 | volt square inch per pound-force   |
| H23 | volt per inch  |
| H24 | volt per microsecond   |
| H25 | percent per kelvin<br>A unit of proportion, equal to 0.01, in relation to the SI base unit Kelvin. |
| H26 | ohm per metre  |
| H27 | degree per metre   |
| H28 | microfarad per kilometre   |
| H29 | microgram per litre  |
| H30 | square micrometre (square micron)  |
| H31 | ampere per kilogram  |
| H32 | ampere squared second  |
| H33 | farad per kilometre  |

**Used Codes**

|     |  |
|-----|--|
| H34 | hertz metre                              |
| H35 | kelvin metre per watt                    |
| H36 | megaohm per kilometre                    |
| H37 | megaohm per metre                        |
| H38 | megaampere                               |
| H39 | megahertz kilometre                      |
| H40 | newton per ampere                        |
| H41 | newton metre watt to the power minus 0,5 |
| H42 | pascal per metre                         |
| H43 | siemens per centimetre                   |
| H44 | teraohm                                  |
| H45 | volt second per metre                    |
| H46 | volt per second                          |
| H47 | watt per cubic metre                     |
| H48 | attofarad                                |
| H49 | centimetre per hour                      |
| H50 | reciprocal cubic centimetre              |
| H51 | decibel per kilometre                    |
| H52 | decibel per metre                        |
| H53 | kilogram per bar                         |
| H54 | kilogram per cubic decimetre kelvin      |
| H55 | kilogram per cubic decimetre bar         |
| H56 | kilogram per square metre second         |
| H57 | inch per two pi radiant                  |
| H58 | metre per volt second                    |
| H59 | square metre per newton                  |
| H60 | cubic metre per cubic metre              |
| H61 | millisiemens per centimetre              |
| H62 | millivolt per minute                     |
| H63 | milligram per square centimetre          |
| H64 | milligram per gram                       |
| H65 | millilitre per cubic metre               |
| H66 | millimetre per year                      |

## Used Codes

---

|     |  |
|-----|--|
| H67 | millimetre per hour  |
| H68 | millimole per gram   |
| H69 | picopascal per kilometre   |
| H70 | picosecond   |
| H71 | percent per month<br>A unit of proportion, equal to 0.01, in relation to a month.  |
| H72 | percent per hectobar<br>A unit of proportion, equal to 0.01, in relation to 100-fold of the unit bar.  |
| H73 | percent per decakelvin<br>A unit of proportion, equal to 0.01, in relation to 10-fold of the SI base unit Kelvin.  |
| H74 | watt per metre   |
| H75 | decapascal   |
| H76 | gram per millimetre  |
| H77 | module width<br>A unit of measure used to describe the breadth of electronic assemblies as an installation standard or mounting dimension.   |
| H78 | conventional centimetre of water   |
| H79 | Charrière<br>A unit of distance used for measuring the diameter of small tubes such as urological instruments and catheters.<br>Synonym: French, French gauge, Charrière gauge                 |
| H80 | rack unit<br>A unit of measure used to describe the height in rack units of equipment intended for mounting in a 19-inch rack or a 23-inch rack. One rack unit is 1.75 inches (44.45 mm) high. |
| H81 | millimetre per minute  |
| H82 | big point<br>A unit of length defining the number of big points (big point: Adobe software(US) defines the big point to be exactly 1/72 inch (0.013 888 9 inch or 0.352 777 8 millimeters))    |
| H83 | litre per kilogram   |
| H84 | gram millimetre  |
| H85 | reciprocal week  |
| H87 | piece<br>A unit of count defining the number of pieces (piece: a single item, article or exemplar).  |
| H88 | megaohm kilometre  |

## Used Codes

---

|     |  |
|-----|--|
| H89 | percent per ohm<br>A unit of proportion, equal to 0.01, in relation to the SI derived unit ohm.  |
| H90 | percent per degree<br>A unit of proportion, equal to 0.01, in relation to an angle of one degree.  |
| H91 | percent per ten thousand<br>A unit of proportion, equal to 0.01, in relation to multiples of ten thousand.   |
| H92 | percent per one hundred thousand<br>A unit of proportion, equal to 0.01, in relation to multiples of one hundred thousand.                           |
| H93 | percent per hundred<br>A unit of proportion, equal to 0.01, in relation to multiples of one hundred.   |
| H94 | percent per thousand<br>A unit of proportion, equal to 0.01, in relation to multiples of one thousand.   |
| H95 | percent per volt<br>A unit of proportion, equal to 0.01, in relation to the SI derived unit volt.  |
| H96 | percent per bar<br>A unit of proportion, equal to 0.01, in relation to an atmospheric pressure of one bar.   |
| H98 | percent per inch<br>A unit of proportion, equal to 0.01, in relation to an inch.   |
| H99 | percent per metre<br>A unit of proportion, equal to 0.01, in relation to a metre.  |
| HA  | hank<br>A unit of length, typically for yarn.  |
| HAD | Piece Day<br>Unit for measuring the item amount and time as required by DIN 18451  |
| HAR | hectare<br>Synonym: square hectometre  |
| HBA | hectobar   |
| HBX | hundred boxes<br>A unit of count defining the number of boxes in multiples of one hundred box units.   |
| HC  | hundred count<br>A unit of count defining the number of units counted in multiples of 100.   |
| HDW | hundred kilogram, dry weight<br>A unit of mass defining the number of hundred kilograms of a product, disregarding the water content of the product. |

## Used Codes

---

|     |   |
|-----|---|
| HEA | head<br>A unit of count defining the number of heads (head: a person or animal considered as one of a number).        |
| HGM | hectogram   |
| HH  | hundred cubic foot<br>A unit of volume equal to one hundred cubic foot.   |
| HIU | hundred international unit<br>A unit of count defining the number of international units in multiples of 100.         |
| HJ  | metric horse power  |
| HKM | hundred kilogram, net mass<br>A unit of mass defining the number of hundred kilograms of a product, after deductions. |
| HLT | hectolitre  |
| HM  | mile per hour (statute mile)  |
| HMO | Piece Month<br>Unit for measuring the item amount and time as required by DIN 18451                                   |
| HMQ | million cubic metre<br>A unit of volume equal to one million cubic metres.  |
| HMT | hectometre  |
| HN  | conventional millimetre of mercury  |
| HP  | conventional millimetre of water  |
| HPA | hectolitre of pure alcohol<br>A unit of volume equal to one hundred litres of pure alcohol.                           |
| HTZ | hertz   |
| HUR | hour  |
| HWE | Piece Week<br>Unit for measuring the item amount and time as required by DIN 18451                                    |
| IA  | inch pound (pound inch)   |
| IE  | person<br>A unit of count defining the number of persons.   |
| INH | inch  |
| INK | square inch   |
| INQ | cubic inch<br>Synonym: inch cubed   |

## Used Codes

|     |  |
|-----|--|
| ISD | international sugar degree<br>A unit of measure defining the sugar content of a solution, expressed in degrees.  |
| IU  | inch per second  |
| IV  | inch per second squared  |
| J10 | percent per millimetre<br>A unit of proportion, equal to 0.01, in relation to a millimetre.  |
| J12 | per mille per psi<br>A unit of pressure equal to one thousandth of a psi (pound-force per square inch).  |
| J13 | degree API<br>A unit of relative density as a measure of how heavy or light a petroleum liquid is compared to water (API: American Petroleum Institute).   |
| J14 | degree Baume (origin scale)<br>A traditional unit of relative density for liquids. Named after Antoine Baumé.  |
| J15 | degree Baume (US heavy)<br>A unit of relative density for liquids heavier than water.  |
| J16 | degree Baume (US light)<br>A unit of relative density for liquids lighter than water.  |
| J17 | degree Balling<br>A unit of density as a measure of sugar content, especially of beer wort. Named after Karl Balling.                                      |
| J18 | degree Brix<br>A unit of proportion used in measuring the dissolved sugar-to-water mass ratio of a liquid. Named after Adolf Brix.                         |
| J19 | degree Fahrenheit hour square foot per British thermal unit (thermochemical)   |
| J2  | joule per kilogram   |
| J20 | degree Fahrenheit per kelvin   |
| J21 | degree Fahrenheit per bar  |
| J22 | degree Fahrenheit hour square foot per British thermal unit (international table)  |
| J23 | degree Fahrenheit per hour   |
| J24 | degree Fahrenheit per minute   |
| J25 | degree Fahrenheit per second   |
| J26 | reciprocal degree Fahrenheit   |
| J27 | degree Oechsle<br>A unit of density as a measure of sugar content of must, the unfermented liqueur from which wine is made. Named after Ferdinand Oechsle. |

## Used Codes

---

|     |  |
|-----|--|
| J28 | degree Rankine per hour  |
| J29 | degree Rankine per minute  |
| J30 | degree Rankine per second  |
| J31 | degree Twaddell<br>A unit of density for liquids that are heavier than water. 1 degree Twaddle represents a difference in specific gravity of 0.005. |
| J32 | micropoise   |
| J33 | microgram per kilogram   |
| J34 | microgram per cubic metre kelvin   |
| J35 | microgram per cubic metre bar  |
| J36 | microlitre per litre   |
| J38 | baud<br>A unit of signal transmission speed equal to one signalling event per second.  |
| J39 | British thermal unit (mean)  |
| J40 | British thermal unit (international table) foot per hour square foot degree Fahrenheit   |
| J41 | British thermal unit (international table) inch per hour square foot degree Fahrenheit   |
| J42 | British thermal unit (international table) inch per second square foot degree Fahrenheit   |
| J43 | British thermal unit (international table) per pound degree Fahrenheit   |
| J44 | British thermal unit (international table) per minute  |
| J45 | British thermal unit (international table) per second  |
| J46 | British thermal unit (thermochemical) foot per hour square foot degree Fahrenheit  |
| J47 | British thermal unit (thermochemical) per hour   |
| J48 | British thermal unit (thermochemical) inch per hour square foot degree Fahrenheit  |
| J49 | British thermal unit (thermochemical) inch per second square foot degree Fahrenheit  |
| J50 | British thermal unit (thermochemical) per pound degree Fahrenheit  |
| J51 | British thermal unit (thermochemical) per minute   |
| J52 | British thermal unit (thermochemical) per second   |
| J53 | coulomb square metre per kilogram  |
| J54 | megabaud<br>A unit of signal transmission speed equal to 10 to the power of 6 (1000000) signaling events per second.                                 |



**Used Codes**

|     |   |
|-----|---|
| J55 | watt second   |
| J56 | bar per bar   |
| J57 | barrel (UK petroleum)   |
| J58 | barrel (UK petroleum) per minute                              |
| J59 | barrel (UK petroleum) per day                                 |
| J60 | barrel (UK petroleum) per hour                                |
| J61 | barrel (UK petroleum) per second                              |
| J62 | barrel (US petroleum) per hour                                |
| J63 | barrel (US petroleum) per second                              |
| J64 | bushel (UK) per day   |
| J65 | bushel (UK) per hour  |
| J66 | bushel (UK) per minute  |
| J67 | bushel (UK) per second  |
| J68 | bushel (US dry) per day                                       |
| J69 | bushel (US dry) per hour                                      |
| J70 | bushel (US dry) per minute                                    |
| J71 | bushel (US dry) per second                                    |
| J72 | centinewton metre   |
| J73 | centipoise per kelvin   |
| J74 | centipoise per bar  |
| J75 | calorie (mean)  |
| J76 | calorie (international table) per gram degree Celsius         |
| J78 | calorie (thermochemical) per centimetre second degree Celsius |
| J79 | calorie (thermochemical) per gram degree Celsius              |
| J81 | calorie (thermochemical) per minute                           |
| J82 | calorie (thermochemical) per second                           |
| J83 | clo   |
| J84 | centimetre per second kelvin                                  |
| J85 | centimetre per second bar                                     |
| J87 | cubic centimetre per cubic metre                              |
| J89 | centimetre of mercury   |
| J90 | cubic decimetre per day                                       |
| J91 | cubic decimetre per cubic metre                               |

**Used Codes**

|     |   |
|-----|---|
| J92 | cubic decimetre per minute  |
| J93 | cubic decimetre per second  |
| J94 | dyne centimetre   |
| J95 | ounce (UK fluid) per day  |
| J96 | ounce (UK fluid) per hour   |
| J97 | ounce (UK fluid) per minute   |
| J98 | ounce (UK fluid) per second   |
| J99 | ounce (US fluid) per day  |
| JE  | joule per kelvin  |
| JK  | megajoule per kilogram  |
| JM  | megajoule per cubic metre   |
| JNT | pipeline joint<br>A count of the number of pipeline joints.   |
| JOU | joule   |
| JPS | hundred metre<br>A unit of count defining the number of 100 metre lengths.  |
| JWL | number of jewels<br>A unit of count defining the number of jewels (jewel: precious stone).  |
| K1  | kilowatt demand<br>A unit of measure defining the power load measured at predetermined intervals.                                       |
| K10 | ounce (US fluid) per hour   |
| K11 | ounce (US fluid) per minute   |
| K12 | ounce (US fluid) per second   |
| K13 | foot per degree Fahrenheit  |
| K14 | foot per hour   |
| K15 | foot pound-force per hour   |
| K16 | foot pound-force per minute   |
| K17 | foot per psi  |
| K18 | foot per second degree Fahrenheit   |
| K19 | foot per second psi   |
| K2  | kilovolt ampere reactive demand<br>A unit of measure defining the reactive power demand equal to one kilovolt ampere of reactive power. |
| K20 | reciprocal cubic foot   |

**Used Codes**

|     |  |
|-----|--|
| K21 | cubic foot per degree Fahrenheit   |
| K22 | cubic foot per day   |
| K23 | cubic foot per psi   |
| K24 | foot of water  |
| K25 | foot of mercury  |
| K26 | gallon (UK) per day  |
| K27 | gallon (UK) per hour   |
| K28 | gallon (UK) per second   |
| K3  | kilovolt ampere reactive hour<br>A unit of measure defining the accumulated reactive energy equal to one kilovolt ampere of reactive power per hour. |
| K30 | gallon (US liquid) per second  |
| K31 | gram-force per square centimetre   |
| K32 | gill (UK) per day  |
| K33 | gill (UK) per hour   |
| K34 | gill (UK) per minute   |
| K35 | gill (UK) per second   |
| K36 | gill (US) per day  |
| K37 | gill (US) per hour   |
| K38 | gill (US) per minute   |
| K39 | gill (US) per second   |
| K40 | standard acceleration of free fall   |
| K41 | grain per gallon (US)  |
| K42 | horsepower (boiler)  |
| K43 | horsepower (electric)  |
| K45 | inch per degree Fahrenheit   |
| K46 | inch per psi   |
| K47 | inch per second degree Fahrenheit  |
| K48 | inch per second psi  |
| K49 | reciprocal cubic inch  |
| K5  | kilovolt ampere (reactive)<br>Use kilovar (common code KVR)  |
| K50 | kilobaud<br>A unit of signal transmission speed equal to 10 to the power of 3 (1000) signaling events per second.                                    |

**Used Codes**

|     |   |
|-----|---|
| K51 | kilocalorie (mean)  |
| K52 | kilocalorie (international table) per hour metre degree Celsius |
| K53 | kilocalorie (thermochemical)                                    |
| K54 | kilocalorie (thermochemical) per minute                         |
| K55 | kilocalorie (thermochemical) per second                         |
| K58 | kilomole per hour   |
| K59 | kilomole per cubic metre kelvin                                 |
| K6  | kilolitre   |
| K60 | kilomole per cubic metre bar                                    |
| K61 | kilomole per minute   |
| K62 | litre per litre   |
| K63 | reciprocal litre  |
| K64 | pound (avoirdupois) per degree Fahrenheit                       |
| K65 | pound (avoirdupois) square foot                                 |
| K66 | pound (avoirdupois) per day                                     |
| K67 | pound per foot hour   |
| K68 | pound per foot second   |
| K69 | pound (avoirdupois) per cubic foot degree Fahrenheit            |
| K70 | pound (avoirdupois) per cubic foot psi                          |
| K71 | pound (avoirdupois) per gallon (UK)                             |
| K73 | pound (avoirdupois) per hour degree Fahrenheit                  |
| K74 | pound (avoirdupois) per hour psi                                |
| K75 | pound (avoirdupois) per cubic inch degree Fahrenheit            |
| K76 | pound (avoirdupois) per cubic inch psi                          |
| K77 | pound (avoirdupois) per psi                                     |
| K78 | pound (avoirdupois) per minute                                  |
| K79 | pound (avoirdupois) per minute degree Fahrenheit                |
| K80 | pound (avoirdupois) per minute psi                              |
| K81 | pound (avoirdupois) per second                                  |
| K82 | pound (avoirdupois) per second degree Fahrenheit                |
| K83 | pound (avoirdupois) per second psi                              |
| K84 | pound per cubic yard  |
| K85 | pound-force per square foot                                     |

## Used Codes

|     |  |
|-----|--|
| K86 | pound-force per square inch degree Fahrenheit  |
| K87 | psi cubic inch per second  |
| K88 | psi litre per second   |
| K89 | psi cubic metre per second   |
| K90 | psi cubic yard per second  |
| K91 | pound-force second per square foot   |
| K92 | pound-force second per square inch   |
| K93 | reciprocal psi   |
| K94 | quart (UK liquid) per day  |
| K95 | quart (UK liquid) per hour   |
| K96 | quart (UK liquid) per minute   |
| K97 | quart (UK liquid) per second   |
| K98 | quart (US liquid) per day  |
| K99 | quart (US liquid) per hour   |
| KA  | cake<br>A unit of count defining the number of cakes (cake: object shaped into a flat, compact mass).  |
| KAT | katal<br>A unit of catalytic activity defining the catalytic activity of enzymes and other catalysts.  |
| KB  | kilocharacter<br>A unit of information equal to 10 to the power of 3 (1000) characters.  |
| KBA | kilobar  |
| KCC | kilogram of choline chloride<br>A unit of mass equal to one thousand grams of choline chloride.  |
| KDW | kilogram drained net weight<br>A unit of mass defining the net number of kilograms of a product, disregarding the liquid content of the product. |
| KEL | kelvin<br>Refer ISO 80000-5 (Quantities and units — Part 5: Thermodynamics)  |
| KGM | kilogram<br>A unit of mass equal to one thousand grams.  |
| KGS | kilogram per second  |
| KHY | kilogram of hydrogen peroxide<br>A unit of mass equal to one thousand grams of hydrogen peroxide.  |
| KHZ | kilohertz  |

## Used Codes

---

|     |  |
|-----|--|
| KI  | kilogram per millimetre width  |
| KIC | kilogram, including container<br>A unit of mass defining the number of kilograms of a product, including its container.  |
| KIP | kilogram, including inner packaging<br>A unit of mass defining the number of kilograms of a product, including its inner packaging materials.  |
| KJ  | kilosegment<br>A unit of information equal to 10 to the power of 3 (1000) segments.  |
| KJO | kilojoule  |
| KL  | kilogram per metre   |
| KLK | lactic dry material percentage<br>A unit of proportion defining the percentage of dry lactic material in a product.  |
| KLX | kilolux<br>A unit of illuminance equal to one thousand lux.  |
| KMA | kilogram of methylamine<br>A unit of mass equal to one thousand grams of methylamine.  |
| KMH | kilometre per hour   |
| KMK | square kilometre   |
| KMQ | kilogram per cubic metre<br>A unit of weight expressed in kilograms of a substance that fills a volume of one cubic metre.   |
| KMT | kilometre  |
| KNI | kilogram of nitrogen<br>A unit of mass equal to one thousand grams of nitrogen.  |
| KNM | kilonewton per square metre<br>Pressure expressed in kN/m <sup>2</sup> .   |
| KNS | kilogram named substance<br>A unit of mass equal to one kilogram of a named substance.   |
| KNT | knot   |
| KO  | milliequivalence caustic potash per gram of product<br>A unit of count defining the number of milligrams of potassium hydroxide per gram of product as a measure of the concentration of potassium hydroxide in the product. |
| KPA | kilopascal   |
| KPH | kilogram of potassium hydroxide (caustic potash)<br>A unit of mass equal to one thousand grams of potassium hydroxide (caustic potash).  |

## Used Codes

|     |   |
|-----|---|
| KPO | kilogram of potassium oxide<br>A unit of mass equal to one thousand grams of potassium oxide.   |
| KPP | kilogram of phosphorus pentoxide (phosphoric anhydride)<br>A unit of mass equal to one thousand grams of phosphorus pentoxide phosphoric anhydride. |
| KR  | kiloroentgen  |
| KSD | kilogram of substance 90 % dry<br>A unit of mass equal to one thousand grams of a named substance that is 90% dry.                                  |
| KSH | kilogram of sodium hydroxide (caustic soda)<br>A unit of mass equal to one thousand grams of sodium hydroxide (caustic soda).                       |
| KT  | kit<br>A unit of count defining the number of kits (kit: tub, barrel or pail).  |
| KTN | kilotonne   |
| KUR | kilogram of uranium<br>A unit of mass equal to one thousand grams of uranium.   |
| KVA | kilovolt - ampere   |
| KVR | kilovar   |
| KVT | kilovolt  |
| KW  | kilogram per millimetre   |
| KWH | kilowatt hour   |
| KWN | Kilowatt hour per normalized cubic metre<br>Kilowatt hour per normalized cubic metre (temperature 0°C and pressure 1013.25 millibars ).             |
| KWO | kilogram of tungsten trioxide<br>A unit of mass equal to one thousand grams of tungsten trioxide.   |
| KWS | Kilowatt hour per standard cubic metre<br>Kilowatt hour per standard cubic metre (temperature 15°C and pressure 1013.25 millibars).                 |
| KWT | kilowatt  |
| KWY | kilowatt year<br>killowatt year   |
| KX  | millilitre per kilogram   |
| L10 | quart (US liquid) per minute  |
| L11 | quart (US liquid) per second  |
| L12 | metre per second kelvin   |

**Used Codes**

|     |  |
|-----|--|
| L13 | metre per second bar   |
| L14 | square metre hour degree Celsius per kilocalorie (international table) |
| L15 | millipascal second per kelvin  |
| L16 | millipascal second per bar   |
| L17 | milligram per cubic metre kelvin                                       |
| L18 | milligram per cubic metre bar  |
| L19 | millilitre per litre   |
| L2  | litre per minute   |
| L20 | reciprocal cubic millimetre  |
| L21 | cubic millimetre per cubic metre                                       |
| L23 | mole per hour  |
| L24 | mole per kilogram kelvin   |
| L25 | mole per kilogram bar  |
| L26 | mole per litre kelvin  |
| L27 | mole per litre bar   |
| L28 | mole per cubic metre kelvin  |
| L29 | mole per cubic metre bar   |
| L30 | mole per minute  |
| L31 | milliroentgen equivalent men   |
| L32 | nanogram per kilogram  |
| L33 | ounce (avoirdupois) per day  |
| L34 | ounce (avoirdupois) per hour   |
| L35 | ounce (avoirdupois) per minute   |
| L36 | ounce (avoirdupois) per second   |
| L37 | ounce (avoirdupois) per gallon (UK)                                    |
| L38 | ounce (avoirdupois) per gallon (US)                                    |
| L39 | ounce (avoirdupois) per cubic inch                                     |
| L40 | ounce (avoirdupois)-force  |
| L41 | ounce (avoirdupois)-force inch   |
| L42 | pico Siemens per metre   |
| L43 | peck (UK)  |
| L44 | peck (UK) per day  |
| L45 | peck (UK) per hour   |



**Used Codes**

---

|     |                              |
|-----|------------------------------|
| L46 | peck (UK) per minute         |
| L47 | peck (UK) per second         |
| L48 | peck (US dry) per day        |
| L49 | peck (US dry) per hour       |
| L50 | peck (US dry) per minute     |
| L51 | peck (US dry) per second     |
| L52 | psi per psi                  |
| L53 | pint (UK) per day            |
| L54 | pint (UK) per hour           |
| L55 | pint (UK) per minute         |
| L56 | pint (UK) per second         |
| L57 | pint (US liquid) per day     |
| L58 | pint (US liquid) per hour    |
| L59 | pint (US liquid) per minute  |
| L60 | pint (US liquid) per second  |
| L63 | slug per day                 |
| L64 | slug per foot second         |
| L65 | slug per cubic foot          |
| L66 | slug per hour                |
| L67 | slug per minute              |
| L68 | slug per second              |
| L69 | tonne per kelvin             |
| L70 | tonne per bar                |
| L71 | tonne per day                |
| L72 | tonne per day kelvin         |
| L73 | tonne per day bar            |
| L74 | tonne per hour kelvin        |
| L75 | tonne per hour bar           |
| L76 | tonne per cubic metre kelvin |
| L77 | tonne per cubic metre bar    |
| L78 | tonne per minute             |
| L79 | tonne per minute kelvin      |
| L80 | tonne per minute bar         |

**Used Codes**

|     |  |
|-----|--|
| L81 | tonne per second   |
| L82 | tonne per second kelvin  |
| L83 | tonne per second bar   |
| L84 | ton (UK shipping)  |
| L85 | ton long per day   |
| L86 | ton (US shipping)  |
| L87 | ton short per degree Fahrenheit  |
| L88 | ton short per day  |
| L89 | ton short per hour degree Fahrenheit   |
| L90 | ton short per hour psi   |
| L91 | ton short per psi  |
| L92 | ton (UK long) per cubic yard   |
| L93 | ton (US short) per cubic yard  |
| L94 | ton-force (US short)   |
| L95 | common year  |
| L96 | sidereal year  |
| L98 | yard per degree Fahrenheit   |
| L99 | yard per psi   |
| LA  | pound per cubic inch   |
| LAC | lactose excess percentage<br>A unit of proportion defining the percentage of lactose in a product that exceeds a defined percentage level. |
| LBR | pound  |
| LBT | troy pound (US)  |
| LD  | litre per day  |
| LEF | leaf<br>A unit of count defining the number of leaves.   |
| LF  | linear foot<br>A unit of count defining the number of feet (12-inch) in length of a uniform width object.                                  |
| LH  | labour hour<br>A unit of time defining the number of labour hours.   |
| LK  | link<br>A unit of distance equal to 0.01 chain.  |

**Used Codes**

|     |   |
|-----|---|
| LM  | linear metre<br>A unit of count defining the number of metres in length of a uniform width object.                |
| LN  | length<br>A unit of distance defining the linear extent of an item measured from end to end.                      |
| LO  | lot [unit of procurement]<br>A unit of count defining the number of lots (lot: a collection of associated items). |
| LP  | liquid pound<br>A unit of mass defining the number of pounds of a liquid substance.                               |
| LPA | litre of pure alcohol<br>A unit of volume equal to one litre of pure alcohol.                                     |
| LR  | layer<br>A unit of count defining the number of layers.   |
| LS  | lump sum<br>A unit of count defining the number of whole or a complete monetary amounts.                          |
| LTN | ton (UK) or long ton (US)<br>Synonym: gross ton (2240 lb)   |
| LTR | litre   |
| LUB | metric ton, lubricating oil<br>A unit of mass defining the number of metric tons of lubricating oil.              |
| LUM | lumen   |
| LUX | lux   |
| LY  | linear yard<br>A unit of count defining the number of 36-inch units in length of a uniform width object.          |
| M1  | milligram per litre   |
| M10 | reciprocal cubic yard   |
| M11 | cubic yard per degree Fahrenheit  |
| M12 | cubic yard per day  |
| M13 | cubic yard per hour   |
| M14 | cubic yard per psi  |
| M15 | cubic yard per minute   |
| M16 | cubic yard per second   |
| M17 | kilohertz metre   |
| M18 | gigahertz metre   |

## Used Codes

---

|     |   |
|-----|---|
| M19 | Beaufort<br>An empirical measure for describing wind speed based mainly on observed sea conditions. The Beaufort scale indicates the wind speed by numbers that typically range from 0 for calm, to 12 for hurricane. |
| M20 | reciprocal megakelvin or megakelvin to the power minus one  |
| M21 | reciprocal kilovolt - ampere reciprocal hour  |
| M22 | millilitre per square centimetre minute   |
| M23 | newton per centimetre   |
| M24 | ohm kilometre   |
| M25 | percent per degree Celsius<br>A unit of proportion, equal to 0.01, in relation to a temperature of one degree.  |
| M26 | gigaohm per metre   |
| M27 | megahertz metre   |
| M29 | kilogram per kilogram   |
| M30 | reciprocal volt - ampere reciprocal second  |
| M31 | kilogram per kilometre  |
| M32 | pascal second per litre   |
| M33 | millimole per litre   |
| M34 | newton metre per square metre   |
| M35 | millivolt - ampere  |
| M36 | 30-day month<br>A unit of count defining the number of months expressed in multiples of 30 days, one day equals 24 hours.   |
| M37 | actual/360<br>A unit of count defining the number of years expressed in multiples of 360 days, one day equals 24 hours.   |
| M38 | kilometre per second squared<br>1000-fold of the SI base unit metre divided by the power of the SI base unit second by exponent 2.  |
| M39 | centimetre per second squared<br>0,01-fold of the SI base unit metre divided by the power of the SI base unit second by exponent 2.   |
| M4  | monetary value<br>A unit of measure expressed as a monetary amount.   |
| M40 | yard per second squared<br>Unit of the length according to the Anglo-American and Imperial system of units divided by the power of the SI base unit second by exponent 2.   |

## Used Codes

---

|     |   |
|-----|---|
| M41 | millimetre per second squared<br>0,001-fold of the SI base unit metre divided by the power of the SI base unit second by exponent 2.                                  |
| M42 | mile (statute mile) per second squared<br>Unit of the length according to the Imperial system of units divided by the power of the SI base unit second by exponent 2. |
| M43 | mil<br>Unit to indicate an angle at military zone, equal to the 6400th part of the full circle of the 360° or 2·p·rad.  |
| M44 | revolution<br>Unit to identify an angle of the full circle of 360° or 2·p·rad (Refer ISO/TC12 SI Guide).  |
| M45 | degree [unit of angle] per second squared<br>360 part of a full circle divided by the power of the SI base unit second and the exponent 2.                            |
| M46 | revolution per minute<br>Unit of the angular velocity.  |
| M47 | circular mil<br>Unit of an area, of which the size is given by a diameter of length of 1 mm (0,001 in) based on the formula: $area = p \cdot (diameter/2)^2$ .        |
| M48 | square mile (based on U.S. survey foot)<br>Unit of the area, which is mainly common in the agriculture and forestry.  |
| M49 | chain (based on U.S. survey foot)<br>Unit of the length according the Anglo-American system of units.   |
| M5  | microcurie  |
| M50 | furlong<br>Unit commonly used in Great Britain at rural distances: 1 furlong = 40 rods = 10 chains (UK) = 1/8 mile = 1/10 furlong = 220 yards = 660 foot.             |
| M51 | foot (U.S. survey)<br>Unit commonly used in the United States for ordnance survey.  |
| M52 | mile (based on U.S. survey foot)<br>Unit commonly used in the United States for ordnance survey.  |
| M53 | metre per pascal<br>SI base unit metre divided by the derived SI unit pascal.   |
| M55 | metre per radiant<br>Unit of the translation factor for implementation from rotation to linear movement.  |
| M56 | shake<br>Unit for a very short period.  |

**Used Codes**

|     |   |
|-----|---|
| M57 | mile per minute<br>Unit of velocity from the Imperial system of units.  |
| M58 | mile per second<br>Unit of the velocity from the Imperial system of units.  |
| M59 | metre per second pascal<br>SI base unit meter divided by the product of SI base unit second and the derived SI unit pascal.                     |
| M60 | metre per hour<br>SI base unit metre divided by the unit hour.  |
| M61 | inch per year<br>Unit of the length according to the Anglo-American and Imperial system of units divided by the unit common year with 365 days. |
| M62 | kilometre per second<br>1000-fold of the SI base unit metre divided by the SI base unit second.   |
| M63 | inch per minute<br>Unit inch according to the Anglo-American and Imperial system of units divided by the unit minute.                           |
| M64 | yard per second<br>Unit yard according to the Anglo-American and Imperial system of units divided by the SI base unit second.                   |
| M65 | yard per minute<br>Unit yard according to the Anglo-American and Imperial system of units divided by the unit minute.                           |
| M66 | yard per hour<br>Unit yard according to the Anglo-American and Imperial system of units divided by the unit hour.                               |
| M67 | acre-foot (based on U.S. survey foot)<br>Unit of the volume, which is used in the United States to measure/gauge the capacity of reservoirs.    |
| M68 | cord (128 ft <sup>3</sup> )<br>Traditional unit of the volume of stacked firewood which has been measured with a cord.                          |
| M69 | cubic mile (UK statute)<br>Unit of volume according to the Imperial system of units.  |
| M7  | micro-inch  |
| M70 | ton, register<br>Traditional unit of the cargo capacity.  |
| M71 | cubic metre per pascal<br>Power of the SI base unit meter by exponent 3 divided by the derived SI base unit pascal.                             |

## Used Codes

|     |   |
|-----|---|
| M72 | bel<br>Logarithmic relationship to base 10.   |
| M73 | kilogram per cubic metre pascal<br>SI base unit kilogram divided by the product of the power of the SI base unit metre with exponent 3 and the derived SI unit pascal.  |
| M74 | kilogram per pascal<br>SI base unit kilogram divided by the derived SI unit pascal.   |
| M75 | kilopound-force<br>1000-fold of the unit of the force pound-force (lbf) according to the Anglo-American system of units with the relationship.  |
| M76 | poundal<br>Non SI-conforming unit of the power, which corresponds to a mass of a pound multiplied with the acceleration of a foot per square second.  |
| M77 | kilogram metre per second squared<br>Product of the SI base unit kilogram and the SI base unit metre divided by the power of the SI base unit second by exponent 2.   |
| M78 | pond<br>0,001-fold of the unit of the weight, defined as a mass of 1 kg which finds out about a weight strength from 1 kp by the gravitational force at sea level which corresponds to a strength of 9,806 65 newton.   |
| M79 | square foot per hour<br>Power of the unit foot according to the Anglo-American and Imperial system of units by exponent 2 divided by the unit of time hour.   |
| M80 | stokes per pascal<br>CGS (Centimetre-Gram-Second system) unit stokes divided by the derived SI unit pascal.   |
| M81 | square centimetre per second<br>0,000 1-fold of the power of the SI base unit metre by exponent 2 divided by the SI base unit second.   |
| M82 | square metre per second pascal<br>Power of the SI base unit metre with the exponent 2 divided by the SI base unit second and the derived SI unit pascal.  |
| M83 | denier<br>Traditional unit for the indication of the linear mass of textile fibers and yarns.   |
| M84 | pound per yard<br>Unit for linear mass according to avoirdupois system of units.  |
| M85 | ton, assay<br>Non SI-conforming unit of the mass used in the mineralogy to determine the concentration of precious metals in ore according to the mass of the precious metal in milligrams in a sample of the mass of an assay sound (number of troy ounces in a short ton (1 000 lb)). |

## Used Codes

|     |   |
|-----|---|
| M86 | pfund<br>Outdated unit of the mass used in Germany.   |
| M87 | kilogram per second pascal<br>SI base unit kilogram divided by the product of the SI base unit second and the derived SI unit pascal.   |
| M88 | tonne per month<br>Unit tonne divided by the unit month.  |
| M89 | tonne per year<br>Unit tonne divided by the unit year with 365 days.  |
| M9  | million Btu per 1000 cubic foot   |
| M90 | kilopound per hour<br>1000-fold of the unit of the mass avoirdupois pound according to the avoirdupois unit system divided by the unit hour.  |
| M91 | pound per pound<br>Proportion of the mass consisting of the avoirdupois pound according to the avoirdupois unit system divided by the avoirdupois pound according to the avoirdupois unit system. |
| M92 | pound-force foot<br>Product of the unit pound-force according to the Anglo-American system of units and the unit foot according to the Anglo-American and the Imperial system of units.           |
| M93 | newton metre per radian<br>Product of the derived SI unit newton and the SI base unit metre divided by the unit radian.   |
| M94 | kilogram metre<br>Unit of imbalance as a product of the SI base unit kilogram and the SI base unit metre.   |
| M95 | poundal foot<br>Product of the non SI-conforming unit of the force poundal and the unit foot according to the Anglo-American and Imperial system of units .                                       |
| M96 | poundal inch<br>Product of the non SI-conforming unit of the force poundal and the unit inch according to the Anglo-American and Imperial system of units .                                       |
| M97 | dyne metre<br>CGS (Centimetre-Gram-Second system) unit of the rotational moment.  |
| M98 | kilogram centimetre per second<br>Product of the SI base unit kilogram and the 0,01-fold of the SI base unit metre divided by the SI base unit second.  |
| M99 | gram centimetre per second<br>Product of the 0,001-fold of the SI base unit kilogram and the 0,01-fold of the SI base unit metre divided by the SI base unit second.                              |



## Used Codes

---

|     |   |
|-----|---|
| MAH | megavolt ampere reactive hour<br>A unit of electrical reactive power defining the total amount of reactive power across a power system.   |
| MAL | megalitre   |
| MAM | megametre   |
| MAR | megavar<br>A unit of electrical reactive power represented by a current of one thousand amperes flowing due a potential difference of one thousand volts where the sine of the phase angle between them is 1. |
| MAW | megawatt<br>A unit of power defining the rate of energy transferred or consumed when a current of 1000 amperes flows due to a potential of 1000 volts at unity power factor.                                  |
| MBE | thousand standard brick equivalent<br>A unit of count defining the number of one thousand brick equivalent units.   |
| MBF | thousand board foot<br>A unit of volume equal to one thousand board foot.   |
| MBR | millibar  |
| MC  | microgram   |
| MCU | millicurie  |
| MD  | air dry metric ton<br>A unit of count defining the number of metric tons of a product, disregarding the water content of the product.   |
| MGM | milligram   |
| MHZ | megahertz   |
| MIK | square mile (statute mile)  |
| MIL | thousand  |
| MIN | minute [unit of time]   |
| MIO | million   |
| MIU | million international unit<br>A unit of count defining the number of international units in multiples of 10 to the power of 6.  |
| MKD | Square Metre Day<br>Unit for measuring physical dimensions and time as required by DIN 18451  |
| MKM | Square Metre Month<br>Unit for measuring physical dimensions and time as required by DIN 18451  |
| MKW | Square Metre Week<br>Unit for measuring physical dimensions and time as required by DIN 18451   |

## Used Codes

---

|     |   |
|-----|---|
| MLD | milliard<br>Synonym: billion (US)   |
| MLT | millilitre  |
| MMK | square millimetre   |
| MMQ | cubic millimetre  |
| MMT | millimetre  |
| MND | kilogram, dry weight<br>A unit of mass defining the number of kilograms of a product, disregarding the water content of the product.              |
| MNJ | Mega Joule per Normalised cubic Metre<br>Energy in Mega Joules per normalised cubic metre for gas (temperature 0°C and pressure 101325 millibars) |
| MON | month<br>Unit of time equal to 1/12 of a year of 365,25 days.   |
| MPA | megapascal  |
| MQD | Cubic Metre Day<br>Unit for measuring physical dimensions and time as required by DIN 18451   |
| MQH | cubic metre per hour  |
| MQM | Cubic Metre Month<br>Unit for measuring physical dimensions and time as required by DIN 18451   |
| MQS | cubic metre per second  |
| MQW | Cubic Metre Week<br>Unit for measuring physical dimensions and time as required by DIN 18451  |
| MRD | Metre Day<br>Unit for measuring physical dimensions and time as required by DIN 18451   |
| MRM | Metre Month<br>Unit for measuring physical dimensions and time as required by DIN 18451   |
| MRW | Metre Week<br>Unit for measuring physical dimensions and time, as required by DIN 18451   |
| MSK | metre per second squared  |
| MTK | square metre  |
| MTQ | cubic metre<br>Synonym: metre cubed   |
| MTR | metre   |
| MTS | metre per second  |

## Used Codes

|     |  |
|-----|--|
| MTZ | milihertz<br>A unit of frequency equal to 0.001 cycle per second   |
| MVA | megavolt - ampere  |
| MWH | megawatt hour (1000 kW.h)<br>A unit of power defining the total amount of bulk energy transferred or consumed.   |
| N1  | pen calorie<br>A unit of count defining the number of calories prescribed daily for parenteral/ enteral therapy.   |
| N10 | pound foot per second<br>Product of the avoirdupois pound according to the avoirdupois unit system and the unit foot according to the Anglo-American and Imperial system of units divided by the SI base unit second.  |
| N11 | pound inch per second<br>Product of the avoirdupois pound according to the avoirdupois unit system and the unit inch according to the Anglo-American and Imperial system of units divided by the SI base unit second.  |
| N12 | Pferdestaerke<br>Obsolete unit of the power relating to DIN 1301-3:1979: 1 PS = 735,498 75 W.  |
| N13 | centimetre of mercury (0 °C)<br>Non SI-conforming unit of pressure, at which a value of 1 cmHg meets the static pressure, which is generated by a mercury at a temperature of 0 °C with a height of 1 centimetre .   |
| N14 | centimetre of water (4 °C)<br>Non SI-conforming unit of pressure, at which a value of 1 cmH <sub>2</sub> O meets the static pressure, which is generated by a head of water at a temperature of 4 °C with a height of 1 centimetre .   |
| N15 | foot of water (39.2 °F)<br>Non SI-conforming unit of pressure according to the Anglo-American and Imperial system for units, whereas the value of 1 ftH <sub>2</sub> O is equivalent to the static pressure, which is generated by a head of water at a temperature 39,2°F with a height of 1 foot . |
| N16 | inch of mercury (32 °F)<br>Non SI-conforming unit of pressure according to the Anglo-American and Imperial system for units, whereas the value of 1 inHg meets the static pressure, which is generated by a mercury at a temperature of 32°F with a height of 1 inch.                                |
| N17 | inch of mercury (60 °F)<br>Non SI-conforming unit of pressure according to the Anglo-American and Imperial system for units, whereas the value of 1 inHg meets the static pressure, which is generated by a mercury at a temperature of 60°F with a height of 1 inch.                                |

## Used Codes

---

|     |  |
|-----|--|
| N18 | <p>inch of water (39.2 °F)</p> <p>Non SI-conforming unit of pressure according to the Anglo-American and Imperial system for units, whereas the value of 1 inH2O meets the static pressure, which is generated by a head of water at a temperature of 39,2°F with a height of 1 inch .</p> |
| N19 | <p>inch of water (60 °F)</p> <p>Non SI-conforming unit of pressure according to the Anglo-American and Imperial system for units, whereas the value of 1 inH2O meets the static pressure, which is generated by a head of water at a temperature of 60°F with a height of 1 inch .</p>     |
| N20 | <p>kip per square inch</p> <p>Non SI-conforming unit of the pressure according to the Anglo-American system of units as the 1000-fold of the unit of the force pound-force divided by the power of the unit inch by exponent 2.</p>  |
| N21 | <p>poundal per square foot</p> <p>Non SI-conforming unit of pressure by the Imperial system of units according to NIST: <math>1 \text{ pdl/ft}^2 = 1,488 \text{ 164 Pa}</math>.</p>  |
| N22 | <p>ounce (avoirdupois) per square inch</p> <p>Unit of the surface specific mass (avoirdupois ounce according to the avoirdupois system of units according to the surface square inch according to the Anglo-American and Imperial system of units).</p>                                    |
| N23 | <p>conventional metre of water</p> <p>Not SI-conforming unit of pressure, whereas a value of 1 mH2O is equivalent to the static pressure, which is produced by one metre high water column .</p>   |
| N24 | <p>gram per square millimetre</p> <p>0,001-fold of the SI base unit kilogram divided by the 0.000 001-fold of the power of the SI base unit meter by exponent 2.</p>   |
| N25 | <p>pound per square yard</p> <p>Unit for areal-related mass as a unit pound according to the avoirdupois unit system divided by the power of the unit yard according to the Anglo-American and Imperial system of units with exponent 2.</p>   |
| N26 | <p>poundal per square inch</p> <p>Non SI-conforming unit of the pressure according to the Imperial system of units (poundal by square inch).</p>   |
| N27 | <p>foot to the fourth power</p> <p>Power of the unit foot according to the Anglo-American and Imperial system of units by exponent 4 according to NIST: <math>1 \text{ ft}^4 = 8,630 \text{ 975 m}^4</math>.</p>   |
| N28 | <p>cubic decimetre per kilogram</p> <p>0,001 fold of the power of the SI base unit meter by exponent 3 divided by the SI based unit kilogram.</p>  |

## Used Codes

---

|     |   |
|-----|---|
| N29 | cubic foot per pound<br>Power of the unit foot according to the Anglo-American and Imperial system of units by exponent 3 divided by the unit avoirdupois pound according to the avoirdupois unit system. |
| N3  | print point   |
| N30 | cubic inch per pound<br>Power of the unit inch according to the Anglo-American and Imperial system of units by exponent 3 divided by the avoirdupois pound according to the avoirdupois unit system .     |
| N31 | kilonewton per metre<br>1000-fold of the derived SI unit newton divided by the SI base unit metre.  |
| N32 | poundal per inch<br>Non SI-conforming unit of the surface tension according to the Imperial unit system as quotient poundal by inch.  |
| N33 | pound-force per yard<br>Unit of force per unit length based on the Anglo-American system of units.  |
| N34 | poundal second per square foot<br>Non SI-conforming unit of viscosity.  |
| N35 | poise per pascal<br>CGS (Centimetre-Gram-Second system) unit poise divided by the derived SI unit pascal.   |
| N36 | newton second per square metre<br>Unit of the dynamic viscosity as a product of unit of the pressure (newton by square metre) multiplied with the SI base unit second.                                    |
| N37 | kilogram per metre second<br>Unit of the dynamic viscosity as a quotient SI base unit kilogram divided by the SI base unit metre and by the SI base unit second.  |
| N38 | kilogram per metre minute<br>Unit of the dynamic viscosity as a quotient SI base unit kilogram divided by the SI base unit metre and by the unit minute.  |
| N39 | kilogram per metre day<br>Unit of the dynamic viscosity as a quotient SI base unit kilogram divided by the SI base unit metre and by the unit day.  |
| N40 | kilogram per metre hour<br>Unit of the dynamic viscosity as a quotient SI base unit kilogram divided by the SI base unit metre and by the unit hour.  |
| N41 | gram per centimetre second<br>Unit of the dynamic viscosity as a quotient of the 0,001-fold of the SI base unit kilogram divided by the 0,01-fold of the SI base unit metre and SI base unit second.      |

**Used Codes**

|     |   |
|-----|---|
| N42 | poundal second per square inch<br>Non SI-conforming unit of dynamic viscosity according to the Imperial system of units as product unit of the pressure (poundal by square inch) multiplied by the SI base unit second. |
| N43 | pound per foot minute<br>Unit of the dynamic viscosity according to the Anglo-American unit system.   |
| N44 | pound per foot day<br>Unit of the dynamic viscosity according to the Anglo-American unit system.  |
| N45 | cubic metre per second pascal<br>Power of the SI base unit meter by exponent 3 divided by the product of the SI base unit second and the derived SI base unit pascal.   |
| N46 | foot poundal<br>Unit of the work (force-path).  |
| N47 | inch poundal<br>Unit of work (force multiplied by path) according to the Imperial system of units as a product unit inch multiplied by poundal.   |
| N48 | watt per square centimetre<br>Derived SI unit watt divided by the power of the 0,01-fold the SI base unit metre by exponent 2.  |
| N49 | watt per square inch<br>Derived SI unit watt divided by the power of the unit inch according to the Anglo-American and Imperial system of units by exponent 2.  |
| N50 | British thermal unit (international table) per square foot hour<br>Unit of the surface heat flux according to the Imperial system of units.   |
| N51 | British thermal unit (thermochemical) per square foot hour<br>Unit of the surface heat flux according to the Imperial system of units.  |
| N52 | British thermal unit (thermochemical) per square foot minute<br>Unit of the surface heat flux according to the Imperial system of units.  |
| N53 | British thermal unit (international table) per square foot second<br>Unit of the surface heat flux according to the Imperial system of units.   |
| N54 | British thermal unit (thermochemical) per square foot second<br>Unit of the surface heat flux according to the Imperial system of units.  |
| N55 | British thermal unit (international table) per square inch second<br>Unit of the surface heat flux according to the Imperial system of units.   |
| N56 | calorie (thermochemical) per square centimetre minute<br>Unit of the surface heat flux according to the Imperial system of units.   |
| N57 | calorie (thermochemical) per square centimetre second<br>Unit of the surface heat flux according to the Imperial system of units.   |

## Used Codes

|     |   |
|-----|---|
| N58 | British thermal unit (international table) per cubic foot<br>Unit of the energy density according to the Imperial system of units.  |
| N59 | British thermal unit (thermochemical) per cubic foot<br>Unit of the energy density according to the Imperial system of units.   |
| N60 | British thermal unit (international table) per degree Fahrenheit<br>Unit of the heat capacity according to the Imperial system of units.  |
| N61 | British thermal unit (thermochemical) per degree Fahrenheit<br>Unit of the heat capacity according to the Imperial system of units.   |
| N62 | British thermal unit (international table) per degree Rankine<br>Unit of the heat capacity according to the Imperial system of units.   |
| N63 | British thermal unit (thermochemical) per degree Rankine<br>Unit of the heat capacity according to the Imperial system of units.  |
| N64 | British thermal unit (thermochemical) per pound degree Rankine<br>Unit of the heat capacity (British thermal unit according to the international table according to the Rankine degree) according to the Imperial system of units divided by the unit avoirdupois pound according to the avoirdupois system of units. |
| N65 | kilocalorie (international table) per gram kelvin<br>Unit of the mass-related heat capacity as quotient 1000-fold of the calorie (international table) divided by the product of the 0,001-fold of the SI base units kilogram and kelvin.   |
| N66 | British thermal unit (39 °F)<br>Unit of heat energy according to the Imperial system of units in a reference temperature of 39 °F.  |
| N67 | British thermal unit (59 °F)<br>Unit of heat energy according to the Imperial system of units in a reference temperature of 59 °F.  |
| N68 | British thermal unit (60 °F)<br>Unit of head energy according to the Imperial system of units at a reference temperature of 60 °F.  |
| N69 | calorie (20 °C)<br>Unit for quantity of heat, which is to be required for 1 g air free water at a constant pressure from 101,325 kPa, to warm up the pressure of standard atmosphere at sea level, from 19,5 °C on 20,5 °C.   |
| N70 | quad (1015 BtuIT)<br>Unit of heat energy according to the imperial system of units.   |
| N71 | therm (EC)<br>Unit of heat energy in commercial use, within the EU defined: 1 thm (EC) = 100 000 BtuIT.   |

## Used Codes

---

|     |   |
|-----|---|
| N72 | therm (U.S.)<br>Unit of heat energy in commercial use.  |
| N73 | British thermal unit (thermochemical) per pound<br>Unit of the heat energy according to the Imperial system of units divided the unit avoirdupois pound according to the avoirdupois system of units. |
| N74 | British thermal unit (international table) per hour square foot degree Fahrenheit<br>Unit of the heat transition coefficient according to the Imperial system of units.                               |
| N75 | British thermal unit (thermochemical) per hour square foot degree Fahrenheit<br>Unit of the heat transition coefficient according to the imperial system of units.                                    |
| N76 | British thermal unit (international table) per second square foot degree Fahrenheit<br>Unit of the heat transition coefficient according to the imperial system of units.                             |
| N77 | British thermal unit (thermochemical) per second square foot degree Fahrenheit<br>Unit of the heat transition coefficient according to the imperial system of units.                                  |
| N78 | kilowatt per square metre kelvin<br>1000-fold of the derived SI unit watt divided by the product of the power of the SI base unit metre by exponent 2 and the SI base unit kelvin.                    |
| N79 | kelvin per pascal<br>SI base unit kelvin divided by the derived SI unit pascal.   |
| N80 | watt per metre degree Celsius<br>Derived SI unit watt divided by the product of the SI base unit metre and the unit for temperature degree Celsius.   |
| N81 | kilowatt per metre kelvin<br>1000-fold of the derived SI unit watt divided by the product of the SI base unit metre and the SI base unit kelvin.  |
| N82 | kilowatt per metre degree Celsius<br>1000-fold of the derived SI unit watt divided by the product of the SI base unit metre and the unit for temperature degree Celsius.                              |
| N83 | metre per degree Celcius metre<br>SI base unit metre divided by the product of the unit degree Celsius and the SI base unit metre.  |
| N84 | degree Fahrenheit hour per British thermal unit (international table)<br>Non SI-conforming unit of the thermal resistance according to the Imperial system of units.                                  |
| N85 | degree Fahrenheit hour per British thermal unit (thermochemical)<br>Non SI-conforming unit of the thermal resistance according to the Imperial system of units.                                       |



## Used Codes

---

|     |  |
|-----|--|
| N86 | degree Fahrenheit second per British thermal unit (international table)<br>Non SI-conforming unit of the thermal resistance according to the Imperial system of units.   |
| N87 | degree Fahrenheit second per British thermal unit (thermochemical)<br>Non SI-conforming unit of the thermal resistance according to the Imperial system of units.  |
| N88 | degree Fahrenheit hour square foot per British thermal unit (international table) inch<br>Unit of specific thermal resistance according to the Imperial system of units.   |
| N89 | degree Fahrenheit hour square foot per British thermal unit (thermochemical) inch<br>Unit of specific thermal resistance according to the Imperial system of units.  |
| N90 | kilofarad<br>1000-fold of the derived SI unit farad.   |
| N91 | reciprocal joule<br>Reciprocal of the derived SI unit joule.   |
| N92 | picosiemens<br>0,000 000 000 001-fold of the derived SI unit siemens.  |
| N93 | ampere per pascal<br>SI base unit ampere divided by the derived SI unit pascal.  |
| N94 | franklin<br>CGS (Centimetre-Gram-Second system) unit of the electrical charge, where the charge amounts to exactly 1 Fr where the force of 1 dyn on an equal load is performed at a distance of 1 cm.                        |
| N95 | ampere minute<br>A unit of electric charge defining the amount of charge accumulated by a steady flow of one ampere for one minute..   |
| N96 | biot<br>CGS (Centimetre-Gram-Second system) unit of the electric power which is defined by a force of 2 dyn per cm between two parallel conductors of infinite length with negligible cross-section in the distance of 1 cm. |
| N97 | gilbert<br>CGS (Centimetre-Gram-Second system) unit of the magnetomotive force, which is defined by the work to increase the magnetic potential of a positive common pol with 1 erg.   |
| N98 | volt per pascal<br>Derived SI unit volt divided by the derived SI unit pascal.   |
| N99 | picovolt<br>0,000 000 000 001-fold of the derived SI unit volt.  |
| NA  | milligram per kilogram   |

**Used Codes**

|     |  |
|-----|--|
| NAR | number of articles<br>A unit of count defining the number of articles (article: item).   |
| NCL | number of cells<br>A unit of count defining the number of cells (cell: an enclosed or circumscribed space, cavity, or volume).   |
| NEW | newton   |
| NF  | message<br>A unit of count defining the number of messages.  |
| NIL | nil<br>A unit of count defining the number of instances of nothing.  |
| NIU | number of international units<br>A unit of count defining the number of international units.   |
| NL  | load<br>A unit of volume defining the number of loads (load: a quantity of items carried or processed at one time).  |
| NM3 | Normalised cubic metre<br>Normalised cubic metre (temperature 0°C and pressure 1013.25 millibars )   |
| NMI | nautical mile  |
| NMP | number of packs<br>A unit of count defining the number of packs (pack: a collection of objects packaged together).   |
| NPR | number of pairs<br>A unit of count defining the number of pairs (pair: item described by two's).   |
| NPT | number of parts<br>A unit of count defining the number of parts (part: component of a larger entity).  |
| NQ  | mho  |
| NR  | micromho   |
| NT  | net ton<br>A unit of mass equal to 2000 pounds, see ton (US). Refer International Convention on tonnage measurement of Ships.  |
| NTT | net register ton<br>A unit of mass equal to the total cubic footage after deductions, where 1 register ton is equal to 100 cubic feet. Refer International Convention on tonnage measurement of Ships. |
| NTU | Nephelometric turbidity unit<br>Nephelometric turbidity unit (NTU) is used for water turbidity level evaluation  |
| NU  | newton metre   |

## Used Codes

---

|     |  |
|-----|--|
| NX  | part per thousand<br>A unit of proportion equal to 10 to the power of -3.<br>Synonym: per mille  |
| OA  | panel<br>A unit of count defining the number of panels (panel: a distinct, usually rectangular, section of a surface).   |
| ODE | ozone depletion equivalent<br>A unit of mass defining the ozone depletion potential in kilograms of a product relative to the calculated depletion for the reference substance, Trichlorofluoromethane (CFC-11). |
| ODG | ODS Grams<br>A unit of measure calculated by multiplying the mass of the substance in grams and the ozone-depleting potential for the substance.   |
| ODK | ODS Kilograms<br>A unit of measure calculated by multiplying the mass of the substance in kilograms and the ozone-depleting potential for the substance.   |
| ODM | ODS Milligrams<br>A unit of measure calculated by multiplying the mass of the substance in milligrams and the ozone-depleting potential for the substance.   |
| OHM | ohm  |
| ON  | ounce per square yard  |
| ONZ | ounce (avoirdupois)  |
| OPM | oscillations per minute<br>The number of oscillations per minute.  |
| OT  | overtime hour<br>A unit of time defining the number of overtime hours.   |
| OZ  | ounce av<br>A unit of measure equal to 1/16 of a pound or about 28.3495 grams (av = avoirdupois). Use ounce (common code ONZ).   |
| OZA | fluid ounce (US)   |
| OZI | fluid ounce (UK)   |
| P1  | percent<br>A unit of proportion equal to 0.01.   |
| P10 | coulomb per metre<br>Derived SI unit coulomb divided by the SI base unit metre.  |
| P11 | kiloweber<br>1000 fold of the derived SI unit weber.   |
| P12 | gamma<br>Unit of magnetic flow density.  |

**Used Codes**

|     |   |
|-----|---|
| P13 | kilotesla<br>1000-fold of the derived SI unit tesla.  |
| P14 | joule per second<br>Quotient of the derived SI unit joule divided by the SI base unit second.   |
| P15 | joule per minute<br>Quotient from the derived SI unit joule divided by the unit minute.   |
| P16 | joule per hour<br>Quotient from the derived SI unit joule divided by the unit hour.   |
| P17 | joule per day<br>Quotient from the derived SI unit joule divided by the unit day.   |
| P18 | kilojoule per second<br>Quotient from the 1000-fold of the derived SI unit joule divided by the SI base unit second.  |
| P19 | kilojoule per minute<br>Quotient from the 1000-fold of the derived SI unit joule divided by the unit minute.  |
| P2  | pound per foot  |
| P20 | kilojoule per hour<br>Quotient from the 1000-fold of the derived SI unit joule divided by the unit hour.  |
| P21 | kilojoule per day<br>Quotient from the 1000-fold of the derived SI unit joule divided by the unit day.  |
| P22 | nanoohm<br>0,000 000 001-fold of the derived SI unit ohm.   |
| P23 | ohm circular-mil per foot<br>Unit of resistivity.   |
| P24 | kilohenry<br>1000-fold of the derived SI unit henry.  |
| P25 | lumen per square foot<br>Derived SI unit lumen divided by the power of the unit foot according to the Anglo-American and Imperial system of units by exponent 2.  |
| P26 | phot<br>CGS (Centimetre-Gram-Second system) unit of luminance, defined as lumen by square centimetre.   |
| P27 | footcandle<br>Non SI conform traditional unit, defined as density of light which impinges on a surface which has a distance of one foot from a light source, which shines with an intensity of an international candle. |

## Used Codes

---

|     |   |
|-----|---|
| P28 | candela per square inch<br>SI base unit candela divided by the power of unit inch according to the Anglo-American and Imperial system of units by exponent 2.                           |
| P29 | footlambert<br>Unit of the luminance according to the Anglo-American system of units, defined as emitted or reflected luminance of a lm/ft <sup>2</sup> .                               |
| P30 | lambert<br>CGS (Centimetre-Gram-Second system) unit of luminance, defined as the emitted or reflected luminance by one lumen per square centimetre.                                     |
| P31 | stilb<br>CGS (Centimetre-Gram-Second system) unit of luminance, defined as emitted or reflected luminance by one lumen per square centimetre.   |
| P32 | candela per square foot<br>Base unit SI candela divided by the power of the unit foot according to the Anglo-American and Imperial system of units by exponent 2.                       |
| P33 | kilocandela<br>1000-fold of the SI base unit candela.   |
| P34 | millicandela<br>0,001-fold of the SI base unit candela.   |
| P35 | Hefner-Kerze<br>Obsolete, non-legal unit of the power in Germany relating to DIN 1301-3: 1979: 1 HK = 0,903 cd.   |
| P36 | international candle<br>Obsolete, non-legal unit of the power in Germany relating to DIN 1301-3: 1979: 1 HK = 1,019 cd.   |
| P37 | British thermal unit (international table) per square foot<br>Unit of the areal-related energy transmission according to the Imperial system of units.                                  |
| P38 | British thermal unit (thermochemical) per square foot<br>Unit of the areal-related energy transmission according to the Imperial system of units.                                       |
| P39 | calorie (thermochemical) per square centimetre<br>Unit of the areal-related energy transmission according to the Imperial system of units.  |
| P40 | langley<br>CGS (Centimetre-Gram-Second system) unit of the areal-related energy transmission (as a measure of the incident quantity of heat of solar radiation on the earth's surface). |
| P41 | decade (logarithmic)<br>1 Dec := $\log_2 10 \sim 3,32$ according to the logarithm for frequency range between $f_1$ and $f_2$ , when $f_2/f_1 = 10$ .                                   |

## Used Codes

---

|     |   |
|-----|---|
| P42 | pascal squared second<br>Unit of the set as a product of the power of derived SI unit pascal with exponent 2 and the SI base unit second.   |
| P43 | bel per metre<br>Unit bel divided by the SI base unit metre.  |
| P44 | pound mole<br>Non SI-conforming unit of quantity of a substance relating that one pound mole of a chemical composition corresponds to the same number of pounds as the molecular weight of one molecule of this composition in atomic mass units.   |
| P45 | pound mole per second<br>Non SI-conforming unit of the power of the amount of substance non-SI compliant unit of the molar flux relating that a pound mole of a chemical composition the same number of pound corresponds like the molecular weight of a molecule of this composition in atomic mass units. |
| P46 | pound mole per minute<br>Non SI-conforming unit of the power of the amount of substance non-SI compliant unit of the molar flux relating that a pound mole of a chemical composition the same number of pound corresponds like the molecular weight of a molecule of this composition in atomic mass units. |
| P47 | kilomole per kilogram<br>1000-fold of the SI base unit mol divided by the SI base unit kilogram.  |
| P48 | pound mole per pound<br>Non SI-conforming unit of the material molar flux divided by the avoirdupois pound for mass according to the avoirdupois unit system.   |
| P49 | newton square metre per ampere<br>Product of the derived SI unit newton and the power of SI base unit metre with exponent 2 divided by the SI base unit ampere.   |
| P5  | five pack<br>A unit of count defining the number of five-packs (five-pack: set of five items packaged together).  |
| P50 | weber metre<br>Product of the derived SI unit weber and SI base unit metre.   |
| P51 | mol per kilogram pascal<br>SI base unit mol divided by the product of the SI base unit kilogram and the derived SI unit pascal.   |
| P52 | mol per cubic metre pascal<br>SI base unit mol divided by the product of the power from the SI base unit metre with exponent 3 and the derived SI unit pascal.  |
| P53 | unit pole<br>CGS (Centimetre-Gram-Second system) unit for magnetic flux of a magnetic pole (according to the interaction of identical poles of 1 dyn at a distance of a cm).  |

**Used Codes**

|     |  |
|-----|--|
| P54 | milligray per second<br>0,001-fold of the derived SI unit gray divided by the SI base unit second.   |
| P55 | microgray per second<br>0,000 001-fold of the derived SI unit gray divided by the SI base unit second.   |
| P56 | nanogray per second<br>0,000 000 001-fold of the derived SI unit gray divided by the SI base unit second.  |
| P57 | gray per minute<br>SI derived unit gray divided by the unit minute.  |
| P58 | milligray per minute<br>0,001-fold of the derived SI unit gray divided by the unit minute.   |
| P59 | microgray per minute<br>0,000 001-fold of the derived SI unit gray divided by the unit minute.   |
| P60 | nanogray per minute<br>0,000 000 001-fold of the derived SI unit gray divided by the unit minute.  |
| P61 | gray per hour<br>SI derived unit gray divided by the unit hour.  |
| P62 | milligray per hour<br>0,001-fold of the derived SI unit gray divided by the unit hour.   |
| P63 | microgray per hour<br>0,000 001-fold of the derived SI unit gray divided by the unit hour.   |
| P64 | nanogray per hour<br>0,000 000 001-fold of the derived SI unit gray divided by the unit hour.  |
| P65 | sievert per second<br>Derived SI unit sievert divided by the SI base unit second.  |
| P66 | millisievert per second<br>0,001-fold of the derived SI unit sievert divided by the SI base unit second.   |
| P67 | microsievert per second<br>0,000 001-fold of the derived SI unit sievert divided by the SI base unit second.   |
| P68 | nanosievert per second<br>0,000 000 001-fold of the derived SI unit sievert divided by the SI base unit second.  |
| P69 | rem per second<br>Unit for the equivalent tin rate relating to DIN 1301-3:1979: $1 \text{ rem/s} = 0,01 \text{ J}/(\text{kg}\cdot\text{s}) = 1 \text{ Sv/s}$ . |
| P70 | sievert per hour<br>Derived SI unit sievert divided by the unit hour.  |

**Used Codes**

|     |  |
|-----|--|
| P71 | millisievert per hour<br>0,001-fold of the derived SI unit sievert divided by the unit hour.   |
| P72 | microsievert per hour<br>0,000 001-fold of the derived SI unit sievert divided by the unit hour.   |
| P73 | nanosievert per hour<br>0,000 000 001-fold of the derived SI unit sievert divided by the unit hour.  |
| P74 | sievert per minute<br>Derived SI unit sievert divided by the unit minute.  |
| P75 | millisievert per minute<br>0,001-fold of the derived SI unit sievert divided by the unit minute.   |
| P76 | microsievert per minute<br>0,000 001-fold of the derived SI unit sievert divided by the unit minute.   |
| P77 | nanosievert per minute<br>0,000 000 001-fold of the derived SI unit sievert divided by the unit minute.  |
| P78 | reciprocal square inch<br>Complement of the power of the unit inch according to the Anglo-American and Imperial system of units by exponent 2.   |
| P79 | pascal square metre per kilogram<br>Unit of the burst index as derived unit for pressure pascal related to the substance, represented as a quotient from the SI base unit kilogram divided by the power of the SI base unit metre by exponent 2. |
| P80 | millipascal per metre<br>0,001-fold of the derived SI unit pascal divided by the SI base unit metre.   |
| P81 | kilopascal per metre<br>1000-fold of the derived SI unit pascal divided by the SI base unit metre.   |
| P82 | hectopascal per metre<br>100-fold of the derived SI unit pascal divided by the SI base unit metre.   |
| P83 | standard atmosphere per metre<br>Outdated unit of the pressure divided by the SI base unit metre.  |
| P84 | technical atmosphere per metre<br>Obsolete and non-legal unit of the pressure which is generated by a 10 metre water column divided by the SI base unit metre.   |
| P85 | torr per metre<br>CGS (Centimetre-Gram-Second system) unit of the pressure divided by the SI base unit metre.  |



## Used Codes

---

|     |   |
|-----|---|
| P86 | psi per inch<br>Compound unit for pressure (pound-force according to the Anglo-American unit system divided by the power of the unit inch according to the Anglo-American and Imperial system of units with the exponent 2) divided by the unit inch according to the Anglo-American and Imperial system of units . |
| P87 | cubic metre per second square metre<br>Unit of volume flow cubic meters by second related to the transmission surface in square metres.   |
| P88 | rhe<br>Non SI-conforming unit of fluidity of dynamic viscosity.   |
| P89 | pound-force foot per inch<br>Unit for length-related rotational moment according to the Anglo-American and Imperial system of units.  |
| P90 | pound-force inch per inch<br>Unit for length-related rotational moment according to the Anglo-American and Imperial system of units.  |
| P91 | perm (0 °C)<br>Traditional unit for the ability of a material to allow the transition of the steam, defined at a temperature of 0 °C as steam transmittance, where the mass of one grain steam penetrates an area of one foot squared at a pressure from one inch mercury per hour.                                 |
| P92 | perm (23 °C)<br>Traditional unit for the ability of a material to allow the transition of the steam, defined at a temperature of 23 °C as steam transmittance at which the mass of one grain of steam penetrates an area of one square foot at a pressure of one inch mercury per hour.                             |
| P93 | byte per second<br>Unit byte divided by the SI base unit second.  |
| P94 | kilobyte per second<br>1000-fold of the unit byte divided by the SI base unit second.   |
| P95 | megabyte per second<br>1 000 000-fold of the unit byte divided by the SI base unit second.  |
| P96 | reciprocal volt<br>Reciprocal of the derived SI unit volt.  |
| P97 | reciprocal radian<br>Reciprocal of the unit radian.   |
| P98 | pascal to the power sum of stoichiometric numbers<br>Unit of the equilibrium constant on the basis of the pressure(ISO 80000-9: 2009, 9-35.a).  |

## Used Codes

---

|     |   |
|-----|---|
| P99 | mole per cubiv metre to the power sum of stoichiometric numbers<br>Unit of the equilibrium constant on the basis of the concentration (ISO 80000-9:2009, 9-36.a).   |
| PAL | pascal  |
| PD  | pad<br>A unit of count defining the number of pads (pad: block of paper sheets fastened together at one end).   |
| PFL | proof litre<br>A unit of volume equal to one litre of proof spirits, or the alcohol equivalent thereof. Used for measuring the strength of distilled alcoholic liquors, expressed as a percentage of the alcohol content of a standard mixture at a specific temperature.   |
| PGL | proof gallon<br>A unit of volume equal to one gallon of proof spirits, or the alcohol equivalent thereof. Used for measuring the strength of distilled alcoholic liquors, expressed as a percentage of the alcohol content of a standard mixture at a specific temperature. |
| PI  | pitch<br>A unit of count defining the number of characters that fit in a horizontal inch.   |
| PLA | degree Plato<br>A unit of proportion defining the sugar content of a product, especially in relation to beer.   |
| PO  | pound per inch of length  |
| PQ  | page per inch<br>A unit of quantity defining the degree of thickness of a bound publication, expressed as the number of pages per inch of thickness.  |
| PR  | pair<br>A unit of count defining the number of pairs (pair: item described by two's).   |
| PS  | pound-force per square inch   |
| PT  | pint (US)<br>Use liquid pint (common code PTL)  |
| PTD | dry pint (US)   |
| PTI | pint (UK)   |
| PTL | liquid pint (US)  |
| PTN | portion<br>A quantity of allowance of food allotted to, or enough for, one person.  |
| Q10 | joule per tesla<br>Unit of the magnetic dipole moment of the molecule as derived SI unit joule divided by the derived SI unit tesla.  |

## Used Codes

---

|     |   |
|-----|---|
| Q11 | erlang<br>Unit of the market value according to the feature of a single feature as a statistical measurement of the existing utilization.   |
| Q12 | octet<br>Synonym for byte: 1 octet = 8 bit = 1 byte.  |
| Q13 | octet per second<br>Unit octet divided by the SI base unit second.  |
| Q14 | shannon<br>Logarithmic unit for information equal to the content of decision of a sentence of two mutually exclusive events, expressed as a logarithm to base 2.  |
| Q15 | hartley<br>Logarithmic unit for information equal to the content of decision of a sentence of ten mutually exclusive events, expressed as a logarithm to base 10.   |
| Q16 | natural unit of information<br>Logarithmic unit for information equal to the content of decision of a sentence of ,718 281 828 459 mutually exclusive events, expressed as a logarithm to base Euler value e.   |
| Q17 | shannon per second<br>Time related logarithmic unit for information equal to the content of decision of a sentence of two mutually exclusive events, expressed as a logarithm to base 2.  |
| Q18 | hartley per second<br>Time related logarithmic unit for information equal to the content of decision of a sentence of ten mutually exclusive events, expressed as a logarithm to base 10.   |
| Q19 | natural unit of information per second<br>Time related logarithmic unit for information equal to the content of decision of a sentence of 2,718 281 828 459 mutually exclusive events, expressed as a logarithm to base of the Euler value e.   |
| Q20 | second per kilogramm<br>Unit of the Einstein transition probability for spontaneous or inducing emissions and absorption according to ISO 80000-7:2008, expressed as SI base unit second divided by the SI base unit kilogram.  |
| Q21 | watt square metre<br>Unit of the first radiation constants $c_1 = 2 \cdot p \cdot h \cdot c_0$ to the power of 2, the value of which is 3,741 771 18 · 10 <sup>16</sup> -fold that of the comparative value of the product of the derived SI unit watt multiplied with the power of the SI base unit metre with the exponent 2. |
| Q22 | second per radian cubic metre<br>Unit of the density of states as an expression of angular frequency as complement of the product of hertz and radian and the power of SI base unit metre by exponent 3 .   |

## Used Codes

---

|     |   |
|-----|---|
| Q23 | weber to the power minus one<br>Complement of the derived SI unit weber as unit of the Josephson constant, which value is equal to the 384 597,891-fold of the reference value gigahertz divided by volt. |
| Q24 | reciprocal inch<br>Complement of the unit inch according to the Anglo-American and Imperial system of units.  |
| Q25 | diopetre<br>Unit used at the statement of relative refractive indexes of optical systems as complement of the focal length with correspondence to: 1 dpt = 1/m.   |
| Q26 | one per one<br>Value of the quotient from two physical units of the same kind as a numerator and denominator whereas the units are shortened mutually.  |
| Q27 | newton metre per metre<br>Unit for length-related rotational moment as product of the derived SI unit newton and the SI base unit metre divided by the SI base unit metre.                                |
| Q28 | kilogram per square metre pascal second<br>Unit for the ability of a material to allow the transition of steam.   |
| Q29 | microgram per hectogram<br>Microgram per hectogram.   |
| Q3  | meal<br>A unit of count defining the number of meals (meal: an amount of food to be eaten on a single occasion).  |
| Q30 | pH (potential of Hydrogen)<br>The activity of the (solvated) hydrogen ion (a logarithmic measure used to state the acidity or alkalinity of a chemical solution).   |
| Q31 | kilojoule per gram  |
| Q32 | femtolitre  |
| Q33 | picolitre   |
| Q34 | nanolitre   |
| Q35 | megawatts per minute<br>A unit of power defining the total amount of bulk energy transferred or consumer per minute.  |
| Q36 | square metre per cubic metre<br>A unit of the amount of surface area per unit volume of an object or collection of objects.   |
| Q37 | Standard cubic metre per day<br>Standard cubic metre (temperature 15°C and pressure 1013.25 millibars ) per day   |

**Used Codes**

|     |   |
|-----|---|
| Q38 | Standard cubic metre per hour<br>Standard cubic metre (temperature 15°C and pressure 1013.25 millibars ) per hour   |
| Q39 | Normalized cubic metre per day<br>Normalized cubic metre (temperature 0°C and pressure 1013.25 millibars ) per day  |
| Q40 | Normalized cubic metre per hour<br>Normalized cubic metre (temperature 0°C and pressure 1013.25 millibars ) per hour  |
| Q41 | Joule per normalised cubic metre<br>Joule per normalised cubic metre (temperature 0°C and pressure 1013.25 millibars).  |
| Q42 | Joule per standard cubic metre<br>Joule per standard cubic metre (temperature 15°C and pressure 1013.25 millibars).   |
| QA  | page - facsimile<br>A unit of count defining the number of facsimile pages.   |
| QAN | quarter (of a year)<br>A unit of time defining the number of quarters (3 months).   |
| QB  | page - hardcopy<br>A unit of count defining the number of hardcopy pages (hardcopy page: a page rendered as printed or written output on paper, film, or other permanent medium). |
| QR  | quire<br>A unit of count for paper, expressed as the number of quires (quire: a number of paper sheets, typically 25).  |
| QT  | quart (US)<br>Use liquid quart (common code QTL)  |
| QTD | dry quart (US)  |
| QTI | quart (UK)  |
| QTL | liquid quart (US)   |
| QTR | quarter (UK)<br>A traditional unit of weight equal to 1/4 hundredweight. In the United Kingdom, one quarter equals 28 pounds.   |
| R1  | pica<br>A unit of count defining the number of picas. (pica: typographical length equal to 12 points or 4.22 mm (approx.)).   |
| R9  | thousand cubic metre<br>A unit of volume equal to one thousand cubic metres.  |

**Used Codes**

|     |  |
|-----|--|
| RH  | running or operating hour<br>A unit of time defining the number of hours of operation.   |
| RM  | ream<br>A unit of count for paper, expressed as the number of reams (ream: a large quantity of paper sheets, typically 500).   |
| ROM | room<br>A unit of count defining the number of rooms.  |
| RP  | pound per ream<br>A unit of mass for paper, expressed as pounds per ream. (ream: a large quantity of paper, typically 500 sheets).   |
| RPM | revolutions per minute<br>Refer ISO/TC12 SI Guide  |
| RPS | revolutions per second<br>Refer ISO/TC12 SI Guide  |
| RT  | revenue ton mile<br>A unit of information typically used for billing purposes, expressed as the number of revenue tons (revenue ton: either a metric ton or a cubic metres, whichever is the larger), moved over a distance of one mile. |
| S3  | square foot per second<br>Synonym: foot squared per second   |
| S4  | square metre per second<br>Synonym: metre squared per second (square metres/second US)   |
| SAN | half year (6 months)<br>'A unit of time defining the number of half years (6 months).  |
| SCO | score<br>A unit of count defining the number of units in multiples of 20.  |
| SCR | scruple  |
| SEC | second [unit of time]  |
| SET | set<br>A unit of count defining the number of sets (set: a number of objects grouped together).  |
| SG  | segment<br>A unit of information equal to 64000 bytes.   |
| SHT | shipping ton<br>A unit of mass defining the number of tons for shipping.   |
| SIE | siemens  |
| SM3 | Standard cubic metre<br>Standard cubic metre (temperature 15°C and pressure 1013.25 millibars )  |

## Used Codes

|     |   |
|-----|---|
| SMI | mile (statute mile)   |
| SQ  | square<br>A unit of count defining the number of squares (square: rectangular shape).   |
| SQR | square, roofing<br>A unit of count defining the number of squares of roofing materials, measured in multiples of 100 square feet.                                 |
| SR  | strip<br>A unit of count defining the number of strips (strip: long narrow piece of an object).   |
| STC | stick<br>A unit of count defining the number of sticks (stick: slender and often cylindrical piece of a substance).   |
| STI | stone (UK)  |
| STK | stick, cigarette<br>A unit of count defining the number of cigarettes in the smallest unit for stock-taking and/or duty computation.                              |
| STL | standard litre<br>A unit of volume defining the number of litres of a product at a temperature of 15 degrees Celsius, especially in relation to hydrocarbon oils. |
| STN | ton (US) or short ton (UK/US)<br>Synonym: net ton (2000 lb)   |
| STW | straw<br>A unit of count defining the number of straws (straw: a slender tube used for sucking up liquids).   |
| SW  | skein<br>A unit of count defining the number of skeins (skein: a loosely-coiled bundle of yarn or thread).  |
| SX  | shipment<br>A unit of count defining the number of shipments (shipment: an amount of goods shipped or transported).   |
| SYR | syringe<br>A unit of count defining the number of syringes (syringe: a small device for pumping, spraying and/or injecting liquids through a small aperture).     |
| T0  | telecommunication line in service<br>A unit of count defining the number of lines in service.   |
| T3  | thousand piece<br>A unit of count defining the number of pieces in multiples of 1000 (piece: a single item, article or exemplar).                                 |
| TAH | kiloampere hour (thousand ampere hour)  |

## Used Codes

---

|     |   |
|-----|---|
| TAN | total acid number<br>A unit of chemistry defining the amount of potassium hydroxide (KOH) in milligrams that is needed to neutralize the acids in one gram of oil. It is an important quality measurement of crude oil. |
| TI  | thousand square inch  |
| TIC | metric ton, including container<br>A unit of mass defining the number of metric tons of a product, including its container.   |
| TIP | metric ton, including inner packaging<br>A unit of mass defining the number of metric tons of a product, including its inner packaging materials.   |
| TKM | tonne kilometre<br>A unit of information typically used for billing purposes, expressed as the number of tonnes (metric tons) moved over a distance of one kilometre.   |
| TMS | kilogram of imported meat, less offal<br>A unit of mass equal to one thousand grams of imported meat, disregarding less valuable by-products such as the entrails.  |
| TNE | tonne (metric ton)<br>Synonym: metric ton   |
| TP  | ten pack<br>A unit of count defining the number of items in multiples of 10.  |
| TPI | teeth per inch<br>The number of teeth per inch.   |
| TPR | ten pair<br>A unit of count defining the number of pairs in multiples of 10 (pair: item described by two's).  |
| TQD | thousand cubic metre per day<br>A unit of volume equal to one thousand cubic metres per day.  |
| TRL | trillion (EUR)  |
| TST | ten set<br>A unit of count defining the number of sets in multiples of 10 (set: a number of objects grouped together).  |
| TTS | ten thousand sticks<br>A unit of count defining the number of sticks in multiples of 10000 (stick: slender and often cylindrical piece of a substance).   |
| U1  | treatment<br>A unit of count defining the number of treatments (treatment: subjection to the action of a chemical, physical or biological agent).   |



**Used Codes**

|     |   |
|-----|---|
| U2  | tablet<br>A unit of count defining the number of tablets (tablet: a small flat or compressed solid object).           |
| UA  | torr  |
| UB  | telecommunication line in service average<br>A unit of count defining the average number of lines in service.         |
| UC  | telecommunication port<br>A unit of count defining the number of network access ports.                                |
| UIG | international unit per gram<br>A unit of count defining the number of international units per gram.                   |
| VA  | volt - ampere per kilogram  |
| VLT | volt  |
| VP  | percent volume<br>A measure of concentration, typically expressed as the percentage volume of a solute in a solution. |
| W2  | wet kilo<br>A unit of mass defining the number of kilograms of a product, including the water content of the product. |
| WA  | watt per kilogram   |
| WB  | wet pound<br>A unit of mass defining the number of pounds of a material, including the water content of the material. |
| WCD | cord<br>A unit of volume used for measuring lumber. One board foot equals 1/12 of a cubic foot.                       |
| WE  | wet ton<br>A unit of mass defining the number of tons of a material, including the water content of the material.     |
| WEB | weber   |
| WEE | week  |
| WG  | wine gallon<br>A unit of volume equal to 231 cubic inches.  |
| WHR | watt hour   |
| WM  | working month<br>A unit of time defining the number of working months.  |
| WSD | standard<br>A unit of volume of finished lumber equal to 165 cubic feet.<br>Synonym: standard cubic foot              |

**Used Codes**

|     |  |
|-----|--|
| WTT | watt   |
| WW  | millilitre of water<br>A unit of volume equal to the number of millilitres of water.   |
| X1  | Gunter's chain<br>A unit of distance used or formerly used by British surveyors.   |
| YDK | square yard  |
| YDQ | cubic yard   |
| YRD | yard   |
| Z11 | hanging container<br>A unit of count defining the number of hanging containers.  |
| Z9  | nanomole<br>An SI unit of amount of substance equal to $10^{-9}$ moles   |
| ZP  | page<br>A unit of count defining the number of pages.  |
| ZZ  | mutually defined<br>A unit of measure as agreed in common between two or more parties.   |
| 001 | Barrel (205 litres, 45 gallons) (GS1 Temporary Code)<br>A unit of liquids equivalent to 205 litres or 45 gallons.  |
| 23  | gram per cubic centimetre<br>GS1 Description:<br>g/cm <sup>3</sup> as a unit of measure for the density of gas. This is necessary for dangerous substance articles for determination of the quantities that can be stored together on the shelf. |
| 25  | gram per square centimetre<br>GS1 Description:<br>A measure of weight in terms of gram per square centimetre.  |
| 28  | kilogram per square metre<br>GS1 Description:<br>Unit of measure expressed in kilogram per square metre.   |
| 37  | ounce per square foot  |
| 59  | part per million   |
| 64  | Pound per square inch, gauge<br>A unit of measure expressed in pound per square inch   |
| 2N  | decibel  |
| 2X  | metre per minute<br>GS1 Description:<br>A measure of speed in terms of metres per minute.  |
| 4K  | milliampere  |

**Used Codes**

|     |  |
|-----|--|
| 4L  | megabyte<br>GS1 Description:<br>A unit of computer memory equal to 1.048.576 (i.e. 2 power 20) bytes.  |
| 4O  | microfarad<br>GS1 Description:<br>One millionth of a farad. A farad is the capacitance of a capacitor between the plates of which a potential of 1 volt is created by a charge of 1 Coulomb. |
| 4P  | newton per metre   |
| A25 | cheval vapeur  |
| A86 | gigahertz<br>GS1 Description:<br>Hertz multiplied by 10*9.   |
| A99 | Bit<br>A unit of information equal to one binary digit.  |
| ACR | acre<br>GS1 Description:<br>Acre (4840 yd2)  |
| AD  | byte<br>GS1 Description:<br>A unit of information stored in a computer, equal to eight bits.   |
| AMH | ampere hour<br>GS1 Description:<br>Ampere-hour (3,6kC)   |
| AMP | ampere   |
| AMT | amount   |
| ANN | year<br>GS1 Description:<br>The expression of a year as a measure unit.  |
| APZ | Troy ounce or apothecary ounce<br>EDIFACT  |
| ASM | alcoholic strength by mass<br>GS1 Description:<br>Alcoholic strength expressed by mass.  |
| ASU | alcoholic strength by volume<br>GS1 Description:<br>Alcoholic strength expressed by volume.  |
| AV  | capsule<br>GS1 Description:<br>Encapsuled dosage form for pharmaceuticals.   |
| B13 | Joule per square metre<br>A unit of measure of heat energy expressed in joule per square metre.  |

**Used Codes**

|     |  |
|-----|--|
| B17 | Credit<br>A unit of count defining the number of entries made to the credit side of an account.  |
| BAR | bar<br>GS1 Description:<br>A unit of measure equal to 106 dines per square centimeter.   |
| BTU | British thermal unit<br>GS1 Description:<br>British thermal unit (1,055 kilojoules)  |
| C0  | call<br>GS1 Description:<br>Unit of measure for telephone calls. Code value is C0 (C Zero).  |
| C60 | ohm centimetre<br>GS1 Description:<br>Unit of measure expressed in Ohm centimetre.   |
| C79 | Kilovolt Ampere Hour<br>A unit of accumulated energy of 1000 volt amperes over a period of one hour.<br>EDIFACT  |
| CDL | candela<br>GS1 Description:<br>Unit of measure of light intensity.   |
| CEL | degree celsius   |
| CF2 | Colony forming unit per gram (GS1 Temporary Code)<br>Colony forming units per gram is a unit of measure for micro-organisms, such as bacteria, in a food item. Micro-organisms form colonies that are be counted under determined conditions |
| CLT | centilitre<br>GS1 Description:<br>A unit of volume equal to one hundredth of a liter.  |
| CMK | square centimetre  |
| CMQ | cubic centimetre<br>GS1 Description:<br>A system of units for the measurement of volume based on the cubic centimetre.   |
| CMT | centimetre   |
| D19 | Square metre kelvin per watt<br>Unit of measure of thermal insulance expressed in square metre kelvin per watt.  |
| D21 | square metre per kilogram<br>GS1 Description:<br>Unit of measure expressed in square metre per kilogram.   |
| D32 | Terawatt hour<br>A unit of measure expressed in terawatt hour  |

**Used Codes**

|     |  |
|-----|--|
| D5  | Kilogram per square centimetre<br>A unit of measure expressed in kilogram per square centimetre  |
| D55 | Watt per square metre kelvin<br>Unit of measure of thermal conductance expressed in watt per square metre kelvin.  |
| D68 | Number of Words<br>A unit of count defining the number of words.<br>EDIFACT  |
| DAY | day<br>GS1 Description:<br>The expression of a day as a measure unit.  |
| DD  | degree<br>GS1 Description:<br>Unit of measure of temperature.  |
| DMQ | cubic decimetre<br>GS1 Description:<br>Unit of measure expressed in cubic decimetre.   |
| DMT | decimetre  |
| DRG | Dragée (GS1 Temporary Code)<br>Number of dragées (coated tablets) contained in the item's package as a measurement unit.                                 |
| DZN | dozen<br>GS1 Description:<br>A unit of measure of 12 or group of 12.   |
| E09 | Milliampere hour<br>A unit of power load delivered at the rate of one thousandth of an ampere over a period of one hour.<br>EDIFACT                      |
| E10 | Degree day<br>A unit of measure used in meteorology and engineering to measure the demand for heating or cooling over a given period of days.<br>EDIFACT |
| E11 | Gigacalorie<br>A unit of heat energy equal to one thousand million calories.<br>EDIFACT  |
| E27 | Dose<br>A unit of count defining the number of doses (dose: a definite quantity of a medicine or drug).<br>EDIFACT                                       |
| E31 | Square metre per litre<br>A unit of count defining the number of square metres per litre.<br>EDIFACT   |

**Used Codes**

|     |  |
|-----|--|
| E32 | Litre per hour<br>A unit of count defining the number of litres per hour.<br>EDIFACT   |
| E34 | Gigabyte<br>A unit of information equal to 10 E9 bytes.  |
| E37 | Pixel<br>A unit of count defining the number of pixels (pixel: picture element).   |
| E38 | Megapixel<br>A unit of count equal to 10 E6 (1000000) pixels (picture elements).   |
| E39 | Dots per inch<br>A unit of information defining the number of dots per linear inch as a measure of the resolution or sharpness of an image.<br>GS1 Description:<br>synonym: pixels per inch. |
| EA  | each   |
| EV  | envelope<br>GS1 Description:<br>A unit of measure pertaining to the number of envelopes.   |
| FAH | degree Fahrenheit  |
| FOT | foot<br>GS1 Description:<br>Foot (0,3048 m)  |
| FP  | Pound per square foot<br>A unit of measure expressed in pound per square foot  |
| FTK | Square foot<br>A unit of measure expressed in square foot  |
| FTQ | cubic foot   |
| GL  | gram per litre   |
| GLI | gallon (UK)<br>GS1 Description:<br>Gallon (4,546092 dm <sup>3</sup> )  |
| GM  | gram per square metre<br>GS1 Description:<br>Unit of measure of grams per square metre.  |
| GRM | gram   |
| GRO | gross<br>GS1 Description:<br>A unit of measure of 12 dozens.   |
| GV  | gigajoule  |

**Used Codes**

|     |  |
|-----|--|
| GWH | gigawatt hour<br>GS1 Description:<br>Gigawatt-hour (1 million kW/h)  |
| H87 | Piece<br>A unit of count defining the number of pieces (piece: a single item, article or exemplar).<br>EDIFACT |
| HLT | hectolitre   |
| HMT | hectometre<br>A unit of linear measure equal to 10 E2 metres.  |
| HTZ | hertz<br>GS1 Description:<br>One cycle per second.   |
| HUR | hour   |
| INH | inch<br>GS1 Description:<br>Inch (25,4 mm)   |
| INK | Square inch<br>A unit of measure expressed in square inch  |
| JM  | Megajoule per cubic metre<br>EDIFACT   |
| JOU | joule  |
| K51 | Kilocalorie (mean)<br>EDIFACT  |
| KB  | kilocharacter  |
| KBA | kilobar  |
| KEL | kelvin   |
| KGM | kilogram   |
| KHZ | kilohertz  |
| KJO | kilojoule  |
| KL  | kilogram per metre<br>GS1 Description:<br>A measure of weight in terms of kilogram per metre.                  |
| KMH | kilometre per hour<br>GS1 Description:<br>A unit of measure expressed in kilometre per hour.                   |
| KMQ | kilogram per cubic metre<br>GS1 Description:<br>A measure of weight in terms of kilogram per cubic metre.      |
| KMT | kilometre  |

**Used Codes**

|     |  |
|-----|--|
| KPA | kilopascal<br>GS1 Description:<br>Unit of measure expressed in kilopascal.   |
| KVA | kilovolt - ampere<br>GS1 Description:<br>A unit of electric power.   |
| KVT | kilovolt   |
| KWH | kilowatt hour  |
| KWT | kilowatt   |
| L2  | litre per minute<br>GS1 Description:<br>Unit of measure expressed in litre per minute.   |
| LBR | Pound<br>EDIFACT   |
| LD  | Litre per day<br>A unit of measure defining the number of litres per day.  |
| LNE | Printed line count (GS1 Temporary Code)<br>The indication of the count of printed lines included on a paper communication (e.g. telegram) for invoicing purposes.                            |
| LTR | litre<br>GS1 Description:<br>Litre (1 dm <sup>3</sup> )  |
| LUX | lux<br>GS1 Description:<br>Unit of measure of illumination (it corresponds to the illumination of a surface which normally and uniformly receives a light flow of 1 lumen per square meter). |
| M4  | Monetary value<br>A unit of measure expressed as a monetary amount.<br>EDIFACT   |
| MAL | mega litre   |
| MAW | megawatt   |
| MC  | microgram<br>One millionth of a gram.  |
| MCU | millicurie<br>GS1 Description:<br>Unit of measure for radioactivity.   |
| MGM | milligram  |
| MHZ | megahertz  |
| MIN | minute   |
| MLT | millilitre   |



## Used Codes

|     |  |
|-----|--|
| MMK | square millimetre<br>GS1 Description:<br>A unit to measure a surface equal to one millionth of a quadrate.   |
| MMQ | cubic millimetre<br>GS1 Description:<br>A unit of measure expressed in cubic milimetres.   |
| MMT | millimetre   |
| MON | month<br>GS1 Description:<br>The expression of a month as a measure unit.  |
| MPA | megapascal<br>GS1 Description:<br>A unit of measure expressed in Megapascal.   |
| MQH | Cubic metre per hour<br>A unit of measure defining the number of cubic metres per hour.  |
| MTK | square metre   |
| MTQ | cubic metre  |
| MTR | metre  |
| MTS | Metre per second<br>A unit of speed expressed in metres per second.  |
| MWH | megawatt hour (1000 kW.h)  |
| NAR | number of articles   |
| NEW | newton<br>GS1 Description:<br>The SI unit of force, equal to the force that would give a mass of one kilogram an acceleration of one metre per second.               |
| NIU | number of international units<br>A unit of count defining the number of international units.   |
| NRL | number of rolls  |
| ONZ | ounce<br>GS1 Description:<br>Ounce GB, US (28,349523 g)  |
| OZA | fluid ounce (US)<br>GS1 Description:<br>Fluid ounce US (29,5735 cm <sup>3</sup> )  |
| OZI | fluid ounce (UK)<br>GS1 Description:<br>Fluid ounce UK (28,413 cm <sup>3</sup> )   |
| P1  | percent<br>GS1 Description:<br>This code is used to indicate measurements in terms of percentages, e.g. the relative humidity (code RA in data element 6313) is 52%. |

## Used Codes

|     |   |
|-----|---|
| PA  | packet  |
| PAL | pascal<br>GS1 Description:<br>The SI unit of pressure, equal to one Newton per square metre.  |
| PCE | Piece (GS1 Temporary Code)<br>GS1 Note: Old code value. Use value H87 instead.  |
| PF  | pallet (lift)<br>GS1 Description:<br>A number of articles expressed in terms of pallets.  |
| PR  | pair<br>GS1 Description:<br>Two articles which belong together but are not necessarily identical.   |
| PTI | pint (UK)<br>GS1 Description:<br>Pint UK (0,568262 dm3)   |
| PTN | Portion (GS1 Temporary Code)<br>The identification of the number of portions (doses in medical terms) into which a complete product may be broken into for serving purposes, e.g. a pie with 6 portions, a liquid medicine with 20 doses. |
| QAN | quarter (of a year)   |
| QTI | quart (UK)<br>GS1 Description:<br>Quart UK (1,1136523 dm3)  |
| RJH | Decanewton (GS1 Temporary Code)<br>A unit of force equal to 10 Newton.  |
| RPM | revolutions per minute  |
| RTO | Ratio (GS1 Temporary Code)<br>The measured value is a ratio.  |
| SEC | second  |
| SMI | Mile (statute mile)<br>A unit of measure expressed in mile  |
| ST  | sheet   |
| TNE | tonne (metric ton)<br>GS1 Description:<br>Metric ton (1000kg)   |
| U2  | tablet<br>A unit of count defining the number of tablets (tablet: a small flat or compressed solid object).<br>GS1 Description:<br>Dosage form for pharmaceuticals, pressed or compacted from a powder into a solid dose.                 |

## Used Codes

---

|             |  |
|-------------|--|
| UI          | Unit of activity, predefined (GS1 Temporary Code)<br>A measure pertaining to a predefined activity.  |
| VI          | vial<br>GS1 Description:<br>Small glass container. E.g. for a liquid medicine or perfume.  |
| VLT         | volt   |
| WHR         | watt hour  |
| WTT         | watt   |
| YDK         | Square yard<br>A unit of measure expressed in square yard  |
| YRD         | yard<br>GS1 Description:<br>Yard (0,9144 m)  |
| ZP          | page<br>GS1 Description:<br>The indication of a page as a measurement unit for invoicing purposes, e.g. fax pages.   |
| <b>7009</b> | Item description code<br>Code specifying an item.  |
| ACA         | ABC Method - Classification A (GS1 Permanent Code)<br>Activity based on costing classification method A.   |
| ACB         | ABC Method - Classification B (GS1 Permanent Code)<br>Activity based on costing classification method B.   |
| ACC         | ABC Method - Classification C (GS1 Permanent Code)<br>Activity based on costing classification method C.   |
| AUT         | Autumn (GS1 Permanent Code)<br>Autumn season.  |
| BA          | Base article (GS1 Permanent Code)<br>A conceptual article identified for the purposes of ordering Customer Specific Articles. Base articles must always have configurations of options associated with them. |
| BLK         | Bulk consumer unit (GS1 Permanent Code)<br>The item is designed as a bulk consumer unit, i.e. to be sold mainly to hotels, restaurants, caterers, hospitals etc.   |
| BU          | Base unit (GS1 Permanent Code)<br>The lowest level packaged unit for a given product, which may or may not be the consumer unit.   |
| CA          | Case (GS1 Permanent Code)<br>A standard trade item shipping unit.  |

## Used Codes

---

|     |  |
|-----|--|
| CIT | Collateral Item (GS1 Permanent Code)<br>A trade item delivered from a manufacturer to the retail selling floor that is not considered inventory and has no retail value. |
| CMP | Composition (GS1 Permanent Code)<br>The item is included in a dynamic assortment.  |
| CSF | Display material (GS1 Permanent Code)<br>A shopping unit that is a display.  |
| CSG | Full display stand (GS1 Permanent Code)<br>A trade item given to a consumer as part of a promotional event on another item or items.                                     |
| CTO | Cut to order (GS1 Permanent Code)<br>A unit load that is a "display ready pallet" and is intended to go directly to the selling floor.                                   |
| CU  | Consumer unit (GS1 Permanent Code)<br>A group of trade items (the same or different) that are intended to be sold as a single consumer unit at the Point-of-Sale.        |
| D   | Available all the year round (GS1 Permanent Code)<br>A unit load that could contain multiple packages.   |
| DAS | Dynamic Assortment (GS1 Permanent Code)<br>The item is included in a dynamic assortment.   |
| DF  | Default (GS1 Permanent Code)<br>A logistical unit or a consumer unit between a case and a each.  |
| DIC | Discount coupon (GS1 Permanent Code)<br>A coupon that entitles to a discount.  |
| DSP | Display shipper (GS1 Permanent Code)<br>A shopping unit that is a display.   |
| DST | Display stand (GS1 Permanent Code)<br>A trade item given to a consumer as part of a promotional event on another item or items.  |
| DU  | Despatch unit (GS1 Permanent Code)<br>The package size of a product or products which may be shipped when fulfilling an order.   |
| ETO | Engineer to Order (GS1 Permanent Code)<br>Engineer to Order includes products that are designed, developed and manufactured in response to a specific customer request.  |
| F01 | Caught (GS1 Permanent Code)<br>Caught at sea   |
| F02 | Caught in freshwater (GS1 Permanent Code)<br>Caught in freshwater  |

## Used Codes

---

|     |   |
|-----|---|
| F03 | Farmed (GS1 Permanent Code)<br>Farmed   |
| F04 | Cultivated (GS1 Permanent Code)<br>Cultivated   |
| FEM | Female (GS1 Permanent Code)<br>Female gender.   |
| FS  | Available in spring-summer (GS1 Permanent Code)<br>The product is available in the spring-summer period.  |
| FZ1 | Previously frozen (GS1 Permanent Code)<br>Previously frozen   |
| FZ2 | Not previously frozen (GS1 Permanent Code)<br>Not previously frozen   |
| GWP | Gift with purchase (GS1 Permanent Code)<br>A trade item given to a consumer as part of a promotional event on another item or items.  |
| HN  | Handling unit (GS1 Permanent Code)<br>The package size of a product which will be used when transporting and storing the product.   |
| HW  | Available in autumn-winter (GS1 Permanent Code)<br>The product is available in the autumn-winter period.  |
| IF1 | IF <> THEN <> ENDIF (GS1 Permanent Code)<br>E.G., IF <customer chooses node number 1332> THEN <action (taken from DE 1229 of LIN) to node number 1773> ENDIF.                 |
| IF2 | IF NOT <> THEN <> ENDIF (GS1 CPermanent ode)<br>E.G., IF NOT <customer does not choose node number 1332> THEN <action (taken from DE 1229 of LIN) to node number 1773> ENDIF. |
| IF3 | IF <> AND (GS1 Permanent Code)<br>E.G., IF <customer chooses node number 1332> AND (followed by another repeat of IMD with another rule).                                     |
| IF4 | IF NOT <> AND (GS1 Permanent Code)<br>E.G., IF NOT <customer does not choose node number 1332> AND (followed by another repeat of IMD with another rule).                     |
| IF5 | IF <> OR (GS1 Permanent Code)<br>E.G., IF <customer chooses node number 1332> OR (followed by another repeat of IMD with another rule).                                       |
| IF6 | IF NOT <> OR (GS1 Permanent Code)<br>E.G., IF NOT <customer does not choose node number 1332> OR (followed by another repeat of IMD with another rule).                       |

## Used Codes

---

|     |  |
|-----|--|
| IF7 | IF <> XOR (GS1 Permanent Code)<br>E.G., IF <customer chooses node number 1332> XOR (followed by another repeat of IMD with another rule).  |
| IF8 | IF NOT <> XOR (GS1 Permanent Code)<br>E.G., IF NOT <customer does not choose node number 1332> XOR (followed by another repeat of IMD with another rule).  |
| IN  | Invoicing unit (GS1 Permanent Code)<br>The package size of a product or products which will be used as the unit on which the buyer is invoiced.  |
| IT  | Intermediate unit (GS1 Permanent Code)<br>A package size of a product or products falling in between two predefined package sizes.   |
| MA  | Mandatory (GS1 Permanent Code)<br>An option of a Customer Specific Article which is mandatory in the configuration of the base article, e.g. it is mandatory to have legs when ordering a CSA table.   |
| MAL | Male (GS1 Permanent Code)<br>Male gender.  |
| MM  | Mixed module (GS1 Permanent Code)<br>A unit load that is a "display ready pallet" and is intended to go directly to the selling floor.   |
| MOD | Model (GS1 Permanent Code)<br>The identification of an article as a high level model of a product, e.g. spring fashions.   |
| MP  | Multipack (GS1 Permanent Code)<br>A group of trade items (the same or different) that are intended to be sold as a single consumer unit at the Point-of-Sale.  |
| MTO | Make to Order (GS1 Permanent Code)<br>A Make to Order environment is one in which products are completed after receipt of a customer order and are built or configured only in response to a customer order.                                       |
| MTS | Make to Stock (GS1 Permanent Code)<br>Make to Stock products are intended to be shipped from finished goods or 'off the shelf', are completed prior to receipt of a customer order, and are generally produced in accordance with sales forecasts. |
| NAR | Next Article (GS1 Permanent Code)<br>An indication that what follows is a set of linked articles, a certain number of these linked articles should be chosen.  |
| NBU | Not a base unit (GS1 Permanent Code)<br>Not the lowest level packaged unit for a given product, which may or may not be the consumer unit.   |

## Used Codes

---

|     |   |
|-----|---|
| NCU | Not a consumer unit (GS1 Permanent Code)<br>The current base item or packaging item is not a consumer unit, i.e. is not a pre-packaging that is intended and labelled or marked for consumers according to legal requirements.                    |
| ND  | Non divisible item (GS1 Permanent Code)<br>The item is not divisible.   |
| NDU | Not a despatch unit (GS1 Permanent Code)<br>The current base item or packaging item is not a regular logistical despatch unit, i.e. it is as a rule only delivered as many within a further repackaging, and not as an individual logistics item. |
| NFR | Not For Resale (GS1 Permanent Code)<br>Item is not for resale to consumer.  |
| NIN | Not an invoicing unit (GS1 Permanent Code)<br>The current base item or packaging item is not an invoicing unit of the data supplier, i.e. cannot be invoiced individually but only as one of many in a repackaging or transport packaging item.   |
| NLK | Not a bulk consumer unit (GS1 Permanent Code)<br>The item is not designed as a bulk consumer unit, i.e. to be sold mainly to hotels, restaurants, caterers, hospitals etc.  |
| NO  | Not an ordering unit (GS1 Permanent Code)<br>A package size of a product or products which may not be ordered.  |
| NOS | Yes, NOS item (GS1 Permanent Code)<br>The current item is an NOS (Never out of stock) article, that is continuously reordered and replenished.  |
| NOT | Not, not an NOS item (GS1 Permanent Code)<br>The current item is not an NOS (Never out of stock) article, therefore is not continuously reordered and replenished.  |
| NOV | Next option value (GS1 Permanent Code)<br>An indication that what follows is a set of linked option values, next option values, or parameters.  |
| NPC | Reusable container, but not standardized by a pool cooperative (GS1 Permanent Code)<br>Reusable container that is not standardized by a pool cooperative.   |
| NRC | Non-returnable container (GS1 Permanent Code)<br>The current product is not traditionally a traded product and does not need to be returned to the sender.  |
| NRE | Not a retail product (GS1 Permanent Code)<br>The current item is not meant for retail sale, but only for sale to hotels, restaurants and catering.  |
| NS  | Not smallest unit (GS1 Permanent Code)<br>Not the smallest unit for a given product.  |

## Used Codes

---

|     |   |
|-----|---|
| NSU | <p>Non-standard unit (GS1 Permanent Code)</p> <p>Products grouped together to fulfil specific ordering needs and not generally available.</p>   |
| NVQ | <p>Not a variable quantity product (GS1 Permanent Code)</p> <p>The current item is a variable weight trade item, for which the weight and the quantity is determined only by the buyer.</p>   |
| OP  | <p>Option (GS1 Permanent Code)</p> <p>An option within a Customer Specific Article which does not exist on its own, e.g. colour, and which has discrete values.</p>   |
| OPL | <p>Overall product level (GS1 Permanent Code)</p> <p>An overall level whereby many products are grouped on the basis of their composition, application and characteristics (e.g. Coca Cola with no size, packaging, price, etc, specified).</p> |
| OPV | <p>Option value (GS1 Permanent Code)</p> <p>The result of a choice of an option. The option value will be the lowest level of a branch beneath an option structure.</p>   |
| ORU | <p>Ordering unit (GS1 Permanent Code)</p> <p>Indication that the current product is an ordering unit (ordering unit will not normally equal invoicing unit).</p>  |
| PA  | <p>Numeric parameter (GS1 Permanent Code)</p> <p>An option of a Customer Specific Article which has a continuous numeric value, e.g., measurement of the length of a chair leg between 60cms and 80cms.</p>                                     |
| PAA | <p>Alpha-numeric parameter (GS1 Permanent Code)</p> <p>An option of a Customer Specific Article which has a continuous alpha-numeric value, e.g., words and numbers to be embroidered into a cushion cover.</p>                                 |
| PAD | <p>Promotional article description (GS1 Permanent Code)</p> <p>Description of a promotional article.</p>  |
| PAL | <p>Pallet (GS1 Permanent Code)</p> <p>A unit load that could contain multiple packages.</p>   |
| PAS | <p>Prepack assortment (GS1 Permanent Code)</p> <p>Contains multiple components, each of which represents a unique consumer unit item.</p>   |
| PIP | <p>Packer or inner pack (GS1 Permanent Code)</p> <p>A logistical unit or a consumer unit between a case and a each.</p>   |
| PPK | <p>Prepack (GS1 Permanent Code)</p> <p>Contains multiple components, each of which represents a unique consumer unit item.</p>  |
| PR1 | <p>Bonus Pack (GS1 Permanent Code)</p> <p>The free quantity promotional trade item contains free additional quantities. The additional quantity is written on the package as free.</p>  |



## Used Codes

---

|     |  |
|-----|--|
| PR2 | <p>Free components (GS1 Permanent Code)</p> <p>It contains free included components or material. The price is lower since the trade item includes a part of its content free. The free quantity is written on the package.</p>   |
| PR3 | <p>Free quantity (GS1 Permanent Code)</p> <p>It contains free quantity, a "special offer" sticker on the package indicates the promotional offer but the free quantity is not written on the package. If the free quantity promotional offer results in a change of GTIN and the quantity of product is the same as the standard trade item, it qualifies as a free quantity promotional trade item. The linkage has to be provided.</p> |
| PR4 | <p>Multi-pack and combination pack (GS1 Permanent Code)</p> <p>It is a promotional grouping with included free quantity. The grouping is created for promotional activities only. In the grouping a part of the quantity is free.</p>  |
| PRO | <p>Programme (GS1 Permanent Code)</p> <p>A programme within a Customer Specific Article which does not exist on its own.</p>   |
| PWP | <p>Purchase with purchase (GS1 Permanent Code)</p> <p>A trade item sold to a consumer at a special price as part of a promotional event, contingent on the consumer purchasing another item or items.</p>  |
| RC  | <p>Returnable container (GS1 Permanent Code)</p> <p>The current product is not traditionally a traded product but one which should be returned according to separate instructions.</p>   |
| RD  | <p>Refundable deposit item (GS1 Permanent Code)</p> <p>Item is subject to a refundable deposit.</p>  |
| RE  | <p>Retail product (GS1 Permanent Code)</p> <p>The current item is meant for retail sale only, and not for sale to hotels, restaurants and catering.</p>  |
| RPC | <p>Reusable pool container (GS1 Permanent Code)</p> <p>Reusable container standardized by a pool cooperative.</p>  |
| SER | <p>Service (GS1 Permanent Code)</p> <p>A code identifying the current item as a service (i.e. not a physical product).</p>   |
| SG  | <p>Standard group of products (mixed assortment) (GS1 Permanent Code)</p> <p>A standard package containing different products enabling the package to be ordered, delivered and invoiced.</p>  |
| SMR | <p>Summer (GS1 Permanent Code)</p> <p>Summer season.</p>   |
| SPK | <p>Setpack (GS1 Permanent Code)</p> <p>Contains multiple components, each of which represents a unique consumer unit item.</p>   |

## Used Codes

---

|     |  |
|-----|--|
| SPR | Spring (GS1 Permanent Code)<br>Spring season.  |
| SU  | Smallest unit (GS1 Permanent Code)<br>The smallest usable or tradeable size or unit for a given product.   |
| TU  | Traded unit (GS1 Permanent Code)<br>The package size of a product or products which has been agreed by trading partners as the size which may be ordered, delivered and invoiced.                      |
| UNI | Unisex (GS1 Permanent Code)<br>No gender.  |
| VQ  | Variable quantity product (GS1 Permanent Code)<br>Product is used or traded in continuous rather than discrete quantities.   |
| WNT | Winter (GS1 Permanent Code)<br>Winter season.  |
| XX1 | Count (GS1 Permanent Code)<br>The measure applied to price is count.   |
| XX2 | Area (GS1 Permanent Code)<br>The measure applied to price is area.   |
| XX3 | Weight (GS1 Permanent Code)<br>The measure applied to price is weight.   |
| XX4 | Volume (GS1 Permanent Code)<br>The measure applied to price is volume.   |
| XX5 | Length (GS1 Permanent Code)<br>The measure applied to price is length.   |
| XX6 | Loose (GS1 Permanent Code)<br>A trade item which is without packaging at the retail level.   |
| XX7 | Pre-packed (GS1 Permanent Code)<br>A variable-measure trade item which is provided with packaging that is assembled or produced by the supplier or by the retailer in advance of sale to the consumer. |
| XX8 | Fixed discount coupon on item price (GS1 Permanent Code)<br>A discount coupon that can be redeemed at the point of sale for a fixed amount when purchasing a specific item/brand/range.                |
| XX9 | Fixed discount coupon on purchase amount (GS1 Permanent Code)<br>A discount coupon that can be redeemed at the point of sale for a fixed amount on the total amount of the purchase.                   |
| XY1 | Percentage discount on item price (GS1 Permanent Code)<br>A discount coupon that can be redeemed at the point of sale for a percentage of the specific item/brand/range value.                         |

## Used Codes

---

|             |   |
|-------------|---|
| XY2         | Percentage discount on purchase amount (GS1 Permanent Code)<br>A discount coupon that can be redeemed at the point of sale for a percentage of the total amount of the purchase.  |
| XY3         | Meal voucher (GS1 Permanent Code)<br>Fixed amount voucher that can be redeemed at foodservice industry.   |
| XY4         | Limited Edition (GS1 Permanent Code)<br>A product with limited edition is restricted in the number of copies produced, although in fact the number may be very low or very high. A special edition implies there is extra material of some kind included. |
| XY5         | One Shot Product (GS1 Permanent Code)<br>The trading partners agree to supply/buy this product only once. Afterwards this product will not be supplied/bought any more.   |
| XY6         | Fee (GS1 Permanent Code)<br>Code identify the GTIN of LIN segment as being fees.  |
| XY7         | Brokerage (GS1 Permanent Code)<br>Code identify the GTIN of LIN segment as being brokerages.  |
| XY8         | Transport medium unit (GS1 Permanent Code)<br>Code identify the position as a Transport Medium Unit (Pallet, Container, ...).   |
| XY9         | Counted measurand factor (GS1 Permanent Code)<br>Factor for price calculation of energy products, e.g. gas, fuel.   |
| XZ1         | Standard condition conversion (GS1 Permanent Code)<br>The ratio of a product volume (e.g. gas) in standard conditions to the volume in the operating state.   |
| XZ2         | Calorific value (GS1 Permanent Code)<br>The calorific value of a fuel indicates the amount of heat generated by the combustion and subsequent cooling of the combustion gases at 25 degrees Celsius.  |
| XZ3         | Food contact allowed (GS1 Temporary Code)<br>The trade item is allowed to have direct contact with food.  |
| XZ4         | Food contact not allowed (GS1 Temporary Code)<br>The trade item is not allowed to have direct contact with food.  |
| <b>7077</b> | Description format code<br>Code specifying the format of a description.   |
| B           | Code and text<br>Description of an item in coded and free form text.  |
| C           | Code (from industry code list)<br>Description of an item in coded format.<br>GS1 Description:<br>Description of an item provided in coded format from an industry list.   |

**Used Codes**

|             |  |
|-------------|--|
| D           | Free-form price look up<br>Price look-up description of a product for point of sale receipts.  |
| E           | Free-form short description<br>Short description of an item in free form.  |
| F           | Free-form<br>Description of an item in free form text.<br>GS1 Description:<br>Item related general free form text description, which is neither a short or long description of the item itself.  |
| S           | Structured (from industry code list)<br>Description of an item in a structured format.   |
| <b>7081</b> | Item characteristic code<br>Code specifying the characteristic of an item.   |
| 2           | General product form<br>Description of general product form.   |
| 3           | Ship to stock<br>Product without quality control when received.  |
| 4           | Finish<br>Description of the finish required/available on the product.   |
| 6           | Construction method<br>Description of the method of construction.  |
| 13          | Quality<br>The degree of excellence of a thing.<br>GS1 Description:<br>Characteristics to be described refer to the quality of the item.   |
| 27          | Material description<br>Description of material used to manufacture a product.<br>GS1 Description:<br>Free text description of the materials of which the article is composed.   |
| 31          | European Community risk class<br>European community classification "CE" indicating the safety risk of an article.<br>GS1 Description:<br>European commission classification indicating the safety risk of an article (also called CE-mark or CE-risk class). |
| 35          | Colour<br>Description of the colour required/available on the product.   |

**Used Codes**

|    |  |
|----|--|
| 38 | Grade<br>Specification of the grade required/available for the product.<br>GS1 Description:<br>Specification of the grade required/available for the product, e.g. the grade of fruit.   |
| 44 | Further identifying characteristic<br>Description of further identifying characteristic of a product which enables the product to be distinguished from any similar products.<br>GS1 Description:<br>Extra descriptive information in free text which makes it possible to distinguish almost, but not completely, similar articles. |
| 45 | Private label name<br>Describes the private label name of a product.   |
| 46 | Silhouette<br>Describes the outline of the item.   |
| 47 | Warranty type description<br>The warranty type description of the item.  |
| 48 | Yarn count<br>Describes the fineness of the yarn in the cloth.<br>GS1 Note: Replaces GS1 Temporary Code U07.<br>EDIFACT  |
| 61 | New article<br>The characteristic of a new item or commodity.  |
| 72 | Vintage<br>The harvest year of the grapes that are part of the composition of a particular wine.   |
| 75 | Artist<br>The performing artist(es) of a recorded song or piece of music.  |
| 76 | Author<br>The author of a written work.  |
| 77 | Binding<br>A description of the type of binding used for a written work.   |
| 78 | Edition<br>Description of the edition of a written work.   |
| 79 | Other physical description<br>Any other relevant physical description.   |
| 80 | Publisher<br>The publisher of a written piece of work as part of the item description.   |
| 81 | Title<br>The title of a work.  |

## Used Codes

---

|     |   |
|-----|---|
| 82  | Series title<br>Title of a series of works.   |
| 83  | Volume title<br>The title of a volume of work.  |
| 84  | Composer<br>The composer of a recorded song or piece of music.  |
| 85  | Recording medium<br>The medium on which a musical recording is made.  |
| 86  | Music style<br>The style of music.  |
| 87  | Promotional event<br>Describes the promotional event associated with a product.   |
| 98  | Size<br>Description of size in non-numeric terms.   |
| 120 | Chemistry<br>Code indicating the product's chemical characteristics.  |
| 126 | Pattern<br>Code indicating the product's pattern characteristics.   |
| 132 | Fabric<br>Code indicating the product's fabric characteristics.   |
| 169 | Market segment<br>Code indicating the market segment associated with a product.   |
| 171 | Physical form<br>Code indicating the physical form of a product.  |
| 196 | Additional sectorial characteristics<br>A code issued on a sectorial basis which identifies any additional characteristics of a product.                                      |
| 197 | Product data base management description<br>A description indicating how a product should be managed in a data base.  |
| 219 | Style<br>A kind, sort, or type that distinguishes one commodity from another commodity with similar characteristics.<br>GS1 Note: Replaces GS1 Temporary Code STE.<br>EDIFACT |
| 223 | Brand name<br>The brand name of an item.<br>EDIFACT   |

## Used Codes

|     |   |
|-----|---|
| ANM | Article name (GS1 Temporary Code)<br>The name of the product.   |
| AVI | Available for ordering (GS1 Temporary Code)<br>Goods are available for ordering.  |
| BPD | Publication date (GS1 Temporary Code)<br>The publication date of a written work as an element of the description.   |
| BVP | Volume or part number (GS1 Temporary Code)<br>The volume or part number of a written work.  |
| DSC | Description (GS1 Temporary Code)<br>A non-structured description of a product.  |
| ECO | ECO labelling description (GS1 Temporary Code)<br>Description of ECO labelling.   |
| EDS | Expiry date surpassed (GS1 Temporary Code)<br>The expiry date for goods has been surpassed.   |
| FGT | Fishing gear type (GS1 Permanent Code)<br>Fishing gear type   |
| FN  | Functional Name (GS1 Temporary Code)<br>Describes use of the product or service by the consumer. Should help clarify the product classification associated with the GTIN. |
| FPC | Fish presentation code (GS1 Permanent Code)<br>Fish presentation code   |
| FQG | Fish quality grade (GS1 Permanent Code)<br>Fish quality grade   |
| FRZ | Freezing information (GS1 Permanent Code)<br>Freezing information   |
| FSS | Fish standardized size (GS1 Permanent Code)<br>Fish standardized size   |
| GDC | GIFAM fault code (GS1 Temporary Code)<br>A code used in the white goods industry to identify faults.  |
| GEO | Geographical area (GS1 Permanent Code)<br>Relevant geographical area.   |
| HAN | Handling instructions (GS1 Temporary Code)<br>A code identifying a coded description of handling instructions.  |
| HAZ | Hazardous material codes (GS1 Temporary Code)<br>A code identifying a coded description of hazardous materials.   |
| IDC | IRIS fault code (GS1 Temporary Code)<br>A code used in the brown goods industry to identify faults.   |

## Used Codes

|     |   |
|-----|---|
| IN  | Invoice name (GS1 Temporary Code)<br>Free form information provider assigned trade item description designed to match trade item/service description as noted on invoices.  |
| IRC | IRIS repair code (GS1 Temporary Code)<br>A code used in the brown goods industry to identify a repair required to correct a fault.  |
| ISC | IRIS section code (GS1 Temporary Code)<br>A code used in the brown goods industry to identify a section containing a fault.   |
| ISY | IRIS symptom code (GS1 Temporary Code)<br>A code used in the brown goods industry to identify a symptom of a fault.   |
| KEY | Keyword (GS1 Temporary Code)<br>A word which may used as a search key to select items from a product file. A keyword is usually a word which does not exist in the product description but may exist in information accompanying the product, e.g. Keyword = Absorbent, Product description = Gauze dressing, Product information = 1 Peelpack with 10 absorbent gauze dressings. |
| MNF | Manufacturer (GS1 Temporary Code)<br>The name of the manufacturer of the product which is printed on the product packaging.   |
| NAV | Not available for ordering (GS1 Temporary Code)<br>Goods are not available for ordering.  |
| OFS | Order Fulfilment Strategy (GS1 Temporary Code)<br>The method used by the supplier to fulfil a customer order for a particular product. Three strategies are recognised: Make to Order, Make to Stock and Engineer to Order.   |
| PR  | Product Range (GS1 Temporary Code)<br>A name, used by a BrandOwner, that span multiple consumer categories or uses. E.g. (Waist Watchers).  |
| PRO | Production Method (GS1 Permanent Code)<br>Production Method Characteristics.  |
| RLI | Rolling instructions (GS1 Temporary Code)<br>Instructions concerning the rolling of material, e.g. paper, plastic, carpet, etc.   |
| SB  | Subbrand (GS1 Temporary Code)<br>Second level of brand. Can be a trademark. It is the primary differentiating factor that a brand owner wants to communicate to the consumer or buyer.  |
| SBN | Primary differentiating factor that a brand owner wants to communicate (GS1 Temporary Code)<br>Second level of brand. Can be a trademark. It is the primary differentiating factor that a brand owner wants to communicate to the consumer or buyer. E. g. Yummy-Cola Classic. In this example Yummy-Cola is the brand and Classic is the subBrand.                               |



## Used Codes

---

|     |   |
|-----|---|
| SCT | Scientific name (GS1 Permanent Code)<br>The scientific name of a product.   |
| SDS | Shelf description (GS1 Temporary Code)<br>A description of the product for shelf edge labelling purposes.   |
| SGR | Size grid (GS1 Temporary Code)<br>Grid of sizes, containing for a certain type of size (e.g., womans, France, etc) each possible value of the size (e.g., 28, 30, 32, etc). |
| STE | Style (GS1 Temporary Code)<br>A code identifying the style of a product.<br>GS1 Note: Code marked for deletion. Use value 219 instead.                                      |
| TDS | Technical description (GS1 Temporary Code)<br>The technical description of a product.   |
| TPE | Article type (GS1 Temporary Code)<br>The article type allocated by the manufacturer to a product.   |
| U02 | Fiber (GS1 Temporary Code)<br>A code identifying the fiber contained in a cloth.  |
| U07 | Yarn content (GS1 Temporary Code)<br>A code indicating the yarn content of a fabric.<br>GS1 Note: Code marked for deletion. Use value 48 instead.                           |
| U08 | Roll pattern out (GS1 Temporary Code)<br>An instruction to roll the product with the pattern side facing out.   |
| U09 | Roll pattern in (GS1 Temporary Code)<br>An instruction to roll the product with the pattern side facing in.   |
| UP2 | Packaging language (GS1 Temporary Code)<br>Language used for package markings.  |
| UP4 | Promotional free goods (GS1 Temporary Code)<br>Free goods not associated to any other product given for promotional reasons.  |
| UP5 | Width or fitting (GS1 Temporary Code)<br>An indication of the width or fitting (e.g. wide, loose, etc.) of a shoe or textile product.                                       |
| UP6 | Material shoe upper (GS1 Temporary Code)<br>An indication of the material (e.g. leather, suede, canvas, etc.) used to construct a shoe upper.                               |
| UP7 | Material shoe sole (GS1 Temporary Code)<br>An indication of the material (e.g. leather, rubber, etc.) used to construct the sole of a shoe.                                 |
| UP8 | Material lining (GS1 Temporary Code)<br>An indication of the lining (e.g. silk, leather, etc.) of a shoe or textile product.  |

## Used Codes

---

|     |  |
|-----|--|
| UP9 | Shoe heel height (GS1 Temporary Code)<br>An indication of the height of the heel of a shoe.  |
| UQ1 | Base article exception rule (GS1 Temporary Code)<br>An indication that what follows is a base article exception rule.  |
| UQ2 | Orchestra (GS1 Temporary Code)<br>The Orchestra of a recorded song or piece of music.  |
| UQ3 | Conductor (GS1 Temporary Code)<br>The conductor of a recorded song or piece of music.  |
| UQ5 | Inspection agencies (GS1 Temporary Code)<br>Characteristics to be described refer to inspection agencies controlling the item described.   |
| UQ6 | Product without theft protection (GS1 Temporary Code)<br>The product is not fitted with a protection against theft.  |
| UQ7 | Product with theft protection, active (GS1 Temporary Code)<br>The product is fitted with a protection against theft that has been activated.   |
| UQ8 | Product with theft protection, inactive (GS1 Temporary Code)<br>The product is fitted with a protection against theft that has not been activated.   |
| WVL | Weight or volume loss (GS1 Temporary Code)<br>Goods have suffered a weight or volume loss.   |
| XX1 | Collar Type (GS1 Temporary Code)<br>Type of collar on the garment.   |
| XX2 | Sleeve Type (GS1 Temporary Code)<br>Type of sleeve on the garment.   |
| XX3 | Clothing Cut (GS1 Temporary Code)<br>Code identifying the clothing cut.  |
| XX4 | Non marked trade item components (GS1 Temporary Code)<br>Code identifying the of price by measure.   |
| XX5 | Campaign name (GS1 Temporary Code)<br>The type of a variable measure trade item.   |
| XX6 | Season name (GS1 Temporary Code)<br>Element defines the season applicable to the item.   |
| XX7 | Season parameter (GS1 Temporary Code)<br>Indication of the season, in which the trade item is available, i.e. assignment to one of the following collection periods: spring/summer, autumn/ winter or all year around. |

## Used Codes

---

|             |  |
|-------------|--|
| XX8         | Target Consumer Age (GS1 Temporary Code)<br>Identifies the target consumer age range for which a trade item has been designed.   |
| XX9         | Target Consumer Gender (GS1 Temporary Code)<br>Identifies the target consumer gender for which a product has been designed.  |
| XY1         | Link to external description (GS1 Temporary Code)<br>The link (e.g. URL) to the external description.  |
| XY2         | Additional Trade Item Description (GS1 Temporary Code)<br>Additional variants necessary to communicate to the industry to help define the product. Multiple variants can be established for each GTIN. This is a repeatable field, e.g. Style, Color, and Fragrance. |
| XY3         | Trade item group identification (GS1 Temporary Code)<br>The text description of the value represented by the trade itemGroupIDCode.  |
| XY4         | Price by measure type (GS1 Temporary Code)<br>Code identifying the of price by measure.  |
| XY5         | Variable trade item type (GS1 Temporary Code)<br>The type of a variable measure trade item.  |
| <b>7143</b> | Item type identification code<br>Coded identification of an item type.   |
| AA          | Product version number<br>Number assigned by manufacturer or seller to identify the release of a product.  |
| AC          | HIBC (Health Industry Bar Code)<br>Article identifier used within health sector to indicate data used conforms to HIBC.  |
| AQ          | Coupon number<br>GS1 Description:<br>A number identifying a coupon which is attached to the identified product.  |
| AT          | Price look up number<br>Identification number on a product allowing a quick electronic retrieval of price information for that product.  |
| ATC         | Therapeutic classification number (GS1 Temporary Code)<br>A code to specify a product's therapeutic classification.  |
| BAN         | Base article node number (GS1 Temporary Code)<br>A number which identifies a node within a base article configuration.   |
| BB          | Lot number<br>A number indicating the lot number of a product.   |

## Used Codes

---

|     |  |
|-----|--|
| BP  | <p>Buyer's part number<br/>Reference number assigned by the buyer to identify an article.<br/>GS1 Description:<br/>Reference number assigned by the buyer to identify an article.<br/>GS1 usage note:<br/>As the code values 'BP' and 'IN' are defined in the same way, it is recommended that the code value 'IN' be used to specify any article numbers assigned by the buyer.</p> |
| BRI | <p>Brick Code (GS1 Temporary Code)<br/>Global GS1 classification category code. Unique, permanent 10-digit key.</p>  |
| BU  | <p>Dye lot number<br/>Number identifying a dye lot.</p>  |
| BZ  | <p>Original equipment number<br/>Original equipment number allocated to spare parts by the manufacturer.</p>   |
| CG  | <p>Commodity grouping<br/>Code for a group of articles with common characteristics (e.g. used for statistical purposes).</p>   |
| DW  | <p>Drawing<br/>Reference number identifying a drawing of an article.</p>   |
| ECP | <p>ECLASS property (GS1 Temporary Code)<br/>Unique code which identifies the ECLASS classification property.</p>   |
| ECV | <p>ECLASS property value (GS1 Temporary Code)<br/>Value for a property according to the ECLASS classification.</p>   |
| EWC | <p>European Waste Catalogue (GS1 Temporary Code)<br/>Waste type number according to the European Waste Catalogue (EWC).</p>  |
| FS  | <p>Fish species<br/>Identification of fish species.</p>  |
| GAT | <p>GPC Brick attribute type (GS1 Temporary Code)<br/>Unique 8 digit code which identifies the Global GS1 classification.</p>   |
| GAV | <p>GPC brick attribute value (GS1 Temporary Code)<br/>Unique 8 digit code which identifies the Global GS1 classification attribute value</p>   |
| GB  | <p>Buyer's internal product group code<br/>Product group code used within a buyer's internal systems.</p>  |
| GD  | <p>Industry sector article group number/product classification code (GS1 Temporary Code)<br/>Sectoral product group or classification identification code. Administered by a sector specific agency.</p>   |
| GLN | <p>Global Location Number (GS1 Temporary Code)<br/>Unique location number assigned by a Member Organisation of GS1.</p>  |

## Used Codes

---

|     |  |
|-----|--|
| GMN | <p>Global Model Number</p> <p>The GMN is the GS1-identification key used to identify a product model or product family based on attributes common to the model or family as defined by industry or regulation.</p>                             |
| GN  | <p>National product group code</p> <p>National product group code. Administered by a national agency.</p>  |
| GU  | <p>Supplier's internal article group number/product classification code (GS1 Temporary Code)</p> <p>Product group or classification identification code within a supplier's internal system.</p>   |
| HS  | <p>Harmonised system</p> <p>The item number is part of, or is generated in the context of the Harmonised Commodity Description and Coding System (Harmonised System), as developed and maintained by the World Customs Organization (WCO).</p> |
| IB  | <p>ISBN (International Standard Book Number)</p> <p>Self explanatory.</p>  |
| IN  | <p>Buyer's item number</p> <p>The item number has been allocated by the buyer.</p>   |
| IS  | <p>ISSN (International Standard Serial Number)</p> <p>Self explanatory.</p>  |
| IT  | <p>Buyer's style number</p> <p>Number given by the buyer to a specific style or form of an article, especially used for garments.</p>  |
| LI  | <p>Line item number (GS1 Temporary Code)</p> <p>Number identifying a specific line within a document/message.</p>  |
| MF  | <p>Manufacturer's (producer's) article number</p> <p>The number given to an article by its manufacturer.</p>   |
| MN  | <p>Model number</p> <p>Reference number assigned by the manufacturer to differentiate variations in similar products in a class or group.</p>  |
| NB  | <p>Batch number</p> <p>The item number is a batch number.</p> <p>GS1 Description:<br/>Number supplementing the identification code of a product used to identify the specific production place and/or time of a product.</p>                   |
| PGC | <p>Price grouping code (GS1 Temporary Code)</p> <p>Number assigned to identify a grouping of products based on price.</p>  |

## Used Codes

---

|     |   |
|-----|---|
| PV  | <p>Promotional variant number<br/>The item number is a promotional variant number.</p> <p>GS1 Description:<br/>Number supplementing the identification code of a product and identifying that product as a variant of the standard product. To be used when the variation is not sufficiently significant to justify a change fo the main identification code of the product.</p> |
| RVM | <p>Restricted circulation variable measure number (GS1 Temporary Code)<br/>A number assigned to identify a restricted circulation variable measure item.</p>  |
| SA  | <p>Supplier's article number<br/>Number assigned to an article by the supplier of that article.</p>   |
| SN  | <p>Serial number<br/>Identification number of an item which distinguishes this specific item out of a number of identical items.</p>  |
| SPP | <p>Standard product also used in promotions (GS1 Temporary Code)<br/>Article number of a standard product which may temporarily also be used for promotional purposes, e.g. the physical product or price of the product does not change but a christmas tree is marked on the packaging to decorate the product for christmas.</p>   |
| SRS | <p>RSK number<br/>Plumbing and heating.</p>   |
| SRT | <p>IFLS (Institut Francais du Libre Service) 5 digit product classification code<br/>5 digit code for product classification managed by the Institut Francais du Libre Service.</p>   |
| SRU | <p>IFLS (Institut Francais du Libre Service) 9 digit product classification code<br/>9 digit code for product classification managed by the Institut Francais du Libre Service.</p>   |
| SRV | <p>GS1 Global Trade Item Number<br/>A unique number, up to 14-digits, assigned according to the numbering structure of the GS1 system. 'GS1' stands for the 'Global Standards One'.</p>   |
| SRX | <p>Slaughter number<br/>Unique number given by a slaughterhouse to an animal or a group of animals of the same breed.<br/>EDIFACT</p>   |
| SSS | <p>Distributor's article identifier<br/>Identifier assigned to an article by the distributor of that article.</p>   |
| SST | <p>Norwegian Classification system ENVA<br/>Product classification system used in the Norwegian market.<br/>EDIFACT</p>   |
| SSU | <p>Supplier assigned<br/>Product classification assigned by the supplier.<br/>EDIFACT</p>   |

## Used Codes

---

|     |   |
|-----|---|
| SSV | Mexican classification system AMECE<br>Product classification system used in the Mexican market.<br>EDIFACT   |
| SSW | German classification system CCG<br>Product classification system used in the German market.<br>EDIFACT   |
| SSX | Finnish classification system EANFIN<br>Product classification system used in the Finnish market.<br>EDIFACT  |
| SSY | Canadian classification system ICC<br>Product classification system used in the Canadian market.<br>EDIFACT   |
| SSZ | Dutch classification system CBL<br>Product classification system used in the Dutch market.<br>EDIFACT   |
| ST  | Style number<br>Number given to a specific style or form of an article, especially used for garments.   |
| STA | Dutch classification system CBL<br>Product classification system used in the Dutch market.  |
| STB | Japanese classification system JICFS<br>Product Classification system used in the Japanese market.  |
| STC | European Union dairy subsidy eligibility classification<br>Category of product eligible for EU subsidy (applies for certain dairy products with specific level of fat content).         |
| STD | GS1 Spain Classification<br>Product classification system used in the Spanish Market.   |
| STE | GS1 Poland classification system<br>Product classification system used in the Polish market.  |
| STF | Federal Agency on Technical Regulating and Metrology of the Russian Federation<br>A Russian government agency that serves as a national standardization body of the Russian Federation. |
| STG | Efficient Consumer Response (ECR) Austria classification system<br>Product classification system used in the Austrian market.   |
| STH | GS1 Italy classification system<br>Product classification system used in the Italian market   |
| STI | CPV (Common Procurement Vocabulary)<br>Official classification system for public procurement in the European Union.   |

## Used Codes

|     |  |
|-----|--|
| STJ | IFDA (International Foodservice Distributors Association)<br>International Foodservice Distributors Association (IFDA).  |
| STK | AHFS (American Hospital Formulary Service) pharmacologic therapeutic classification.<br>Pharmacologic therapeutic classification maintained by the American Hospital Formulary Service (AHFS).           |
| STL | ATC (Anatomical Therapeutic Chemical) classification system<br>Anatomical Therapeutic Chemical classification system maintained by the World Health Organisation (WHO).                                  |
| STM | CLADIMED (Classification des Dispositifs Médicaux)<br>A five level classification system for medical devices maintained by the CLADIMED organisation used in the French market.                          |
| STN | CMDR (Canadian Medical Device Regulations) classification system<br>Classification system related to the Canadian Medical Device Regulations maintained by Health Canada.                                |
| STO | CNDM (Classificazione Nazionale dei Dispositivi Medici)<br>A classification system for medical devices used in the Italian market.   |
| STP | UK DM&D (Dictionary of Medicines & Devices) standard coding scheme<br>A classification system for medicines and devices use in the UK market.  |
| STQ | ECLASS<br>Standardized material and service classification and dictionary maintained by ECLASS e.V.  |
| STR | EDMA (European Diagnostic Manufacturers Association) Products Classification<br>Classification for in vitro diagnostics medical devices maintained by the European Diagnostic Manufacturers Association. |
| STS | EGAR (European Generic Article Register)<br>A classification system for medical devices.   |
| STT | GMDN (Global Medical Devices Nomenclature)<br>Nomenclature system for identification of medical devices officially approved by the European Union.   |
| STU | GPI (Generic Product Identifier)<br>A drug classification system managed by Medi-Span.   |
| STV | HCPCS (Healthcare Common Procedure Coding System)<br>A classification system used with US healthcar insurance programs.  |
| STW | ICPS (International Classification for Patient Safety)<br>A patient safety taxonomy maintained by the World Health Organisation.   |
| STX | MedDRA (Medical Dictionary for Regulatory Activities)<br>A medical dictionary maintained by the International Federation of Pharmaceutical Manufacturers and Associations (IFPMA).                       |



## Used Codes

|     |   |
|-----|---|
| STY | Medical Columbus<br>Medical product classification system used in the German market.  |
| STZ | NAPCS (North American Product Classification System)<br>Product classification system used in the North American market.  |
| SUA | NHS (National Health Services) eClass<br>Product and Service classification system used in United Kingdom market.   |
| SUB | US FDA (Food and Drug Administration) Product Code Classification Database<br>US FDA<br>Product Code Classification Database contains medical device names and associated information developed by the Center for Devices and Radiological Health (CDRH). |
| SUC | SNOMED CT (Systematized Nomenclature of Medicine-Clinical Terms)<br>A medical nomenclature system developed between the NHS and the College of American Pathologists.   |
| SUD | UMDNS (Universal Medical Device Nomenclature System)<br>A standard international nomenclature and computer coding system for medical devices maintained by the Emergency Care Research Institute (ECRI).  |
| SUE | GS1 Global Returnable Asset Identifier, non-serialised<br>A unique, 13-digit number assigned according to the numbering structure of the GS1 system and used to identify a type of Reusable Transport Item (RTI).   |
| SUF | IMEI<br>The International Mobile Station Equipment Identity (IMEI) is a unique number to identify mobile phones.<br>It includes the origin, model and serial number of the device. The structure is specified in 3GPP TS 23.003.                          |
| UA  | Ultimate customer's article number<br>Number assigned by ultimate customer to identify relevant article.  |
| X10 | Lottery game number (GS1 Temporary Code)<br>The number of a lottery game.   |
| X11 | Lottery pack book number (GS1 Temporary Code)<br>The number of a lottery pack book.   |
| X12 | NABCA product code (GS1 Temporary Code)<br>NABCA code identifying alcoholic beverage brands and sizes.  |
| X13 | Waste type number (GS1 Temporary Code)<br>Identification of the type of item number. Notes: User or association defined code. May be used in combination with 1131/3055.  |
| X2  | Ear-tag number (GS1 Temporary Code)<br>Unique number given by a national authority to identify an animal individually.  |

**Used Codes**

---

|             |   |
|-------------|---|
| <b>9213</b> | Duty regime type code<br>Code specifying a type of duty regime.                 |
| 1           | Origin subject to EC/EFTA preference<br>Self explanatory.                       |
| 2           | Origin subject to other preference agreement<br>Self explanatory.               |
| 3           | No preference origin<br>Origin of the product is not subject to any preference. |
| 8           | Excluded origin<br>Origin of the product is excluded.                           |
| 9           | Imposed origin<br>Origin of the product is imposed.                             |

## Example

---

UNA:+. ?\*'

UNA:+. ?\*'

---

UNB+UNOA:4+4012345000009:14:1+4000004000002:14:4000004000099+20151013:10  
43+12345555+REF:AA++A+1+EANCOM-DISI+1'

UNB+UNOC:4+5412345678908:14+8798765432106:14+20020102:  
1000+12345555++++EANCOMREF 52'

---

UNH+1+SLSRPT:D:01B:UN:EAN007:X'

UNH+ME000001+SLSRPT:D:01B:UN:EAN007'

---

BGM+735::9:1+1+1'

BGM+73E::9+SDR1568+9'

---

DTM+137:19931103:102'

DTM+137:20021105:102'

DTM+356:2002100120021031:718'

---

RFF+CT:12'

RFF+CT:674430'

RFF+ALS:SDR5421'

---

DTM+171:19931001:102'

DTM+171:20021025:102'

---

NAD+BY+5099104000129::9+X::::X+B:B:B:B:1+C:C:C:X+D+E:23:2:X+F+GB'

NAD+SE+5456789000013::9'

NAD+CO+5412345000020::9'

---

CTA+OC+A:A'

CTA+SA+:R BOSQUET'

---

COM+12345:TE'

COM+004481754565:FX'

---

RFF+VA:87745411'

RFF+VA:87765432'

---

CUX+2:GBP:12+3:GBP:1:1+12'

CUX+2:EUR:10'

CUX+2:EUR:10+3:USD:11+0.90243'

---

DTM+134:19931025:102'

DTM+134:20020901:102'

---

LOC+121+5099104000221:23:9:A'

LOC+162+5412345000013::9'

---

DTM+90:19930601:102'

DTM+356:20021031:102'

---

LIN+1++1:SRV+1:1'

LIN+1++3323456007803:SRV'

---

PIA+1+1:AA:23:2+1:AA:23:2+1:AA:23:2+1:AA:23:2+1:AA:23:2'

PIA+1+AEX5421:IN'

PIA+5+2209953C001L:AC'

---

IMD+B+2:23:9+CU:23:9:A:A:AA'

IMD+C++CU::9'

---

RFF+CT:1'

**Example**

---

RFF+PL:658221'

---

ALI+AD+1+1+1+1+1+1'

ALI+++97'

---

MOA+1:12'

MOA+203:12500'

---

PRI+AAE:12.45:CT:NTP:1:KGM'

PRI+AAA:1500:CA:NTP'

---

PAI+1:10:3:23:2:1'

PAI+::10'

---

QTY+26:12:KGM'

QTY+153:140'

---

NAD+SE+545678900010::9+X::::X+1:1:1:1:1:1:1:1:1:1:1:1:23:2:X+1+AD'

NAD+SE+545678900010::9'

---

UNS+S'

UNS+S'

---

UNT+25+1'

UNT+27+ME000001'

---

UNZ+1+12345555'

UNZ+5+12345555'

---